

Quality Communications Equipment Since 1942

NEW RADIOS

Please call, or see our on-line catalog for full details on these exciting new models.

www.universal-radio.com



ICOM IC-R75 free UT-106 DSP, free Joe Carr Ant. book #3113 plus \$100-off coupon to 03/31/00!



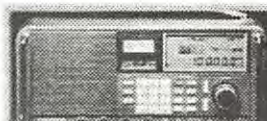
Yaesu VR-500 wide band coverage with HF SSBI



Palstar R30 made in Ohio, USA!



TEN-TEC RX320 top rated PC receiver



Grundig Satellit 800 a great value at under \$500.

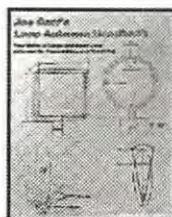
SANGEAN Radio



Are you tired of cheap sounding AM/FM radios with no pulling power? Then consider the Sangean CC Radio. This digital radio really receives AM and FM plus you get VHF TV audio (channel 2-12) and NOAA weather. Operates with supplied AC adapter or optionally with 4 C cells. With clock-alarm, five presets per band, Bass and Treble, Graphite Grey Model Order #0123 \$159.95 (+\$ UPS) Platinum Silver Model Order #0456 \$159.95 (+\$ UPS)



RX-340 **NEW**
Coming soon ... The new standard in commercial-grade H.F. receivers. Under \$4000.



JOE CARR'S LOOP ANTENNA HANDBOOK **NEW**

By Joseph Carr. Here is your complete, 133 page guide to understanding and building high performance large and small loop antennas. Various easy to build designs are offered for models covering longwave, medium wave, shortwave and even VHF. Chapters include: Loop Theory and Construction, Loop Projects, Quad Loop Beams, Small Loop Theory and Projects, Loopstick Antennas, Radio Direction Finding, Small Loop Pre-amplifiers and Commercial Products.

Order #0016 \$19.95 (+\$2)



JOE CARR'S RECEIVING ANTENNA HANDBOOK

By Joseph Carr. This guide to high performance antennas is written in Joe's clear, easy to understand, friendly style. Arguably the best book devoted to receiving antennas for longwave through shortwave. An excellent book for the shortwave listener who likes to experiment with different antennas. 189 pages.

Order #3113 ... \$19.95 (+\$2)

Buy BOTH Joe Carr books and save big!

Order #4120 \$29.99 (+\$4)

Shortwave Receivers Past & Present 3rd Ed.

This huge 473 page guide covers over 770 receivers from 98 manufacturers, made from 1942-1997. Entry information includes: receiver type, date sold, photograph, size & weight, features, reviews, specifications, new & used values, variants, value rating & availability. 120 new pages. Become an instant receiver expert! #0003 \$24.95 (+\$2)



Passport To World Band Radio 2000 New Edition

Graphic presentation of all shortwave broadcast stations. Equipment reviews, too. 592 Pages! #1000 \$19.95 (+\$2)

World Radio TV Handbook 2000 New Edition

All shortwave broadcast stations organized by country with schedules, addresses, power, etc. #2000 \$24.95 (+\$2)

Pirate Radio By A. Yoder With audio CD!

Here is the incredible saga of America's underground illegal broadcasters (with audio CD). 326 pages. #2008 \$24.95 (+\$2)

Worldwide Aeronautical Frequency Dir. By R. Evans

The definitive guide to commercial and military, HF and VHF-UHF aeronautical communications including ACARS. Second Ed. 260 Pgs. #0042 \$19.95 (+\$2)

Discover DX'ing! By J. Zondio New Second Edition

Hear distant AM, FM and TV stations. #0019 \$5.95 (+\$2)

Shortwave Listening Guide By H. Helms 2nd Edition

Here is understandable information on: selecting and operating a shortwave receiver, simple antennas, time stations, plates and much more. With informative tables and diagrams. 323 Pages. #2044 \$19.95 (+\$2)

Understanding ACARS. By E. Flynn Third Edition

Learn the ACARS aeronautical format. #0012 \$9.95 (+\$2)

Communications Receivers - The Vacuum Tube Era

By R.S. Moore Fourth Edition

Key facts, figures and photos for shortwave receivers of the Golden Era 1932-1981. 141 pages. #2045 \$19.95 (+\$2)

Please add \$2 per title for surface shipping.

www.DXing.com

- Glenn Hauser's Continent of Media
- Don Schimmel's Radio Intrigue
- Glenn Hauser's Shortwave DX Report
- Joe Carr's Tech Notes
- Favorite Tube Type SW Receivers
- Modern SW Receiver Survey

www.universal-radio.com

- Informative On-line Catalog
- Specialists and Close Outs
- Used Equipment Listing
- Customer Cats & Staff Cats

Universal Radio, Inc.
6830 Americana Pkwy.
Reynoldsburg, Ohio
43068-4113 U.S.A.
800 431-3939 Orders & Prices
614 866-4267 Information
614 866-2339 FAX
dx@universal-radio.com
www.universal-radio.com

Visa, Mastercard or Discover card.
Prices and specifications subject to change.



HUGE 120 PAGE CATALOG

Universal Radio's Catalog covers everything for the shortwave, amateur and scanner enthusiasts. With informative photos and full descriptions. To request your free copy please call toll-free:

1 800 431-3939

universal radio inc.
Quality Communications
Equipment Since 1942

Our good friend and esteemed colleague, **Dr. Harold Cones**, has just been selected by the State Council of Higher Education in Virginia as one of the top ten faculty members in Virginia. Dr. Cones is the proud recipient of a monetary prize, which I hope he intends to spend on his DX buddies provided Mrs. Dr. DX isn't watching too closely! Congratulations Harold on a job well done!

The 13th annual Winter SWL Festival is now history. About 150 hobbyists made the annual pilgrimage to Kulpsville once again to share a weekend with other like-minded folks. If you missed the highlight of the Kulpsville social season, you can have another chance at it next year. If you were present you were able to attend a variety of terrific seminars and presentations. In addition, **Victor Goonetilleke** of Sri Lanka was the Saturday Luncheon speaker and **Andy Sennitt** was the Banquet speaker. Congratulations to **Rich Cuff**, **John Figliozzi** (Executive Council had no problem extending their contract!) and the great group of helpers that brings together this annual tradition in the listening community. Everyone's efforts were greatly appreciated. Now is the time to begin planning to attend next year's extravaganza. Follow the Journal over the next year to keep tabs on the Winter SWL Festival as it gets near. You don't want to miss out!

A number of awards were handed out at this year's Winter SWL Festival. Executive Council felt it was time to annually recognize a member of the club for outstanding contributions to the club's overall well being. These contributions could be of any type from submission of material for publication in any/all columns, to actively promoting the club, to volunteering time and effort in making NASWA what it is today. Executive Council unanimously agreed that the member of the year award should be named after **Bill Eddings** who was the club's guiding light during much of the 1960s. On behalf of


the Executive Council and the entire membership of the North American Shortwave Association, I had the privilege to present the first *William P. Eddings Award* to our publisher and business manager, **Bill Oliver**. Bill has been the guiding light and a stabilizing force for the club during his more than two decades in these dual roles. Similar to Messrs. Cuff and Figliozzi, Executive Council had no problem extending Bill's contract for another twenty years! That wasn't the only award presented by the club at the 'Fest. **George Zeller** was the recipient of the special *DXpedition award* for inadvertently dismantling **Ed Mauger's** 984-foot monster antenna at a French Creek DXpedition in February. We presented George with a certificate and a beautifully gift wrapped pile of useless antenna wire; 984-feet worth to be exact. George certainly deserved it, hi! Last, but not least, **Mark Meece** and **Dave Marshall** on behalf of the Association of North American Radio Clubs presented the *Don Jensen Distinguished Service Award* for the year 2000 to **Sheldon Harvey** for his outstanding promotion of the listening hobby over the years. Congratulations Sheldon for a job well done!

Bob Padula (404 Mont Albert Road, Surrey Hills, Victoria 3127, Australia or E-mail: bpadula@compuserve.com) announces the availability of the ninth edition of the authoritative *Australasian Shortwave Guide* for the international broadcast period A-2000, effective March 26 to October 28. Now in its fifth year, the guide features: 24 A4 commercially printed and bound pages; English schedules of broadcasts to Australia, New Zealand, Asia, the Far East, the Indian sub-continent, Siberia and the Pacific; broadcasts in languages other than English for Australia, New Zealand and the Pacific. It contains over 1400 entries with information given in two Sections: by order of Studio Country and Starting Time, full data for Studio Country, Organization, Transmitter Site, Transmitter, Country, Start Time, End

Time, frequency, Target Zone, Broadcast Days, and general Notes. The price to Australian addresses: A\$10 and Elsewhere (airmail): A\$15-US\$10-10 IRCs. Payment can be made in cash (in any currency), personal check, bank check, cashier's check, traveler's check, postal order, international money order, international bank check, GIRO transfer, international reply coupons. Checks and orders must be in Australian dollars and drawn on Australian banks.

Finally, welcome aboard to our new Manager of the Company Store, **Bill Bergadano**

<ka2emz@cybercomm.net>. He replaces **Dan Cashin**—thanks for your efforts on behalf of the club Dan! If you haven't purchased the club's Country List and Awards Program booklet now is a good time. What better way to get to give the new guy the business? It is available from The Company Store (Bill Bergadano, P. O. Box 484, Colts Neck, NJ 07722) or headquarters. The price is US\$3.00 on North American and US\$5.00 worldwide.

That's it for this month. Enjoy this month's edition of the Journal; it's another good one. 

Musings

This column provides a forum where members can express comments, ideas, and thoughts about NASWA or the SW radio hobby. Please feel free to comment on anything presented this month (or previous months). Opinions expressed here are solely those of the submitters. Please submit all Musings to Richard A. D'Angelo, 2216 Burkey Dr., Wyomissing, PA 19610 or via email: rdangelo3@aol.com.

Dexter Ball <BallSAFL@aol.com>

Regarding Mr. Padula's letter on the changing nature of the hobby. Over the years I've never heard anyone describe what may be the largest segment of SWL. These are the people who don't write letters, attend conventions or have computers. They have a SW radio and get a lot of satisfaction and romance out of tuning in far-away stations. Some of them maybe even find their pastime more enjoyable now that it is losing listeners. Clubs and stations are closing down, few new radios are coming out and the average age is going up. This gives listening an added atmosphere of romance.

It's in the nature of organizations to be concerned with the well being of its members, in the SWL hobby, those people who hold office, write letters, edit columns, or vote. This is as it should be. But how many more SWLs are there who are invisible? Are these people half the total? More maybe? To take this one step further, one will never really find out about these people because they don't communicate. They aren't interested enough.

So everybody wrings their hands over this or that position about the future, yet nobody gives much thought to this unknown majority, if it is a majority, this incurably romantic group of middle-age men who listen once or twice a week to far-away stations.

Sincerely, Dexter Ball

Paul Brouillette, 611 Illinois Street, Geneva, IL 60134

Once again, I find myself with much to think about, having read Bob Padula's musing in the February *Journal*. Bob wrote at some length about the current state and future of the shortwave listening/DXing hobby, and the media by which hobby information and the broadcast programs they may eventually be distributed. He takes the currently popular "digital revolution" view. I certainly appreciate that, but would like to share some alternative views.

The Internet is fast becoming an all-pervasive medium in most developed regions of the world. It has the potential, in some cases, to replace print and radio media. However, in my opinion, it has a problem, and that is the lack of on-line privacy. Anyone who has listened to the news lately has heard of several spectacular thefts by hackers of huge volumes of on-line personal and financial information, and also the legal, but sometimes surreptitious, distribution and sale of individual information and "surfing habits" for marketing purposes. This is the state of things now, and I think it may be only the tip of the iceberg. The Internet has the potential to be the ultimate "Big Brother" surveillance tool.

What does this have to do with broadcast listening? You probably think you have nothing to hide. Well, if this is to be the medium of international broadcasting, there is a problem. Let's say that you live in a country with an oppressive government. You listen to a broadcast on the web from another country, the content of which is politically or socially unpopular with your government. Your government simply has to follow the digital trail between your computer and the website you are connected to, and then—well, you know the rest. Such a problem is very minimal with traditional radio broadcasting, since there is no record of having received a signal from an unpopular source, (Although that still hasn't stopped some governments in the past from arresting people anyway, just for possessing a shortwave receiver!) Political dissidents living under oppressive regimes can remain anonymous while listening to radio, but this is not so easy where a computer connection is involved. In a truly free society people must have a degree of anonymity, i.e. privacy.

Another problem with the Internet is that of expense. We hear all the time how information is available "free" on the net. But, computers, though getting cheaper every day, are still beyond the means of most people, globally speaking. And then there are the telephone and ISP fees. Unlike the hardware costs, these fees (the telephone ones anyway) are tending to go up quite rapidly in many areas. So, the cost savings realized by the use of the Internet apply to the originator of the information (broadcaster, newsletter publisher, etc.) and not to the user. In fact, the provider has actually pushed off most of their bother and expense to the user in both time and money spent downloading all this information, and printing a hardcopy of it if you want to "detach" it from the computer.

I am going to stick with traditional radio, and getting my hobby information from traditional print media, like *The Journal*, for as long as they exist. They have been with me for over 25 years, and it's what I enjoy. I would like to see all the options for obtaining information disappear and be replaced by a single, all-pervasive entity like the Internet. We are not gaining anything if we lose all the traditional options in favor of a monolithic new one that comes up short in many ways. For a couple of years, I used the net a lot, but grew tired of it. The sterile "virtualness" of cyberspace, the lack of getting anything physically tangible from it, combined with the expense and the lack of on-line privacy, I found to be frankly very bothersome. Yes, the message is most important, but in many ways the medium (or better, having a range of media choices) has equal importance.

As a footnote, Bob's article contained many comments about QSLing. I quite agree that QSLing could be a pointless and silly game, out-moded and old-fashioned, at least from the broadcaster's viewpoint. I still enjoy collecting QSLs, but not as "proof" of anything or as trophies, but as memories of pleasant hours by the radio learning about the world.

My reporting method has evolved over the years. Now, all my reports contain specific comments about programs as the main part, and the reception report as more of a sidebar. I will report on reception over a period of a week or two of regular monitoring. If you do this, the majority of stations gladly QSL, and often I receive extra souvenirs and sometimes-personal correspondence expressing positive feedback on the part of broadcasters. I respond

by continuing to provide further reports on program content, and any technical problems, which may rise with their transmissions. It takes more time and work than the old-fashioned, plain one-off reception report, but if stations are still kind enough to QSL, we at least owe them useful information.

By the way, I do not report via e-mail, for all the reasons discussed above. I know of no stations that accept exclusively e-mail correspondence; if there are any, then it is too bad that they don't want to hear from the majority of the world's population, who, believe it or not, still don't have access to e-mail!

Moe Keller, 4325 Iris Street, Wheat Ridge, CO 80033

I am a recent renewed NASWA member and enjoy reading the monthly bulletin, including your *Musings* column. Often I consider adding my two cents worth, but never seem to take the initiative to write. But the opinions expressed by Bob Padula in the February column supplied the get up and go that I needed!

I guess I am just an old fashion gal, but I love to scan the airwaves in search of that difficult to get station. Bob is right, I believe, that young people do not participate in the hobby any more, but then, young people don't join anything else either. I hope there will continue to be a place for those of us who love radio to continue to receive a wide array of stations to listen to. As for the monthly newsletter, it is the highlight of my mail. There is nothing I enjoy more than to sit back in the old armchair and read the Journal cover. For those of us who do not have the money or interest to get the Internet, the Journal is indispensable. This is a first rate service that I hope is never lost to club members like me.

Twenty-five years ago, when I was a member of a club and an avid DXer, there were so many more international stations to listen to. I must admit I share Bob's feelings of loss there. The big thing I notice in coming back to shortwave listening after all these years are the number of U.S. shortwave stations dominated by the religious right. Also, how outstanding the international radio programs are compared to the poor quality of American radio on all levels—AM, FM and shortwave. Shame on us.

Please keep up the good work in publishing the *NASWA Journal*—it means a lot to me!

Sincerely, Moe Keller

Bob Fraser, P. O. Box 174, Cohasset, MA 02025-0174

I always enjoy reading about members' DXpeditions, particularly the group that goes to the French Creek State Park.

Yet again, I read of another near tragedy—someone slips on the ice while rigging an antenna. After a nasty spill on the ice by myself, fortunately without harm, I bought a pair of ice creepers. A bad accident can ruin all fun in a hurry.

I also see that Fred Kohlbrenner seems to have become the chief cook and bottle washer on the DXpedition. Will we now see an additional column in the *NASWA Journal*—“Fred's Fine Food for DXing—Tasty Treats and Gourmet Snacks for the finicky SWLers?” I wonder if people going to French Creek from now on will attend more for the good food than the good DX.

73, Bob

Our Motto is - "Unity and Friendship"

Bill Bergadano <ka2emz@cybercomm.net >, P. O. Box 484, Colts Neck, NJ 07722

Hi from the new guy on the block. I have just taken over the reigns of the Company Store from Dan Cashin; in fact he turned it over to me at the 'Fest last week. I would invite you to help NASWA by purchasing items through the Company Store to help us help you by helping keep costs of membership down. So, I look forward to this exciting challenge and if you have any questions, don't hesitate to write (please enclose an SASE if possible).

73's, Bill

James Tobola KC5LDO, 312 Path Drive, Hewitt, TX 76643

I recently joined NASWA and wanted to comment on the quality of the *NASWA Journal*. It appears a lot of hard work goes into publishing the Journal including contributing members. I look forward to receiving it every month as I am always looking forward for new information.

I started out in SWL'ing a little over 30 years ago with a 1936 Zenith tombstone radio. I still own the radio and presently is in restored condition. I was pleased to see Skip Arey's name as I have read his articles for a big portion of those 30 years. I use a R390A receiver for my shortwave monitoring and remember Skip from the days of *The Hollow State Newsletter*. Shortwave listening led to me becoming a ham operator in 1994. While ham radio occupies some of my time I never left the hobby of SWL'ing and actually spend more time shortwave listening.

There has been a lot of discussion about the doom and gloom of shortwave radio with the world of communications changing so rapidly. While some changes will certainly affect us I still see enjoyment in the hobby for many years to come. Much of my enjoyment comes from antenna experiments and homebrewing radio equipment. There is a lot of pride and joy in building a radio from plans published 50 or 60 years ago and actually getting the project to work.

Until later, great DX & 73's! Jim

Richard A. D'Angelo <rdangelo3@aol.com>, 2216 Burkey Drive, Wyomissing, PA 19610

Congratulations to Rich Cuff and John Figliozzi on a very successful Winter SWL Festival. Rich and John are no strangers to 'Fest matters having served as the hospitality twins and as an integral part of the program for many years. This year they were the co-chairs of this event, which the club sponsored. I hope we see more and more club members attend each year.

73 -RAD

FRENDX: Twenty Five Years Ago....

Dan Ferguson announced that after two years, he has finally found someone to take over the work of handling NASWA HQDS and getting Friendx published and mailed. The May edition will be the last from Charleston, WV. Beginning in June, Alan Mayer of Park Forest, IL will do the publishing. Headquarters mail, renewal notices, etc will be handled by Mac Leonhardt. In the Shortwave Center, Dan Robinson shares his "Observations on a personal visit to Trans World Radio" in Swaziland while Dennis Patrick Driscoll writes about the Becker Reims Shortwave Adapter (Model #10) for the car. News about Portugal leaving the colony of Timor was featured in Dan Jamison's Listeners Notebook column.

Calendar Of Events

- Apr 21 Meeting. Philadelphia Area NASWA Chapter.** Kulpsville Holiday Inn, Kulpsville, PA at 7:30 PM. For more information contact Dan Cashin at 610-446-7831.
- Apr 21 Meeting. Boston Area NASWA Chapter.** The Lexington Club, Rts. 4 & 225, Lexington, MA at 7:30 PM. The location is 1/4 mile west of Rt. 128, Exit 31. For more information contact Paul Graveline at 978-470-1971 or Internet: 74007.3434@compuserve.com. The URL for the BADX guys is <<http://www.anarc.org/naswa/badx/>>.
- Apr 25 Meeting.** The **Central Indiana Radio Communications League** will meet at 5:30 PM at the Cozy Restaurant, 20 N. Pennsylvania Street, Indianapolis, Indiana. If interested, please contact Scott Newman (317) 327-5662.
- May'00 Annual General Meeting.** The **Danish Shortwave Club International** will hold its AGM and DX Camp at Vejers Beach, Western Jutland, Denmark from May 12-14, 2000. Contact Bent Nielsen (Egekrogen 14, DK-3500 Vaerloese, Denmark) for further details.
- May 12 Meeting.** The **Tidewater SWL's** meet at 6:30 PM. For more information plus meeting location contact Joe Buch at joseph.buch@dol.net
- May 12 Meeting.** The **Cincinnati/Dayton Monitoring Exchange (MONIX)** meet at the Lebanon Citizens National Bank on U.S. Route 42 in Mason at 7:00 PM. For more information contact Mark Meece at 513-743-8089 or e-mail at <mmeece@siscom.net>. For additional information about MONIX, check out their web site at <<http://www.siscom.net/~mmeece/monix.html>>
- Aug'00 DX Meeting.** The **6th National Mexican DX Meeting** will be held in Oaxaca, Mexico from August 4-6, 2000. For details contact the organizers at Miraizos@gnp.com.mx.
- Sep'00 Contest. AWR Contest.** Number of different QSL stamps in the listener's collection. More details to follow.
- Oct'00 Conference.** The annual **EDXC Conference** will be held in Barcelona, Spain from October 12-15, 2000 (temporary date until further notice). Details to follow.
- Mar 9-10 Convention.** The **14th Annual Winter SWL Festival**, sponsored by NASWA, will be held in Kulpsville, Pennsylvania (Exit 31 on the Northeast Extension of the Pennsylvania Turnpike). Richard Cuff and John Figliozi co-chair the organizational committee. It's never too early to begin planning. See you there!
- Mar '01 Contest. 2001 North American DX Championships.** For further information you can send a self-addressed stamped envelope to 2001 NADXC, c/o Dr. Harold Cones, 2 Whits Court, Newport News, VA 23606. Rules will also be posted eventually at <<http://www.anarc.org/>>, and are published in the Awards column in the Journal.

Members are invited to submit items to be included in this calendar to Rich D'Angelo (Internet: rdangelo3@aol.com) or Ralph Brandi (Internet: ralph@brandi.org).

Contribute!

Send your loggings and QSL information off to our Distributing Editor, **Fred Kohlbrenner** (2641 South Shields Street, Philadelphia, PA 19142). He will forward them to the appropriate editor. Remember, Fred has now expanded his business to include QSL report information and totals for the **Scoreboard** column. He can also be reached through the Internet at: fkohl@ix.netcom.com.

Easy Listening

Richard D. Cuff • 327 Springhouse Road, Apt. 102 • Allentown, PA 18104 • rdcuff@sprintmail.com

BBC World Service: New Schedules

The biggest news in April for program listeners is the major reshuffling of BBC World Service program schedules into 8 regional streams. The Americas now has its own program stream, instead of "sharing" one with Europe. Practically speaking, though, the time slots for non-news programs are reasonably consistent in the two services.

The BBC is also finally launching an all-news stream, primarily for rebroadcasters, that stream will be available via internet audio as well. Shortwave streams will be a mix of the news stream and feature programming, designed to provide programs with consistent subjects at consistent times during the day.

An example schedule, for the week of April 8th through April 14th, follows this column; you can consult this table to see if your favorites survived the reshuffling. It generally appears as though this consistency applies during local weekdays and weeknights, with different schedules on weekend days and evenings.

Less News is Good News

I pulled out my calculator and took a look at the news content in the new schedule versus the old schedule. For what it's worth, the new schedule actually has *less* news programming than the current schedule. The old schedule has 550 minutes of *World Today / Newshour / World News / Europe Today* out of the 24 hours total—roughly 38% of the day. The prime time block from 2300-0400 UTC has 115 minutes of news, or that same 38%.

Conversely, the new schedule has only 455 minutes of *World Today / World Briefing / World News / Europe Today* in the 24 hours, or 32% of the day. The 2200-0300

prime time block has 105 minutes of news, for 35% of the day. 60 of those minutes are in the 2200 edition of *World Today*, which is probably before most of us start listening. If you take that hour out, then you have 45 minutes of news in 240 minutes, or only 19% of the four hours in question. That's a great improvement, if you ask me, as most of us in North America probably would rather hear features than rolling news.

Gone Disney?

It struck me, as I was listening to Kim Elliott's interview with Penny Tuerk, Controller of the World Service, on the VOA's *Communications World* last week, that the BBC has gone to "themed" program blocks for its non-news programming. I get the feeling I'm strolling through Walt Disney World's EPCOT Center as I hear of program block titles like "World Living", "World Showcase", and "World Insight".

If you'd like a jazzier format than the Excel spreadsheet inserted here, you can obtain a PDF file containing the new World Service schedule to the Americas by sending a blank E-mail to worldservice@bbc.co.uk and typing "AM" in the subject line for the Americas schedule; thanks to Daniel Say for this information via the *swprograms* mailing list.

Another item Ms. Tuerk mentioned in her interview with Kim was that the Americas program schedules *will change* with summer time / winter time changes, but this will be the one-hour switch backward and forward, using the UTC clock, that many broadcasters utilize. Ms. Tuerk claims there will be no wholesale changes every six months, as had become the norm.

April Schedule highlights

Fridays, 1445, beginning April 7th: Where do the world's writers, cosmonauts, inven-

tors, politicians and even royalty go when they surf the net? *Electric Journeys* is a new eight-part, 15 minute series doubling compelling conversation with the best of the web. The series is a new BBC World Service series in which eight very different people take a personal and fascinating online journey across the internet, revealing their interests as they scour the web for sites that are of particular interest to them.

Fridays, 0045, beginning April 14th: The richness of Brazilian music is celebrated in *Brasil Dois Mil—Brasil 2000*, a new three-part, 30 minute international music series. Presenter Lucy Duran introduces improvised singing from countryside poets, music of the Afro-Brazilian religions that maintain traditions already lost in Africa, and the latest state-of-the-art styles like munge beat, that mix old local rhythms with rock, R&B, funk and drum-and-bass. "Nothing could have prepared me for the sheer power and diversity of the sounds that would hit me," says Duran. "This is a country that takes the cultivation of the body and spirit through music and dance to a fine art."

It struck me...that

the BBC has gone to "themed" program blocks for its non-news programming.

I get the feeling I'm strolling through

Walt Disney World's EPCOT Center

as I hear of program block titles like

"World Living", "World Showcase",

and "World Insight".

While on the subject of Brazil, *So Much Land, So Much Hope* is a two-part, 30-minute series airing 0130 Saturdays and 1530 Tuesdays on how hundreds of thousands of peasant families and rural workers in

Brazil are engaged in a long struggle to win the right to a plot of land. In the first of two programs, Sue Branford accompanies a group of landless peasants as they occupy a sugar plantation in the northeast of Brazil, defying gunmen sent in to stop them. *Suggestion: Mark this timeslot as a likely timeslot for general documentaries and features...*

For the first time in its history the first BBC Reith Lectures of the new millennium will be delivered by more than one Lecturer. *The Reith Lectures 2000—Respect for the Earth* has as its topic sustainable development, and each Lecturer discusses an area of his or her own expertise. I'm guessing this four-part series will air Mondays 0530 UTC, in the time slot normally reserved for *Play of the Week*, if the Americas schedule follows the pattern of the Europe schedule.

Plays of the Week, now airing at 2301 UTC Saturdays and 0530 UTC Sundays, include:

Sundays, April 9th and 16th: *Les Liaisons Dangereuses*—Lindsay Duncan, who made her name in the original Royal Shakespeare Company's stage production, recreates her role of the scheming Marquise de Merteuil in Christopher Hampton's much-praised two-part dramatization of the novel by Choderlos de Laclos.

Sunday, April 23rd: *Sweet Talk*, by the award-winning playwright Michael Abbensetts, is a riveting drama of race relations where the personal and political are hopelessly intertwined.

Sunday, April 30th: *Documents of Identity*, a powerful new radio drama by Nobel Prize winner Wole Soyinka, is an autobiographical account of events that took place between February and April 1997, under the regime of the former Nigerian dictator, General Sani Abacha. Paterson Joseph, Rakie Ayola, Claire Benedict and Patrice Naiambana star in the play by the Nigerian writer which highlights the plight of refugees seeking political asylum.

Other Seasonal Changes

Radio Australia

According to **Radio Australia** expert John Figliozzi, Australia's return to standard time won't change, but there are a few exceptions. *Australia All Over* will start one hour later Saturdays at 2000, continuing one hour later to 0000. The programs heard between 2300 and 0000, for the most part, will shift back to 1900-2000. *Grandstand* will also commence one hour later and end one hour later—running Saturdays from 0210 to 0800, and Sundays from 0310 to 0800.

Radio Netherlands

I guessed slightly wrong last month when I "opined" the new Radio Netherlands program schedule. The new program lineup in the two hour Eastern North America release at 2330 will look like this:

2330-0000 *Newsline with Press Review*

0000-0030 *Feature #1*

0030-0100 *Feature #2*

0100-0125 *Newsline*

For example, *Media Network* will now air Fridays 0000 and 0500 UTC.

World Hot Spots: Taiwan

China and Taiwan will be interesting places to monitor on radio in the next few months, following the Kuomintang's loss of the Taiwan presidency to a party more openly advocating Taiwan's independence. Since there are no official direct contacts between the two governments, it's likely that pontificating and posturing in radio broadcasts from **Radio Taipei International** and **China Radio International** will be the norm.

'Fest musings

It was great to meet many NASWANS at the Winter SWL Fest in Kulpsville last month. The Saturday afternoon roundtable with

international broadcasters showed that there remains a significant role for printed materials like the *Journal* and this column, though the immediacy and interactivity of the Internet can be critical for the dissemination of program information and listening tips which arrive with only a few days or hours to spare before a program goes on the air.

In the same vein, the broadcasters in attendance agreed that shortwave broadcasting continues to be a key component in their broadcasting mix, and won't be disappearing anytime soon. The broadcasters generally agreed that listener comments regarding program content remain a critical yardstick utilized to measure how effectively a broadcaster is reaching its audience. The broadcasters differentiate between schedule and QSL requests and programming comments in compiling these summaries.

swprograms: One Year Later

April 1st marks the one-year anniversary for our Internet mailing list discussion group on shortwave and other international broadcast programming. We are now at approximately 160 subscribers, and we've had several interesting discussions on shortwave programming strategies, most liked and least liked programs, and a generally more interactive exchange than is possible in a written scheduled publication like this. Clearly the discussion has met expectations, and we have a set of regular contributors I doubt many of us would have found if we hadn't set the list up. Check it out for yourself by sending a blank e-mail to swprograms-subscribe@topica.com or by visiting the URL <http://www.topica.com/lists/swprograms>.

Thanks to those who have recently dropped me a note; I'll catch up with feedback next month!

73 DE Richard



	Americas	BBC World Service Programme Schedule						
GMT	Saturday	Sunday	Monday	Tuesday	Wednesday	Thursday	Friday	GMT
0:00	World News	World Briefing	World Briefing	World News	World News	World News	World News	0:00
0:05	Meridian -	Sports Roundup	Sports Roundup	Meridian - Ideas	Meridian - Screen	Meridian - Music	Meridian - Writing	0:05
0:20	Masterpiece							0:20
0:30	Westway	Arts In Action	The World Today	The Music Mix: All Back To Mine	The UK Top Twenty	Westway	World Music: Brasil	0:30
0:45	Music X-Press: Revolver			The UK Album Chart	Dois Mil	0:45		
1:00	World News	The World Today	World News	World News	World News	World News	World News	1:00
1:05	Discovery: Science Friction	Reporting Religion	Wright Round The World	Health Matters: The Big C	Science View: Snapshots	Sports Int'l: Football In The East	One Planet	1:05
1:30	Essential Guide: Brazil - So Much			Everywoman	Focus On Faith	Pick Of The World	People & Places 1: Speaking Lives	1:30
1:45	Land, So Much Hope			Letter From America			People & Places 2: Electric Journeys	1:45
2:00	The World Today	The World Today	The World Today	The World Today	The World Today	The World Today	The World Today	2:00
2:30	World Business Report	From Our Own Correspondent	Assignment	World Business Report	World Business Report	World Business Report	World Business Report	2:30
2:45	Analysis			Analysis	Analysis	From Our Own Correspondent	Analysis	2:45
3:00	World News	World Briefing	World Briefing	World News	World News	World News	World News	3:00
3:05	Light Ent: Quote, Unquote	Sports Roundup	Sports Roundup	Omnibus: Alistair Cooke's Century	The Alternative: John Peel	The Greenfield Collection	Jazzmatazz	3:05
3:20								3:20

GMT	Saturday	Sunday	Monday	Tuesday	Wednesday	Thursday	Friday	GMT
3:30	Write On	Science In Action	Westway Omnibus	Body & Mind: Conflict Zone	Patterns Of Faith: A Place In Paradise	Plain English: The E Files	Heart & Soul: Yr Questions Of Faith	3:30
3:45	Off The Shelf			Off The Shelf	Off The Shelf	Off The Shelf	Off The Shelf	3:45
4:00	The World Today	The World Today	The World Today	The World Today	The World Today	The World Today	The World Today	4:00
4:30	Assignment	Global Business	Sports Roundup	Sports Roundup	Sports Roundup	Sports Roundup	Sports Roundup	4:30
4:50								4:50
5:00	World News	World News	The World Today	World News	World News	World News	World News	5:00
5:05	Meridian - Writing: Latin American Words	Wright Round The World	Play Of The Week	Meridian - Masterpiece: Best On Record	Meridian - Ideas: Round Table	Meridian - Screen: On Screen	Meridian - Music: Music Review	5:05
5:30	World Music: Brasil Dois Mil			Light Ent: Quote, Unquote	The Music Mix: All Back To Mine	The UK Top Twenty	Omnibus: Alistair Cooke's Century	5:30
9:00	World Briefing	World Briefing	World Update	World Update	World Update	World Update	World Update	9:00
9:15	Letter From America	Reporting Religion						9:15
9:30	Global Business	People & Politics						9:30
10:00	World Briefing	World Briefing	World Briefing	World Briefing	World Briefing	World Briefing	World Briefing	10:00
10:20	Sports Roundup	Sports Roundup						10:20

GMT	Saturday	Sunday	Monday	Tuesday	Wednesday	Thursday	Friday	GMT
15:05	Sportsworld	Concert Hall	One Planet	Discovery: Science Friction	Health Matters: The Big C	Science View: Snapshots	Sports Int'l: Football In The East	15:05
15:30			People & Places 1: Speaking Lives	Essential Guide: Brazil - So Much Land, So Much Hope	Everywoman	Focus On Faith	Pick Of The World	15:30
15:45			People & Places 2: Electric Journeys					15:45
16:00	World News	World News	Europe Today	Europe Today	Europe Today	Europe Today	Europe Today	16:00
16:05	Sportsworld	Sunday Sportsworld						16:05
16:30			World Business Report	World Business Report	World Business Report	World Business Report	World Business Report	16:30
16:45			Sports Roundup	Sports Roundup	Sports Roundup	Sports Roundup	Sports Roundup	16:45
22:00	The World Today	The World Today	The World Today	The World Today	The World Today	The World Today	The World Today	22:00
22:30	From Our Own Correspondent	Agenda					People & Politics	22:30
23:00	News Summary	The World Today	World News	World News	World News	World News	World News	23:00
23:05	Play Of The Week		Outlook	Outlook	Outlook	Outlook	Outlook	23:05
23:30		The Greenfield Collection						23:30
23:45			Patterns Of Faith: A Place In Paradise	Plain English: The E Files	Heart & Soul: Yr Questions Of Faith	Best Of The Edge	Body & Mind: Conflict Zone	23:45
GMT	Saturday	Sunday	Monday	Tuesday	Wednesday	Thursday	Friday	GMT

Shortwave Center

Jerry Lineback • 506 South Lawrence Avenue • Scranton, KS 66537 • jalinebk@satelephone.com

DX Target: Mongolia

A Look At Broadcasting In A Remote Asian Country

By Richard A. D'Angelo

One of the most isolated countries in the world is the Republic of Mongolia. Like Switzerland in Europe, this Asian country is land locked. After years of Communist dominated governments, Mongolia has now adopted a free market system. While not the most modern of countries, Mongolia is making great strides. Its broadcasting structure allows it to reach a significant portion of the world with its high-powered transmitters. In this DX Target, we take a look at the country and its broadcasting activities.

The Country

Mongolia is located in Central Asia and is bounded on the north by Russia and on the east, south, and west by China. The country, sometimes called by its former name, Outer Mongolia, has a total area of 1,565,000 sq km (604,250 sq mi). The capital and largest city of Mongolia is Ulaanbaatar (Ulan Bator). The population of the Republic of Mongolia (1993 estimate) was 2.2 million, yielding a meager overall population density of about 1.4 persons per sq km (about 4 per sq mi).

Mongolia consists mainly of a plateau between about 914 and 1524 m (about 3000 and 5000 ft) in elevation broken by mountain ranges in the north and west. The Altai Mountains in the southwest rise to heights above 4267 m (14,000 ft). The Gobi Desert covers a wide arid tract in the central and southeastern areas. Mongolia's climate is harsh, with temperatures ranging between -15° and -30° C (-5° and -22° F) in winter and 10° and 26.7° C (50° and 80° F) in summer. Winters are dry, and summer rainfall seldom exceeds 380 mm (15 in) in the mountains and 125 mm (5 in) in the desert.

The ethnic composition of Mongolia is fairly homogeneous. Khalkha Mongols constitute more than 75 percent of the population. Other groups are Buryat Mongols and Kazakhs. The country is about 58 percent urban. The traditional faith in Mongolia was Lamaist Buddhism, which was suppressed beginning in 1929. Only one small monastery remains, at Ulaanbaatar. Most of the people are now thought to be nonreligious or atheists. The Mongolian language is one of the Altaic languages.

The basis of the economy of the Republic of Mongolia is crop farming and livestock breeding. Manufacturing is devoted largely to the processing of agricultural and livestock products. In an attempt to increase industrial and agricultural production, a series of five-year plans were initiated in 1948 when the state controlled all industry and trade. In the mid-1980s the estimated gross national product was \$1.67 billion, or about \$880 per capita. Following the collapse of the USSR in 1991, Mongolia adopted a free market economy. The Mongolians are primarily herders, and a majority of the population is engaged in agriculture. The country has rich iron-ore deposits near Darhan and coal from mines near Ulaanbaatar and Darhan. Other minerals produced include copper, molybdenum, tungsten and fluorspar. Manufacturing is small and local in character but forms an important sector of the country's economy. The major products include building materials, processed food and alcoholic beverages, leather goods, woolen textiles, furs, and wood items. Most of Mongolia's trade is with the countries that made up the former USSR and other former Soviet-bloc countries. Since the early 1990s, Mongolia has made efforts to expand trade with other countries.

Ghengis Khan, was the founder of an empire, which reached well into Europe. Already before then, the Huns caused fear and trouble in China, Russia and Europe with a less organized army. The era of Ghengis Khan (1162-1227) was followed by many others, with the communist regime having left the latest important imprint in Mongolia's history. The communists liberated the country from Chinese oppression. Since 1921 they held power and maintained dependency from the former Soviet Union. Mongolia is a country undergoing substantial political and economic change in the aftermath of the resignation of the former communist government in 1990. Tourist and business facilities are being developed, but are not yet available in all areas of the country. Medical facilities in Mongolia are limited, and some medicines are unavailable. Infectious diseases, such as plague and meningococcal meningitis, are present at various times of the year.

In the elections of 1996, democratic forces managed to gain power in parliament. After many decades of communist power Mongolia finally made its way into democracy. The people elected both Parliament as well as the President of Mongolia democratically. However, the government faces many problems leading its country, whose mineral resources are difficult to access and whose export has to go through China and Russia, into an economically stable and independent country. Like Switzerland, Mongolia is surrounded by other countries, and has to rely on cooperation with its neighbors.

Radio and Television Broadcasting

Mongolian Radio and Television ("MRTV") is the state broadcaster of Mongolia and has three main units, namely Mongolian Radio, Mongolian Television and MRTV Technical Company. It also has Administrative, International Relations, Financial and Business and Maintenance Departments. MRTV started its broadcasting with radio in September 1934 and added Television broadcasting in September 1967. The main aim of MRTV is to disseminate information projecting all

spheres of Mongolian life. Let's take a look at each of these services with an emphasis on the external shortwave service from the Voice of Mongolia.

Mongolian Television

The 27th of September 1967 is the official birthday of Mongolian Television ("MTV", this is not the MTV my children watch). On that day, Mongolian families switched on their television sets for the first time and a new popular form of culture entered the lives of the Mongolians. Initially MTV broadcast a total of 10-12 hours in black and white, four days a week. In 1981 it switched to color and now transmits in SECAM. Today MTV broadcasts 132 hours, six days a week. Transmitting via INTELSAT-704 and by radio relay lines, the programs can be received across Mongolia although a lack of electricity restricts access in the more remote areas of the country. At present Mongolian TV produces about 2,000 program-hours annually. In 1997 it increased its program output to 10 hours a day.

Initially all programs were broadcast live but in December 1971 the Mongolian TV studios opened which enabled the pre-recording of documentaries and short films. This in turn enabled the broadcast schedule to become that much more varied and entertaining for the viewers. Since the 1980s Mongolian Television has been working with a new generation of equipment made in Japan, France and Russia and, along with a new TV center, made the transition to color possible.

Until the mid 1980's television programs were only watched by a small percentage of the population. In 1991 Mongolian Television began broadcasting via the Asiasat satellite and this enabled its programs to be received in even the remotest parts of Mongolia's vast territory. Today some 70% of the country's population is capable of watching the national television channel. Not much variety by our standards but a long way from what they are accustomed to in Mongolia. MTV broadcasts news, information and political reviews; it covers outside

events with live transmissions; it produces dramas and light entertainment shows.

Since its foundation MTV has been working to develop its international relations and co-operate with other international broadcasters. It has been a full member of the Asia-Pacific Broadcasting Union since January 1973. MTV broadcasts a total of 37 hours a week, six days a week. There is some 370-production staff, technicians and journalists working at Mongolian TV, many of whom have graduated from institutes and universities both at home and abroad. As well as broadcasting domestically produced material Mongolian TV also has program exchanges with Russian Public TV, NHK, CNN, ZDF and Deutsche Welle.

Mongolian Radio

Radio Mongolia is responsible for radio services throughout the country. Given Mongolia's scarce population and huge territory, radio broadcasting is the main means of mass information. Mongolian Radio started broadcasting on 1st September, 1934. Today it broadcasts 30 hours a day on two channels. National radio broadcasts from 6am to 11pm and Radio Mongolia also has an independent radio station called "Blue Sky" which broadcasts from 8am to 11pm.

Radio Mongolia is made up of five services: information, legal & political, business & socio-economic affairs, music & entertainment and the external service. About 20% of total broadcasting time is devoted to the news. Music, drama and light entertainment comprise 42.5% and current affairs and educational programs make up some 19.8% of airtime.

The external service of Radio Mongolia began broadcasting in 1964. Today it broadcasts eight hours a day in Mongolian, English, Japanese, Chinese and Russian to audiences in Asia, Europe, the CIS, the Far East and the Pacific. On shortwave, the Voice of Mongolia presents daily half-hour transmissions offering domestic news and various programs designed to provide information

about Mongolia and the Mongolians, their history, traditions, customs and way of life as well as modern and folk music. Radio Ulaanbaatar receives more than 3,000 letters a year from listeners in 80 countries.

Radio Mongolia maintains links with radio networks in over a dozen countries. It exchanges personnel as well as music and feature programs with the British Broadcasting Service, Radio France International, Voice of Russia, China Radio International, Radio Canada International and the Korean Broadcasting Service.

Voice of Mongolia

The Voice Of Mongolia is the overseas broadcasting service operated by Mongolian Radio and Television, a public service broadcaster of the Mongolian Government. Shortwave international broadcasting in Mongolia dates back over 30 years. The first broadcast in September 1964 was a half hour transmission in the Mongolian and Chinese languages, beamed to China. In the next few years, Mongolian international broadcasting expanded in terms of languages used, broadcast hours and target areas. The English service of Radio Ulaanbaatar, which was renamed The Voice of Mongolia on 1 January 1997, was launched on 29 January 1965. Today the output of the Voice of Mongolia consists of various programs designed to provide information about Mongolia and the Mongolians, their history, traditions and culture. Keeping to the new policy of the Mongolian Government, the Voice of Mongolia does not engage in propaganda, but in unbiased reporting. It broadcasts a total of 8 hours a day in 5 languages—Mongolian, English, Chinese, Russian and Japanese.

All of the Voice Of Mongolia's broadcasts come directly from its Khonkhor Transmitting Station, about 25 km east of Ulaanbaatar, Mongolia's capital. It broadcasts through Soviet-made 100, 250, and 500 kW transmitters and curtain antennas built in the mid-sixties. The station has received reports indicating that their transmissions beamed to East Asia provide fair reception in South

America, and the South Asian transmissions can be heard in Southern Africa and in Europe as well. The English language service can be heard from 1200-1230 UTC (to Australia) on 12085 kHz, from 1500-1530 UTC (to South Asia) on 9720 kHz and 12085 kHz, from 2000-2030 UTC (to Europe) on 9720 kHz and 12085 kHz. In North America, the 1200-1230 UTC English broadcast follows a Chinese language program and has been reliably received from time-to-time on 12085 kHz.

The Voice of Mongolia welcomes reception reports and comments about its programs. Recently, the station has begun acknowledging reception reports with their QSL card to confirm correct reports. As with most international broadcasters, your report should contain the UTC date and time of reception, the frequency on which the program was heard, a sufficient amount of program information so that the station can be sure that you heard its broadcast, a short description of the receiver and aerial used, and your full postal address as well as any suggestions, comments and criticisms you may have. The Voice of Mongolia prefers reports in SINPO code. Although the station readily accepts reception reports on cassette tapes, it cannot return the cassettes. The station asks that personal requests and comments should be written down on a separate sheet of paper so that the recorded

report is only a technical one. All reception reports and personal letters should be sent to the station's address marked for a particular language section (e.g. English Section). Send reception report to:

Voice of Mongolia
C.P.O.Box 365
Huvisgalyn Zam - 3
Ulaanbaatar - 13
MONGOLIA

The Voice of Mongolia is one of many international broadcasters with a presence on the Internet. Although the page is only in the early stages of development, the site offers promise to shortwave listeners with Internet capabilities. The station's website can be found at: www.mol.mn/mrtv/

Conclusion

Mongolia offers shortwave listeners an opportunity to hear an exotic country from a remote Asian location broadcasting in English. The Voice of Mongolia should be on the target list of any shortwave enthusiast that had not hear this country. As always, remember to send in those exotic Mongolian logs to either Sheryl Paszkiewicz or Wallace Tribel for the *Log Report* and those interesting and rare QSL verifications to Sam Barto for inclusion in the *QSL Report* column. Good luck with this DX Target.

A Brief History of the Voice of America

This is an edited version of an external publication of the Voice of America, available outside of the US. It appeared in the February, 1999, issue of Contact Magazine. Credits to Michael Murray, Mike Barraclough, Val Jones, and, of course, VOA.

Introduction: America's Voice on the International Airwaves

The Voice of America has carried United States, regional, and world news to listeners around the globe for more than 55 years. Founded less than three months after the United States entered World War II, the

Voice has been a beacon of hope for those deprived of news.

William Harlan Hale opened the first VOA broadcast on February 24, 1942, with the words, "The Voice of America speaks. Today, America has been at war for 79 days. Daily, at this time, we shall speak to you about America and the war, the news may be good or bad, we shall tell you the truth."

That willingness to report the news accurately and objectively, no matter what the subject, has been a basic philosophy for every VOA broadcaster. That is why VOA

Chapter 1: An American Voice Greets the World

reporters told the world about such stories as Vietnam, Watergate, and Iran-Contra. Its reporters have never shied away from the controversial. Instead, they have reported the news with the balance and objectivity that VOA listeners rely on. Present the facts of a news story and let the listeners decide.

Voice of America broadcasts originate from its headquarters building in Washington, DC, where staff prepare and broadcast news-casts, features, English-teaching programs, and music shows in 52 languages to audiences around the globe. VOA's Washington newsroom follows stories 24 hours a day, and a network of 40 VOA correspondents and 100 freelance reporters in major cities worldwide cover news events. Behind the scenes, engineers maintain broadcast equipment and provide the technical expertise to broadcast more than 700 hours of programming a week. A vast satellite network and a series of relay stations around the globe carry VOA programming to millions of listeners each day.

An estimated 83 million listeners tune in VOA's shortwave and medium wave broadcasts each week. A highly successful "affiliates" program has placed VOA-produced programming on more than 1,100 radio stations around the world. In 1994, VOA entered the world of television when it inaugurated "China Forum TV," a Chinese-language TV program beamed by satellite to viewers in the Peoples Republic of China. In 1996, a new television studio was completed, and VOA now simulcasts portions of some programs on radio and TV in such languages as Arabic, Bosnian, Chinese, English, Farsi, Serbian, and Spanish. VOA also puts audio and text on its Internet web site and has begun an aggressive targeted e-mail program in countries where the web site is blocked.

As the Voice of America evolves into a 21st century international broadcaster utilizing all of the latest technologies, we must not forget that the "Voice" started from very meager beginnings to become a voice of hope and freedom for many people whose governments told them only what they wanted them to hear.

In 1939, the American playwright Robert Sherwood, who would become a speech-writer for President Franklin Roosevelt and later, the "father of the Voice of America," predicted the impact of international broadcasting when he said: "We are living in an age when communication has achieved fabulous importance. There is a new decisive force in the human race, more powerful than all the tyrants. It is the force of massed thought-thought which has been provoked by words strongly spoken."

In that year, the United States was the only world power without a government sponsored international radio service. The Netherlands had been the first country to direct regularly scheduled broadcasts beyond its own borders, inaugurating shortwave programming to the Far East in 1927. Seeing radio as an instrument of foreign policy, the Soviet Union built a radio center in Moscow and was broadcasting in 50 languages and dialects by the end of 1930. Italy and Great Britain started their respective "empire services" in 1932, followed by France the next year. Nazi Germany built a massive network of transmitters in 1933 and began to beam hostile propaganda into Austria. the same year, Berlin started shortwave broadcasts to Latin America. Meanwhile, Japan was using radio to promote its national ambitions in the Far East.

Despite the efforts of many prominent figures, including New York Congressman Emmanuel Celler (who introduced bills in 1937, 1938, and 1939 to create a government station that could respond to German propaganda), the United States entered the 1940's with no plans to establish an official U.S. presence on the international airwaves. The United States' shortwave resources consisted of just over a dozen low-powered, commercially owned and operated transmitters.

In 1941, several of these private transmitters were leased by the U.S. Coordinator for Inter-American Affairs (CIAA) to broadcast to Latin America. In mid-1941, President

Roosevelt established the U.S. Foreign Information Service (FIS) and named speechwriter Sherwood as its first director. Driven by his belief in the power of ideas and the need to communicate America's views abroad, Sherwood rented space for his headquarters in New York City, recruited a staff of journalists, and began producing material for broadcast to Europe by the privately-owned American shortwave stations. Sherwood also talked with officials in London about the prospect for relaying FIS material over facilities of the British Broadcasting Corporation (BBC).

.....

In reality, we had little choice.
Inevitably the news that the
Voice of America would carry
to the world in the first half of 1942
was almost all bad.

.....

With Japan's attack on Pearl Harbor and Germany's declaration of war against the United States, Sherwood moved into high gear. He asked John Houseman, the theatrical producer, author, and director, to take charge of FIS radio operations in New York City.

In December, 1941, FIS made its first direct Broadcasts to Asia from a studio in San Francisco. On February 24, 1942, just 79 days after the United States entered World War II, FIS beamed its first broadcast to Europe via BBC medium and longwave transmitters. Announcer William Harlan Hale opened the German-language program with these words, "The Voice of America Speaks." The name took hold, and within a few months, it became the signature introduction on all Foreign Information Service broadcasts. From that moment, America had found its "voice" abroad.

Chapter 2: Let the Truth be Told

From the beginning, VOA promised to tell its listeners the truth, regardless of whether the news was good or bad. As John Houseman said later, "In reality, we had little choice. Inevitably the news that the Voice of

America would carry to the world in the first half of 1942 was almost all bad. As Japanese invasions followed one another with sickening regularity and the Nazi armies moved ever deeper into Russia and the Near East, we would have to report our reverses without weaseling. Only thus could we establish a reputation for honesty which we hoped would pay off on that distant but inevitable day when we would start reporting our own invasion and victories."

By June, 1942, VOA was growing rapidly and had a new organizational home—the Office of War Information (OWI). Twenty-three transmitters had been constructed and 27 language services were on the air when the Allied Summit took place in Casablanca.

Chapter 4: The Post-War Blues

As the war drew to a close, however, many of VOA's broadcast services were reduced or eliminated. Then in late 1945, a State Department appointed committee of private citizens chaired by Columbia University professor Arthur McMahon advised that the U.S. Government could not be indifferent to the ways in which our society is portrayed to other countries. Consequently, on December 31, 1945, VOA's and CIAA's broadcast services to Latin America were transferred to the Department of State, and Congress reluctantly appropriated funds for their continued operation in 1946 and 1947.

The reluctant support for international broadcasting disappeared in 1948. That year, members of Congress were heavily influenced by the escalation of the Cold War and hostile international broadcasts by the Soviet Union and Soviet-controlled countries. The Berlin Blockade in 1948 confirmed the need for an American radio voice to the world. The enactment of the Smith-Mundt Act that year permanently established America's international informational and cultural exchange programs, a function VOA has already been carrying out for the past six years on its own.

(To be continued.)



Listener's Library

T. J. "Skip" Arey N2EI • P. O. Box 236 • Beverly, NJ 08010 • tjarey@home.com

Well the Winterfest for 2000 is a pleasant memory. I did run across a couple of books worth mentioning but first I'd like to turn the type over to Rich D'Angelo for a few words about a book he enjoyed.

***Across Time and Space—Listening For Sixty Years From Four Continents*
By Tom Williamson
Reviewed by Richard A. D'Angelo**

Recently, I had the good fortune to come across an interesting book about the radio monitoring hobby written by a well-known DXpert, Tom Williamson. *Across Time and Space—Listening For Sixty Years From Four Continents* traces the author's career behind the dials from his early listening days in England, through the war years, during the immediate post-war years and concludes with his experience while DXing in Canada. It is a remarkable chronology of a remarkable DXer.

The book is not a slick, professionally bound masterpiece with high gloss photographs and a fancy cover. As you might expect from a seasoned DXer, *Across Time and Space* was produced in a manner that will remind you of old DX club bulletins. There are a few typos and some amateurish print layouts, however, that, in my opinion, adds to the charm and magic of the material. The book is essentially a history lesson about early broadcasting with emphasis on shortwave broadcasting. The book reflects the same "labor of love" attitude that we see in hobby publications. Although most hobby publications are slicker now than in the good old days, this one brings back the feel of the good old days.

Across Time and Space contains 101 pages in six chapters. The first chapter, *In The Beginnings 1935-1939*, touches on the author's first experiences with DXing. The *War Years 1939-1946* tracks the changes of the radio scene during this period. The *Brave New*

World 1947-1957 describes broadcasting and DXing in the post-war period, which includes Tom's stint in Libya during military service in 1949-1951. The forever-changing scene takes us through the chapter, the *Space Age 1957-1966*. His relocation to Canada and his DX experience from North America is discussed in the fifth chapter, *The Other Side of the Pond 1966-1990*. Finally, the book closes with the *Kawartha Days 1990-*, which takes us to the present. Throughout the book the author's relaxed, easygoing manner makes reading a joy. *Across Time and Space* is illustrated with QSL verifications collected during the author's 60-year listening career. There are many rare and usual cards, which one would expect from a listener of such note who has tuned the bands consistently for so many years.

Across Time and Space is must reading all radio monitors. The long time DXer will recall many of the events described in the book as well as recognizing many of the illustrations used so effectively. The casual or recent hobbyist will appreciate the history and the romance of radio from its humble early days. There is something for every radio monitors taste in this book. If you appreciate radio history, personal listening experiences of top-notch DXers and enjoy the memories old verifications cards can stir, I think you will find *Across Time and Space* invaluable and a must add for your DX library.

Across Time and Space—Listening For Sixty Years From Four Continents by Tom Williamson is available exclusively through the Ontario DX Association (Box 161, Station A, Willowdale, Ontario M2N 5S8 Canada) at a cost of \$18.00 Canadian or US\$12.50 plus \$7.00 Canadian or US\$5.00 shipping to the USA or \$8.00 Canadian or US\$5.50 shipping overseas. It's a quick enjoyable read that also makes an excellent reference for historical purposes. Tom Williamson's memoirs of a DXer should be in every DXer's library.

Now on to the "booty" from Kulpville. (Sorry, no Pirate Radio books but I couldn't resist the line)

As those of you who attended the "Scanner Scum" workshop found out. The future of VHF/UHF scanning involves Trunked Radio systems. Making sense of a trunked system can try the patience of even an experienced scannist. A listener needs all the help they can get.

Trunked Radio System Guide

by Tom Swisher WA8PYR

\$19.95

Available from

Universal Radio Inc.

6830 Americana Parkway

Reynoldsburg, OH 43068-4113

1-800-431-3939

Tom has been at the forefront of Trunked Radio System monitoring since even before scanners that regularly covered these systems came into the market. His latest edition of the Trunked Radio System Guide reflects his years of experience in this area. This expanded edition covers the United States and Canada. Of course it covers Motorola trunking systems but, with the advent of scanners that provide coverage for Ericsson/GE systems, the book goes on to give comprehensive information in these areas as well. The book is conveniently arranged by State and County, making it ideal for folks who use their scanners while traveling. Of course the book gives excellent frequency coverage, but it really goes the extra mile in giving detailed outlines of the various trunking systems "Talk Groups". This can be a rather confusing subject, especially for somebody first starting out with trunk system monitoring. In the opening section of the book, Tom does a very professional job of explaining the finer points of how trunked system scanning is done. He goes on to explain the various codes which are the key to getting the most from any trunk tracking scanner.

At the Winterfest Banquet, I was fortunate enough to win a couple of books from the prize table. One of these looks like a book I'll

throw into the car glove compartment before the family and I head out for vacation and other summer travels.

Radio On The Road: The Traveler's Companion: Second Edition

by William Hutchings

330 Pages

\$14.95 + \$3.00 S&H

ISBN 0-9648563-0-1

Arrowhead Publishing

PO Box 1619

Lake Arrowhead, CA 92352

1-800-431-7274

As a dedicated if occasional Medium Wave DXer, I am familiar with the books that are the tools of the trade such as the *National Radio Club Log*. The NRC Log is an excellent source but its large format does not suit its use as a travelers resource. Also, the NRC Log only covers AM and most travelers also enjoy the FM band. This book would make a great gift for any traveler, especially anyone who spends a great deal of time in the car. The book covers the United States and Canada listing over 15,000 stations. The book is organized by state and province. An interesting feature for the traveler is a page of practical information about each area including average seasonal weather conditions. If you've ever traveled north in the summer and forgot to pack the sweatshirts you will find this information even more useful than the radio station lists. The stations are listed by city followed by callsign, frequency and format. The book's only weak spot is the lack of cross referencing but then that would increase its size well beyond the trade paperback size and make it somewhat impractical for the traveler, the intended audience. A novel feature of the book, also geared to the traveler is a section that covers popular talk radio hosts, listing the various stations and times that they appear by way of syndication. Keeping a book like this timely is a difficult task due to format and callsign changes but with the release of subsequent editions it is clear that the author and publisher are intent on keeping *Radio on the Road* as up to date as the print medium allows.



Technical Topics

Joe Buch N2JB • P.O. Box 1552 • Ocean View, DE 19970-1552 • joseph.buch@dol.net

The NASWA Short-wave Simulator

Short-wave listeners have recently discovered the many radio stations, available free for the listening, via the Internet. With RealAudio's Real Player 7.0, and Windows Media Player software, streaming audio has never sounded better. Stations from all over the world are just a mouse click away. Some stations are even in stereo. CBC Radio Two from Toronto streams a beautiful stereo signal as do WQXR in New York and KING-FM in Seattle. All four BBC domestic radio services are now available 24 hours a day.

As more and more of us get cable TV modems or DSL service via our telephone lines, we can all listen 24 hours a day to any station of our choice. And we can listen at higher data rates than previously possible on ordinary dial-up modems. What a wonderful time to be alive.

But every sunny day has a dark cloud lurking just below the horizon. Something is wrong. While I was at the SWL Winterfest last year I became aware of an ominous trend among NASWA's program listeners. Can the sound actually be too good?

Many short-wave listeners have complained that audio via the web does not have the same thrill we have when listening via our radios. All stations are heard with approximately the same quality regardless of distance. There are no static crashes, jammers, co-channel interference, or selective fading effects induced by ionospheric multipath propagation. You don't get the feel that the station is broadcasting from the other side of the planet.

As a service to NASWA's program listeners, the NASWA Research Laboratory has once again come to the aid of the listening community. If you remember, a few months back, I described a software-implemented short-

wave simulator that was developed to expedite testing of various digital transmission modes for Digital Radio Mondiale. The program mathematically injected various forms of simulated degradation into the data stream so engineers trying to hammer out a universal digital transmission standard could assess the robustness of various approaches. Now, with the cooperation of Digital Radio Mondiale and Thomcast, the NASWA Research Laboratory has acquired rights to incorporate this software in a new device designed to restore the thrill of short-wave listening to the antiseptic sounds of Internet radio.

A block diagram of the system is shown in Figure 1. The audio output is sampled at the speaker output of your audio card. The audio passes through the NASWA Short-wave Simulator where various operator selectable degradations are mixed with the audio. At the output of the box the audio feeds a tiny three-inch diameter speaker designed to provide the distorted, tinny sound we all love from our cheap transistor portables. There is also a serial RS-232 interface to your computer which enables you to select the desired combination of interference sources via an on-screen mixer board.

As an extra cost option, there is a software plug-in module for Windows 95/98 that automatically downloads the latest A and K index observation data from Boulder. The data is transferred to the simulator via the RS-232 serial interface where it is used to set the severity of fading and flutter. The user must input data on receiver and transmitter latitude and longitude so the box can make appropriate choices depending on how close the simulated path comes to the polar auroral zones. At present there is no provision to simulate long delay echoes, or trans-equatorial E layer propagation. If market surveys show members want this feature,

the NASWA Research Lab will consider it for a later version release.

Because there are new sources of interference coming along all the time, the NASWA researchers decided to incorporate the patterns on flash memory modules. This means your simulator box will never be obsolete. When new sources of interference appear, just check into the NASWA web site and download the new update free. The NASWA software will automatically install the new data in the appropriate function generator module via the RS-232 serial interface.

Not to be outdone by Amazon.com, the NASWA Company Store is also jumping into the on-line sales business. If you go to this URL: <http://www.anarc.org/naswa/nrl/> you can see how to purchase the short-wave simulator with your credit card. Pennsylvania residents will automatically have sales tax added so be sure to provide an out-of-state shipping address so we won't know you live in Pennsylvania.

Be sure to visit the web page above to get price information and detailed specifications. Until next time, stay tuned.

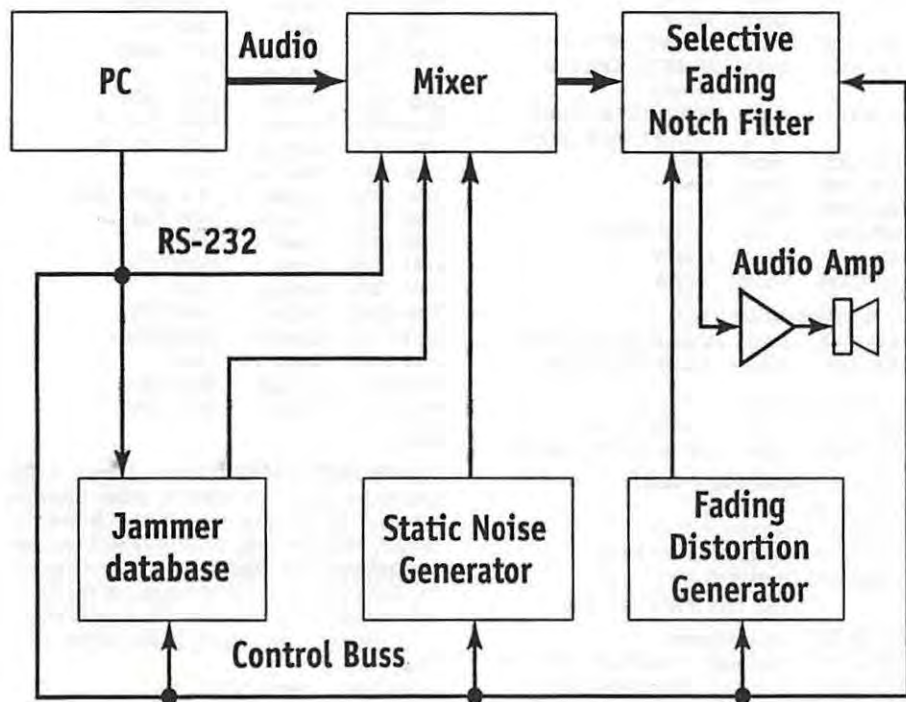


Figure 1 Functional block diagram of sw simulator. The modular design facilitates listening to Internet audio sources and makes them sound just like they were coming from your short-wave receiver.



Listener's Notebook

Al Quaglieri • P.O. Box 888 • Albany, NY 12201-0888 • FAX: (518) 453-0864 • al@alcue.com

COPYRIGHT NOTICE Items credited to BBCM are copyright by the BBC Monitoring Service and may not be reproduced without BBCM permission.

BELGIUM Radio Vlaanderen Internationaal, Summer 2000 sked: (26 March—28 October 2000)

Weekday schedule:

0400-0430	English	15565B
0430-0500	Dutch	15565B
0500-0600	Dutch	5985W 9925W
0600-0700	Dutch	5985W 9925W 13710W
0700-0730	English	5985W
0700-0800	Dutch	9925W 13710W
1100-1130	Dutch	9925W 13710W
1130-1200	English	9865P 9925W
1200-1230	Dutch	9865P 17690T 21630W
1600-1630	Dutch	9925W 13710W
1630-1645	French	9925W
1645-1700	German	9925W
1700-1730	Dutch	5910W 9925W 13710W
1730-1800	English	5910W 9925W 13710J 17735W
1800-1900	Dutch	5910W 9925W 13645M 13710J 15365W 17735J
1900-1915	French	5960J
1915-1930	German	5960J
1930-2000	English	5960J
2000-2100	Dutch	5910W 9925W
2230-2300	English	15565B
2300-2330	Dutch	15565B

Exceptions on Saturdays:

1800-1900	Dutch	13645M 13710J 17735J
1800-2000	Sport	5910W 9925W 15365W

Extra on Sundays:

1000-1100	Dutch	17690W 21630W
1300-1600	Sport	9925W 13710W 21630W

B= Bonaire, Netherlands Antilles

J= Jülich, Germany

M= Talata, Madagascar

P= Petropavlovsk-Kamtschatsky, Russia

T= Tashkent, Uzbekistan

W= Wavre, Belgium (Brems-BEL/Volk-GER)

BULGARIA Radio Bulgaria

0000-0100	Bulgarian	9400 9500 11600 11700
0100-0200	Spanish	9500 9700 11600
0100-0200	French	9400 11700
0200-0300	Russian	5900 7500
0200-0300	English	9400 11700
0300-0400	Bulgarian	5900 7500
0400-0430	Greek	7300
0415-0500	Turkish	6000 7400 Mo-Fr
0430-0500	Greek	7300 Sa/Su
0430-0500	Albanian	7300 Mo-Fr
0500-0545	German	12000 13600

0500-0600	Turkish	6000 7400 Sa/Su
0500-0600	Serbian	7300 Mo-Fr
0600-0700	French	12000 13600
0600-0700	Albanian	7300 Sa/Su
0700-0800	Serbian	7300 Sa/Su
1000-1100	German	15700 17500
1100-1200	English	15700 17500
1200-1500	Bulgarian	7300 13600
1400-1500	Russian	9900 11700 13800
1500-1545	Serbian	7300
1500-1600	Bulgarian	9900 11700 13600 17500
1545-1630	Albanian	7300
1600-1700	Spanish	15700 17500
1600-1800	Bulgarian	9900 11700
1615-1700	German	9400 11800
1630-1715	Greek	7300
1700-1800	French	9400 11800
1715-1800	Turkish	7400
1800-1845	German	9400 11800
1800-1900	Russian	9900 11700
1800-1900	Bulgarian	5900 7400 7500
1900-1945	Albanian	5900
1900-2000	English	7535 9400 11700
1900-2100	Bulgarian	7400 7500
1945-2030	Greek	5900
2000-2100	French	9400 11700
2030-2115	Serbian	5900
2100-2200	English	9400 11700
2115-2215	Spanish	11800 13800
2300-0000	Russian	11900
2300-0000	Spanish	9500 11600
2300-0000	English	9400 11700

(BBCM)

CLANDESTINE—AFRICA Radio Liberte broadcasts in support of the rebel Congolese Liberation Movement led by Jean-Pierre Bemba. It was first heard by BBC Monitoring in March 2000. It reportedly broadcasts from Gbadolite in the north-east of the Democratic Republic of Congo, on the border with the Central African Republic. Programming is in French, with some Lingala. English is from 1820-1900.

1806-2305 French 15725

(BBCM)

Contact: P O Box 411884, Craighall 2024, Johannesburg, South Africa E-mail: support@congo.co.za
Related websites: <http://www.congo.co.za> (Nick Grace, CRI, DX LISTENING DIGEST/Hauser-OK)

Voice of Peace and Democracy of Eritrea was first observed on 1st February 1999. It opposes the

Eritrean government and describes itself as a broadcast of the People's Democratic Forces of Eritrea. It is transmitted via the facilities of Voice of the Tigray Revolution, a pro-Ethiopian government station based in Mekele, capital of Tigray region in northern Ethiopia.

0315-0400 Tigrign./Kun. 5500 6315
 1420-1500 Tigrignya 5500 6315 Mo/We/Fr
 1420-1500 Kunaminga 5500 6315 Tu/Th/Sa

(BBCM)

CONGO—DEMOCRATIC REPUBLIC *Bunia* is broadcasting on both 3390 and 5066.3 simultaneously. *Bukavu* was heard on 6713. *Kinshasa* was heard on 15244.4. (Chris Greenway-UK reporting from Nairobi-Kenya, Mar 5, DX LD/BC-DX/Bueschel-GER)

6713, rebel-controlled station in *Bukavu* is being heard here. 7203 *RTNC-Lubumbashi*, no longer being heard. (BBC Monitoring via VOA CommWorld/BC-DX/Bueschel-GER)

6828 *Radio Candip* 1700-1900 in French and local lang. (Mahendra Vaghjee-MAU, Mar 8/BC-DX/Bueschel-GER)

15244.4 *Radio National Congolaise*. Very unusual to hear during my local late evening! French programming and AF mx, but not much else able to be made out at 0540. Poor. More correctly a presumed logging. Some fine loggings on the higher freqs well into the evening these past few days thanks to a solar flux over 200. (Volodya Salmaniw, Victoria BC, DX LISTENING DIGEST, Mar 4/BC-DX/Bueschel-GER)

DENMARK *Radio Denmark*

0030-0055 Danish 11635 13800 13805
 0130-0155 Danish 9985 11635 13800
 0230-0255 Danish 13800
 0330-0355 Danish 7465 11635 13800
 0430-0455 Danish 7465 9475 11635 13800
 0530-0555 Danish 7465 11615 13800
 0630-0655 Danish 7180 9590 13800 15705
 0730-0755 Danish 7180 9590 15705
 0830-0855 Danish 18910 18950
 0930-0955 Danish 18910 21755
 1030-1055 Danish 13800 21755
 1130-1155 Danish 13800 15735
 1230-1255 Danish 15735 17535 18950 21755
 1330-1355 Danish 9590 15735 17535 21755
 1430-1455 Danish 17505 18950
 1530-1555 Danish 13800 15735 17505
 1630-1655 Danish 12080 13800 21730 21755
 1730-1755 Danish 12080 15735 17505 21730
 1830-1855 Danish 7485 13800 13810
 1930-1955 Danish 7485 13800 15705 17505
 2030-2055 Danish 7485 9985
 2130-2155 Danish 11610
 2230-2255 Danish 11625 15735
 2330-2355 Danish 9935 11625 13805 15735

(BBCM)

ECUADOR HCJB schedule until October 29:

0000-0100	Spanish	6050 15140
0000-0230	Portuguese	11920
0000-0300	Quichua	3220
0000-0400	English	9745 15115 21455
0030-0100	French	9635
0100-0500	Spanish	6050 15140
0330-0430	Russian	11865
0400-0700	English	9745 15115 21455
0430-0500	Japanese	11960
0500-0515	Kikongo	15140 Mo-Fr
0500-0530	German	11875
0530-0600	Czech	11875 Su/Tu/We/Th/Sa
0530-0600	Slovak	11875 Mo/Fr
0630-0700	French	11875
0700-0730	Spanish	11875
0700-0900	English	11755 15150 21455
0800-0930	Portuguese	9745
0830-1000	Quichua	3220 6080 9765
0900-1100	English	11755 21455
0900-1100	Spanish	9780
0930-1000	German	11980
1000-1400	Quichua	3220 6080
1030-1100	Huarani	6050
1100-1300	Spanish	6050 11960 15140
1100-1530	English	12005 15115 21455
1130-1200	Japanese	15550
1300-1500	Spanish	6050 15140 17690
1500-1800	Portuguese	15295
1500-2130	Spanish	6050 15140
1530-1630	English	12005 15115
1600-1615	Tatar	11760R Fr/Sa
1600-1615	Tajik	11760R Tu/Th
1600-1615	Uzbek	11760R Mo/We
1600-1615	Bashkir	11760R Su
1615-1630	Georgian	11760R Su
1615-1715	Russian	11760R Mo-Sa
1630-1715	Russian	11760R Su
1715-1730	Ukrainian	11760R 500
1830-1900	Slovak	17795 21470 Mo/Fr
1830-1900	Czech	17795 21470 Su/Tu/We/Th/Sa
1900-1930	French	17795 21470
1900-2200	English	17660
1930-2000	German	17795 21470
2000-2030	French	17795 21470
2030-2100	Japanese	17795 21470
2100-2130	German	17795 21470
2100-2130	Quichua	3220 6080
2100-2230	Ukrainian	12020R 250
2130-2230	Spanish	6050 15140 17795 21470
2130-2400	Quichua	3220 6080 9745
2200-2300	Japanese	11680
2230-2300	Spanish	6050 15140
2300-2400	German	11980
2300-2400	Spanish	6050 15140 21455
2300-2400	Portuguese	11920

R=via Rampisham, UK (HCJB/Volk-GER)

EGYPT *Radio Cairo* External and Domestic Services:

0000-0030 Arabic 15590 17770
 0000-0030 English 9900

0030-0430	Arabic	9900 15590-(to 0045) 17770-(to 0045)	2215-2330 Portuguese 15420
0045-0200	Spanish	9475v 9740 11715	2300-2359 English 9900
0200-0330	English	9475	2330-2359 Arabic 15590 17770
0200-0500	VOArabs	9855v 15285	(BBCM)
0250-0600	Arabic-GS	9620 9770 9800 12050	ETHIOPIA <i>Radio Ethiopia</i> external service sometimes switches its 7165 transmitter to 7175 in order to jam Eritrea. Radio Ethiopia domestic service was heard on the listed 5990, 7110 and 9704.2 (though not on all freqs at the same time).
0500-1300	VOArabs	11980 15285	<i>Voice of Peace</i> continues to broadcast c at 1100-1200 on 9560 and 11801.9. However, the 1900 broadcast is no longer heard. (Chris Greenway-UK, Mar 5, DX LD/BC-DX/Bueschel-GER)
0600-1000	Arabic-GS	9620-(to 0700) 9800 11785 12050 15115 15475	GERMANY The complete <i>Deutsche Welle</i> sked:
1000-1200	Arabic-GS	9800 9850 11785 12050 15475	0000-0059 Russian 9640Tr 15135Tr 5925Sm
1015-1215	Arabic	17745	0000-0100 Russian 7105We 9690We 11975Vl 12045Pe
1100-1130	Arabic	17800	0000-0200 German 3995We 6075We 6075Si 6100We 7130Na 9545We 9730We 11785Ki 13780Si 15275Ki 15410An 17860Ki 17875Tr
1115-1215	Thai	17770	0100-0145 English 6040An 9640We 11810Sa 13720Si
1200-1300	Arabic-GS	9800 9850 11785 12050 15475 17670	0100-0150 Bengali 9615Tr 11965Tr 13690We 15370Ku
1215-1315	Malay	17770	0157-0400 German 9735Na
1215-1330	English	17595	0200-0245 English 9615Tr 11945Na 11965Tr 21560Ku
1300-1330	Persian	15160	0200-0355 German 11785Ki 11795Na
1300-1400	Arabic-GS	9800 9850 11785 12050 17670	0200-0400 German 3995We 6075An 6075Si 6075We 6100We 15205Tr 9735Na
1300-1600	Arabic	15220	0300-0345 English 9535Sa 9640An 11810Sa 13780Si 15105Bo
1300-1700	VOArabs	15285	0300-0400 Swahili 7225Ki 9565Ki 9765Ki 13690We
1320-1450	Indonesian	17770	0300-0400 Russian 5955We 7105We 9545We 11795We
1330-1430	Bengali	17595	0355-0555 German 7225Ki 9565Ki 9765Ki 13690We
1330-1530	Persian	11560	0400-0445 English 6075An 6075Si 6075We 9735Na 9735Na 13780Na
1400-1800	Arabic-GS	9800 9850 12050 17670	0400-0600 German 3995We 6100We 9640Sa 9700Ki 9735We 9780We 11820We
1500-1530	Azeri	9780	0430-0445 Ukrainian 9545We 11655We 999Gr
1500-1600	Hindi	17690	0500-0515 French 7225Ki 9565Ki 11785Ki 13720We
1500-1600	Pashto	17710	0500-0530 Russian 9545We 11655We
1530-1630	Afar	15155	0500-0530 Bulgarian 7190We 9750Na
1530-1630	Uzbek	9620	0500-0545 English 9670An 9785Si 11810We 11985Bo
1530-1730	Swahili	11975	0530-0600 Turkish 11865We 15105We
1600-1645	Zulu	11875	0545-0600 Albanian 7190We 9750Na
1600-1800	Turkish	6230	0555-0630 German 6075Si
1600-1800	Urdu	17690	0555-0800 German 6075We
1600-1800	Albanian	9950	0600-0615 Bosnian 7190We 9750Na
1630-1730	Somali	15155	0600-0645 English 13790Si 15275Si 17860We
1630-1830	English	15255	
1645-1730	Shona	11875	
1700-1800	VOArabs	9700 15285	
1730-1815	Ndebele	11875 15375	
1730-1900	Amharic	15155	
1800-1900	Russian	6120	
1800-1900	Italian	9988	
1800-2100	Hausa	15210	
1800-2300	Arabic-GS	9800 9850 12050	
1800-2330	VOArabs	9700 11665 15285	
1830-1915	Lingala	15255	
1830-1930	Wolof	15375	
1900-2000	German	9990	
1930-2030	Fulani	17840	
1930-2030	Bambara	15375	
2000-2115	French	9990	
2000-2200	Arabic	11990	
2030-2200	English	15375	
2030-2230	French	15335	
2100-2200	Yoruba	15210	
2115-2245	English	9990	

0600-0700	English	6140Ju	1200-1400	German	6075We 9545Na 9900Pe
0600-0800	German	9545Na 9690An 9735We 11795We 11865Na 11985An 13780We 17845Na 21600We 21640Tr			13720Ir 13780We 15480Mo 17560We 17740Ku 17845No
0615-0630	Serbian	7190We 9750Na	1230-1300	Croat	9650We 9770Na 11905We
0630-0700	Macedonian	7190We 9750Na	1300-1330	Bulgarian	15470We 17875Si
0700-0730	Hausa	13790Si 15275Si 17860We	1300-1330	Macedonian	9650Ju 9770Na 11905We
0700-0730	Croat	7190We 9650We 11905We	1300-1350	Chinese	9920Pe 15210Tr 15605No 17820Tr 21650We
0700-0800	English	6140Ju	1300-1350	Hausa	15410Ki 17570We 17800Ki 21745Ki
0730-0800	Albanian	7190We 9650We 11905We			
0800-0815	Dari	15525Kr 17570We	1300-1400	English	6140Ju
0800-0900	English	6140Ju	1330-1359	Turkish	11945We
0800-0955	German	11865Na 17845Na	1330-1400	Turkish	15535We
0800-0959	German	21640Tr	1330-1400	Dari	17835We 21600We
0800-1000	German	6075We 9545Na 9690An 9735We 11795We 13780We 15135Ki	1330-1430	Serbian	9650Ju 9770Na 11905We
			1400-1420	Pashto	17835We 21600We
0815-0830	Pashto	15525Kr 17570We	1400-1425	Indonesian	15470Tr 17820Tr 21650We 9670Tr
0830-0930	Romanian	11655We 15275Na	1400-1450	Amharic	11810Ki 15410Ki 21775We
0900-0930	Persian	17675Sm 17820We 21695We	1400-1500	Russian	9715We 9800Sm 11915We 17570We
0900-0930	Macedonian	9650We 11905We	1400-1500	English	6140Ju
0900-0945	English	6160An 9565Ki 15105Tr 15210Ta 15410Ki 15470Tr 17560Tr 17800Ki 21560Ku 21680We 21790We	1400-1600	German	6075We 9545Na 9655Tr 13780We 15275Na 15480Mo 17730An 17765An 17845Na 17845We 17875Sa 21560Ki
0900-1000	English	6140Ju			6170Tr 7225Tr 17595We
0930-1000	Serbian	9650We 11905We	1430-1515	Urdu	
0930-1050	Bulgarian	11655We 15275Na	1430-1530	Albanian	17835Si 21590Si
1000-1030	Turkish	13790We 15470We	1500-1600	Swahili	9735Ki 11810Ki 21775Na
1000-1050	Swahili	9565Ki 11785Ki 15410Ki 21600We	1500-1600	Russian	9715We 9800Sm 11915We 15425We
1000-1100	English	6140Ju	1500-1600	English	6140Ju
1000-1155	German	15135Ki	1500-1600	French	13790Si 15135Ki 17680We 21695We
1000-1200	German	6075We 9545Na 9900Pe 13720Ir 13780We 17560We 17740Ku 17845No 21640Tr 21680Na 21790We 21840Na	1515-1600	Hindi	6170Tr 7225Tr 17595We
			1530-1559	Macedonian	21590Si
			1600-1645	English	6170Tr 7225Tr 9735Ki 11810Ki 17595We 21775Na
1030-1055	Chinese	9450Pe 15105Tr 15610No 17715Tr 21695We	1600-1700	French	13790Si 15135Ki 17680We 21695We
1100-1130	Albanian	9650We 11905We	1600-1700	Russian	9715We 9800Sm 11915We 15425We
1100-1145	English	11785Ki 15410Ki 17680We 17860Ki	1600-1700	English	6140Ju
1100-1145	Indonesian	15105Tr 17820Tr 21650Na	1600-1700	German	17730An 17765An 17875Sa
1100-1200	Romanian	15470We 17610We			
1100-1200	German	15275Si	1600-1700	Serbian	7185We 17835Si
1100-1200	English	6140Ju	1600-1755	German	15275Na 17845Na 21560Ki
1130-1230	Bosnian	9650We 11905We	1600-1800	German	6075Si 6075We 9545Na 9655Tr 13780We 17845We
1155-1400	German	15135Ki			
1200-1230	Polish	17170We 9735We 9690We	1700-1759	Persian	17810We
1200-1300	English	6140Ju	1700-1800	French	15215We 15390Ki 17610Ki 17680We
1200-1300	French	13790Si 15545Ki 17570We 17680We 21745Ki	1700-1800	Persian	9835Sm 11705Kr 15360Na
1200-1300	German	15275Si	1700-1800	English	6140Ju
1200-1355	German	21640Tr 21680Na 21790We 21840Na	1700-1800	Russian	9715We 9715We 9800Sm 11915We 15425We
1200-1359	German	17730An 17730An	1730-1759	Albanian	11905We 15470Si 17835Si
			1755-2000	German	15275We
			1757-2000	German	6075We

1800-1859	Hausa	17730We	7260	1630-1645	Su/Fr TWR
1800-1900	English	6140Ju	7295	2200-2259	TOM
1800-1900	Hausa	11810Ki 15390Ki	9435	0100-0129	Su UNL
1800-1900	Russian	5980Na 9715We 9715We	9470	0500-0659	HIC
		11915We	9475	2100-2329	AWR
1800-2000	German	6075Si 6075We 7185Na	9490	0300-0459	Mo-Fr RTB
		9545Na 9735Ki 11765Tr	9490	1230-1300	Fr/Sa TWR
		11795We 13780We 17860Ki	9490	1230-1245	Su-Th TWR
1830-1859	Bosnian	13790Si 11905Si	9490	0430-0459	Sa/Su RTB
1900-1945	English	11785Tr 11810Ki 13720We	9610	0355-0630	SRI
		15390Ki 17810Tr	9650	1300-1430	DWL
1900-1957	Russian	5980Na	9855	0000-0100	LRT
1900-2000	Russian	9715We 11915We	9875	1600-1759	AWR
1900-2130	Arabic	7395Kr 9690We 11695We	9885	0025-0545	SRI SOT+
		13640Na 15230Si	9885	2155-2400	SRI SOT+
2000-2015	Serbian	6130We 13790Si	9925	0100-0259	HIC
2000-2045	English	7130We	9925	2300-0059	HIC
2000-2050	Portuguese	7285Ki 9875Ki 13780Tr	9925	0300-0459	HIC
		15390We 17765Tr	11705	2200-2215	Su/Mo/We/Fr RFL
2000-2155	German	11765Tr 17810An	11735	1830-1859	Th RRP
2000-2200	German	3995We 6075Si 6075We	11795	1700-1759	Sa GNW
		6075We 7185Na 9545Na	11805	2000-2059	HIC
		9735Ki 11795We 15275We	11840	1800-1829	Su UNL
		17810An 17860Ki	11970	0800-0859	Sa/Su AWR
2015-2030	Albanian	6130We 13790Si	13685	0825-1030	SRI SOT+
2100-2145	English	9670Tr 9765We 9875Ki	13710	1727-1856	VRT
		11865We 11915Tr 15135Ki	13740	0900-0959	Su GNW
2157-0000	German	9545We	13770	1825-2130	SRI SOT+
2200-0000	German	3995We 6075Si 6075We	13810	1300-1459	TOM
		6100We 9730We 11785Ki	13810	0800-0859	TOM
		11795No 11895Na 13690No	13810	1600-1659	TOM
		13780Si 15275Ki 15410An	13810	0600-0659	TOM
		17860Ki	13820	0700-0859	HIC
2200-2250	Indonesian	9815We 11915Tr	15105	1600-1659	Sa GNW
2200-2355	German	15250Tr	15105	1600-1629	Su UNL
2300-2345	English	9815We 12055No 13610Tr	15220	1625-1815	SRI
		21790Pe	15220	1825-2130	SRI
2300-2350	Chinese	11850Na 12005Tr	15315	0955-1230	SRI
		13640We 15605Ir 17570Ir	15330	1300-1359	Su GNW
An=Antigua Bo=Bonaire Gr=Grigoriopol Ir=Irkutsk			15545	0555-0815	SRI
Ju=Juelich Ki=Kigali Kr=Krasnodar Ku=Kunming			15560	2000-2059	AWR
Mo=Moscow Na=Nauen No=Novosibirsk Pe=Petrovav-			15560	2130-2159	AWR
lovsk Sa=Sackville Si=Sines Sm=Samara St=St. Peters-			15620	0700-0929	AWR
burg Ta=Talata Vo. Tr=Trincomalee We=Wertachtal			15715	1325-1629	VOH
(Volk-GER)			17550	1325-1629	VOH
			17570	1500-1712	Su-Fr RTB
Deutsche Telekom consolidated:			17570	1600-1712	Sa RTB
5840	0300-0359	AWR	17580	0500-0806	Su RTB
5850	1100-1659	TOM	17580	0500-0712	Mo-Fr RTB
5965	1857-1956	DWL (VRT)	17580	0500-0959	Sa RTB
5975	0700-1059	VOH	17580	1825-2130	SRI
5985	0900-0959	Su CHW	17640	1625-1815	SRI
5985	0900-0959	Sa GNW	17660	1800-1859	Su/Tu/Th AWR
5995	0900-0959	Sa GNW	17670	1355-1615	SRI SOT+
6015	1630-1659	Mo-We UNL	17685	0555-0815	SRI
6015	1830-1859	Sa UNL	17735	1727-1856	DWL (VRT)
6015	1630-1659	Th/Fr UNL	17750	1245-1345	DVB
6045	0645-0820	Fr TWR	21565	1100-1117	Su RTB
6045	0645-0850	Sa TWR	21565	1000-1117	Sa RTB
6045	0655-0820	Su-Th TWR	21565	1000-1206	Mo-Fr RTB
6045	1027-1225	DWL (RNW)	21720	1625-1815	SRI SOT+
6110	1725-1930	SRI	21750	0555-0815	SRI SOT+
6140	0600-1900	DWL	21770	1055-1330	SRI SOT+
7260	1600-1645	Sa TWR			

+ active on demand

AWR Adventist World Radio
 CHW Christliche Wissenschaft
 DVB Democratic Voice of Burma
 DWL Deutsche Welle
 DLF Deutschlandfunk
 DLR DeutschlandRadio
 GNW Good News World Radio
 HIC Hrvatska Informativni Centar
 LRT Radio Vilnius Lithuania
 RNW Radio Netherlands World Service
 RRP Radio Reveil Paroles de Vie
 RTB Radio Television Belge de la communaute Francaise
 SRI Swiss Radio International
 TOM The Overcomer Broadcast
 TWR Trans World Radio
 UNL Universelles Leben
 VOH High Adventure Ministries—The Voice of Hope (ex HAM)
 VOO Voix de L' Orthodoxyie
 VRT Vlaamse Radio en Televisie (ex RVI)
 RFL Reformed Faith and Life
 INF Info Radio, NL

(Mar 1/Weyl-DTK/Volk-GER)

GREECE Voice of Greece

0300-0350 Greek 7450 9420 11645 15630
 0400-0500 Greek 9375 15630 15650 17520
 0500-0550 Greek 9375 15630 17520
 0600-0900 Greek 7475 9420 11645 15630
 17700-(to 0800)
 0900-0950 Greek 9770 15630
 1000-1150 Greek 9420
 1200-1400 Greek 9420-(to 1250) 9690 12105
 15530 15630
 1400-1430 Turkish 9375 11645
 1400-1450 Greek 9420 15630
 1430-1500 Arabic 9375 11645
 1500-1530 Russian 7475 9375
 1500-1700 Greek 9420 15630
 1530-1600 Bulgarian 7475 9375
 1600-1630 Romanian 7475 9375
 1630-1700 Serbian 7475 9375
 1700-1730 Albanian 7475 9375
 1700-1800 Greek 7450-(from 1750) 9420
 15630
 1730-1800 Polish 7475 9375
 1800-1830 French 9375 12105
 1800-1850 Greek 7450 9420 17705 17765
 1830-1900 Spanish 9375 12105
 1850-2000 Greek 7450 9420 17705 17765
 1900-1930 English 7475 9375
 1930-2000 German 7475 9375 17765
 2000-2050 Greek 7450 7475 9375 9420
 17705 17765
 2050-2200 Greek 7450 9375-(from 2100)
 9420 11645 17705 17765
 2200-2250 Greek 7475 9420 11645 12105
 2300-2350 Greek 7450 9375 11645 12105

(BBCM)

GUATEMALA Just heard an OUTRAGEOUS signal from *Radio Verdad* on 4052.48 kHz at 1153 tune-in. Right where Glenn said it would be. EASILY the best signal from 60 to 90 meters. Just turned on the tape when a perfect ID, freq, mb, QTH and time was given. I didn't catch any call letters but, I will go back through the tape later. Faded quickly by 1215. ID's, freqs, etc. were mentioned frequently. The banjo and cuckoo were heard at the ToH. (Terry, KC7LDP, hard-core-dx March 20 via DXLD/Hauser-OK)

NEW ZEALAND Radio New Zealand International:

0706-1205 15115
 1206-1505 6100 occasional sports
 1506-1650 6145 occasional sports
 1650-1751 11695
 1752-0705 17675

(Sainsbury-RNZI)

PORTUGAL RDP Internacional sked, all in Portuguese

0000-0200 9715 11655 13660 13700 15295 Mo-Fr
 0500-0645 9815 11960 15585 Mo-Fr
 0645-0700 9815 11850 11960 15585 Mo-Fr
 0700-0800 9815 11850 11960 Mo-Fr
 0700-0830 12020 13610 21655 21830 Sa/Su
 0800-1000 9815 11960 Mo-Fr
 0830-1000 11995 12020 13610 21655 21830 Sa/Su
 1000-1200 9815 11960 21655 21725 21830 Mo-Fr
 1000-1200 12020 13610 21655 21830 Sa/Su
 1200-1300 15580* Mo-Fr
 1200-1355 12020 13610 15580 17615 21655
 21800 21830 Sa/Su
 1300-1500 13665 15580* Mo-Fr
 1355-1400 15580 17615 21655 21800 21830 Sa/Su
 1400-1655 13770 15555 15580 17615 21655
 21800 21830 Sa/Su
 1500-1600 15580* Mo-Fr
 1600-1900 13770 15445** 15555 15580* 17680
 21655 21800** Mo-Fr
 1655-1700 13770 15555 15580 17615 21655
 21800 Sa/Su
 1700-1900 13770 15555 15580 17615 17680
 21655 21800 Sa/Su
 1900-2000 11945* 13625* 13770 15555**
 15580** 17615 17680 21540* 21655
 21800** Sa/Su
 1900-2300 11945* 13625* 15580* 21540* Mo-Fr
 2000-2300 11945* 13625* 21540* Sa/Su
 2300-2400 9715 11655 13660 13700 15295 Mo-Fr

To East Timor:

1000-1100 11550 1400-1500 15345 2200-2300
 11550

*-reserved for special transmissions

**-may be extended to 2300 (21-Mar/Volk-GER)

RUSSIA Voice of Russia Russian World Service—
Summer period:

0100-0300 7125 9480 12070 15455 17565 17660,
17690, 21755
1200-1300 9945 15510 15460 15560
1300-1400 9945 15510 15560
1500-1600 12055 15515
1700-1800 7330 9720
1900-2000 9720 11630 11980 15350 15455
2000-2100 9450 9710 9720 12070

(Erbe-GER/Volk-GER)

SAHARAN ARAB DEMOCRATIC REPUBLIC

7470 *National Voice of the Saharan Arab Democratic Republic*, On 14 March; signed on at *0712 with "Hill Street Blues" theme, then Arabic music, and went into news by man beginning and ending with the headlines 0732-0745. ID near the end of the news. Later in the day, heard their evening transmission 2128-2200 with fair strength but QRMed from adjacent channel. On 15 March; *0700 with anthem-like song, morning prayers 0700-0711, light instru. mx, traditional and Pop-like Arabic mx with one song sounding like "I Know What Boys Like" by the Waitresses!!! ID at 0732 by M, then usual 15(±) minute news program, dead air 0746, then into music. Modulation level varies, but the freq has been rock steady on 7470 and is very strong at the variable 0700 sign on. Thanks to Dave Kenny and BCDX and Hans for passing along the tip. (Valco)

SOMALIA Radio Kismaayo broadcasts from the southern Somali port of Kismaayo. It was first observed by BBC Monitoring in March 2000.

1600-1730 Somali 6900v

(BBCM)

Any listing of Somali stations is likely to go out of date pretty quickly, but here is the current position:

6823 *Radio Mogadishu*, VoSomali Pacification (pro-Uthman Ali Ato)

6900 *Radio Kismaayo* (new stn; bcs at 1600-1730)

7012 *Radio Gaalkacayo* at 1600-1700

7214 *Radio Banaadir* at 1600-1900 (a slight change from 7213)

7530 *Radio Hargeysa* at 1500-1800.

(Chris Greenway-UK, Mar 5, DX LISTENING DIGEST/BC-DX/Bueschel-GER)

6655, unid, *1500-1700, at first thought it was Holy Koran station but it seems a new one. ID many times at 1630 but am unable to get it, "...Radio...Mogadishu" just as being jammed. Also the Koran recital was different from other Somali stns, religious chant without mx. At 1626 sounded like call to Prayer, but this too was different. Probably nx at 1630, long talk with brief mx in between. Off at 1700 after relig chant (not sounding like recital

of the Koran). (Mahendra Vaghjee-MAU, NU Mar 5/BC-DX/Bueschel-GER)

SOUTH AFRICA African Beacon is a unique broadcast service in that it is the first major Christian radio service broadcasting American black ministries into the African continent.

Merlin will broadcast 8 hours daily, 4 hours a day from Sentech's Meyerton facility, covering Southern Africa and 4 hours from Rampisham, Merlin's short wave site in Dorset, UK, providing extensive coverage throughout Africa.

0430-0630 6115
1600-1800 6145
1800-2200 9675

(Merlin News Release March 20, via Dave Kenny, British DX Club E-Mail News, excerpted for DX LISTENING DIGEST/Hausser-OK)

SUDAN This country has changed time zones, moving clocks forward so that local time is now UTC+3. This means that all bcs from Omdurman are now heard one hour earlier/UTC, than before. This accounts for the change in *R Omdurman's* English sce (now 1700-1800) noted by DXers earlier this year. As it happens, Omdurman's sole SW transmitter appears to be off the air at present, and nothing was heard on 7200.

Opposition station *Voice of Sudan* (from Eritrea) was heard on 8000, 9000 and 9517.2. (Chris Greenway-UK, Mar 5, DX LISTENING DIGEST/BC-DX/Bueschel-GER)

SWEDEN Radio Sweden thru October 28:

0000-0030	Swedish	13625
0100-0130	Swedish	13640 13625
0130-0200	English	13625
0200-0230	Swedish	9495
0230-0300	English	9495
0300-0330	Swedish	9495, instead 15240 (May-Aug only)
0330-0400	English	9495, instead 15240 (May-Aug only)
0400-0430	Swedish	6065 17505 Mo-Fr
0400-0430	Swedish	9495, instead 15240 (May-Aug only)
0430-0500	Swedish	6065 9495 17505 Mo-Fr
0500-0600	Swedish	6065 9495 17505 Mo-Fr
0600-0700	Swedish	9495 Mo-Fr
0600-0800	Swedish	9495 17505 Sa
0700-0900	Swedish	9495 17505 Su
1000-1010	Swedish	9490
1000-1030	Swedish	21530 Sa/Su
1010-1030	Swedish	9490 21810 Sa/Su
1030-1040	Swedish	18960 21530 21810
1030-1040	Swedish	21530 Mo-Fr
1040-1100	Swedish	18960 21530 21810 Sa/Su
1130-1200	English	18960
1200-1230	Swedish	17505 18960
1200-1230	Russian	15725 17895
1230-1300	English	17895 18960 21810

1300-1315	Swedish	17505 18960 Mo-Fr	0900-1100	Arabic	15240 15520
1300-1330	Swedish	17505 18960 Sa/Su	0930-1030	Hungarian	15405
1300-1330	Russian	15240	0930-1030	Romanian	11930
1330-1400	English	17895 18960	1000-1300	Turkish	9460 11955 15350 15615 21715
1400-1430	Swedish	17525 18960	1030-1130	Greek	9630 11930
1445-1500	Swedish	18960	1100-1200	Mandarin	21530
1445-1610	Swedish	6065 Mo-Fr	1130-1230	German	17760
1500-1530	Swedish	13860	1130-1230	Albanian	11875
1545-1600	Swedish	13860 17485 Sa/Su	1200-1300	Urdu	21780
1545-1610	Swedish	13860 17485 Mo-Fr	1230-1330	English	17830 21540
1545-1700	Swedish	6065 Sa/Su	1230-1400	Persian	15380
1600-1615	Estonian	6065 Sa/Su	1300-1400	Russian	15450
1615-1630	Latvian	6065	1300-1500	Turkish	9460 11955 13655 15350 15615
1630-1645	Estonian	6065	1330-1400	Serbian	11860
1630-1700	Russian	7170	1330-1430	Bulgarian	9870
1645-1700	Latvian	6065	1400-1500	Azeri	11865
1700-1715	Estonian	6065 Mo-Sa	1400-1600	Arabic	15225 17790
1700-1800	Swedish	6065 Su	1430-1530	Greek	9655
1715-1730	Latvian	6065 Mo-Sa	1500-1600	Turkish	9460 11955 13655 15350
1730-1800	English	6065 13800(Su only)	1500-1600	Kazakh	11860
1800-1830	Swedish	6065 11905 17505	1530-1630	Turkmen	11905
1830-1900	German	6065 Mo-Sa	1600-1630	Croatian	11970
1830-1930	German	6065 Su	1600-1700	Kyrgyz	11865
1900-1930	Russian	6065(Mo-Sa) 9590	1600-1700	Turkish	5960 5980 9460 9560
1930-2000	English	6065	1630-1700	Spanish	15150
2000-2100	Swedish	6065 13580	1700-1800	Russian	9675
2100-2130	Swedish	6065 9435 15255	1700-1800	Uzbek	6115
2130-2200	English	6065 9435 15255	1700-1900	Turkish	5960 5980 7220 9460 9560
(direct/Bueschel-GER/Volk-GER)			1730-1830	German	13790-usb 15515
TANZANIA Radio Tanzania National Service			1800-1900	Tatar	6175
0200-2100	Swahili	5050	1800-1900	Bosnian	9755
0600-1600	Swahili	7280	1830-1930	English	9785 11765-usb
(BBCM)			1900-2100	Turkish	5960 5980 7220 9460 9560 11910-usb
<i>RTanzania is no longer being in English on SW. The English service is now only on at 0200-0400 on 1035 and 94.6 FM in Dar es Salaam. I was told that it now calls itself RTD-PRT (Radio Tanzania, Dar es Salaam—Powerful, Realistic, Trustworthy)</i>			1930-2030	French	9670 11850 13665-usb
<i>Zanzibar is on 11734.1, but not for all of the day. The use of 6015 seems to have ceased. (Chris Greenway-UK, Mar 5, DX LISTENING DIGEST/BC-DX/Bueschel-GER)</i>			2030-2130	English	9525
TURKEY Voice of Turkey			2100-2200	Turkish	5960 5980 7220 9445 9460 9560 11885 11910-usb
0000-0300	Turkish	5960 5980 9445 9460 11885 21715	2200-2300	English	7190 13640
0100-0200	Uzbek	11690	2200-2300	Turkish	5960 5980 9445 9460 11885 15325
0300-0400	English	6155 11655 21715	2300-2359	Turkish	5960 5980 9445 9460 11885 15325
0300-0400	Turkish	5960 5980 9445 9460 11885	(BBCM)		
0400-0700	Turkish	9445 9460 11750 11910 11955 17600 21540 21715	6900 <i>Turkish State Meteorological Service</i> back again. Heard strong signal today at 1530. Progr nonstop Turkish folklore mx. Stns ID at 1630 mentioned Ankara. 1630-1635 extensive weather report. Nat Anth 1635, end of progr. Although carrier still on air til approx. 1720. (Hans-Joachim Koch-D, Mar 7/BC-DX/Bueschel-GER)		
0700-0800	Georgian	11690	UNITED KINGDOM Foreign relays of Merlin Communications:		
0700-0830	Azeri	11730 15140	<i>CBS</i> relay 1		
0700-0900	Turkish	9460 11750 11955 15350 17600 21715	1800-1900	English	3955S
0800-0900	Macedonian	11690	1900-2000	German	6175S
0830-0930	Persian	11795 17705			
0900-1000	Turkish	9460 11955 15350 21715			

1900-2000 French 3955S
 2200-2300 Spanish 7140S
 2300-2400 Mandarin 3975S

Evan Radio

0900-1000 6130S Su

Found Human

1600-1700 6175S mo-Fr

HCJB relays

1600-1730 Russian 11760R
 2100-2230 Arabic 12020Sk

KBS relays

0600-0700 Korean 9535Sk
 1700-1800 Korean 11855Sk
 1800-1900 Russian 15360R
 1900-2000 German 6145Sk
 2000-2100 French 6145Sk
 2100-2130 English 3970Sk

Merlin

1730-1800 15560G Tu/Th/Fr/Sa/Su
 1800-1900 6130S Th/Fr

NHK relays

0330-0400 Swahili 6135A
 0500-0600 English 5975Sk 7230W
 0600-0700 English 7230W 11740Si
 0700-0730 Arabic 15220A
 0700-0800 Japanese 11740Si 11920Si
 0800-1000 [NHK] 11740Si 11920Si
 0800-1000 Japanese 11710W 17650A
 1030-1100 Japanese 11740Si
 1100-1130 Japanese 9660W 11710W
 1130-1200 Japanese 11710W
 1130-1200 Thai 11740Si
 1200-1230 Swahili 17790A
 1200-1230 [NHK] 11740Si
 1230-1300 French 15400A 17790A
 1230-1300 Chinese 11740Si
 1600-1700 Japanese 15145A
 1700-1800 English 6175Sk 15115Sk 21630A
 2100-2200 English 6035Si 6115Sk 6175Sk
 11855A
 2200-2300 Japanese 6115Sk 15220A

RAI relays

0130-0230 Italian 6110A 11765A
 1000-1100 Italian 11920Si
 1700-1800 Italian 15320A

RNW relays

1130-1325 [RNW] 11690Si
 2227-2325 [RNW] 6120Si
 2230-0025 [RNW] 9590Si

RTE relays

0130-0200 6155R
 1000-1030 11740Si
 1800-1830 15315Sk
 1830-1900 13725Sa 21630A

SHB relays

1000-1100 English 11840T

1200-1300 English 11550T
 1300-1400 English 9940I

SRI relays

1100-1200 English 13735Si
 1200-1230 German 13735Si
 1230-1300 French 13735Si
 1300-1330 Italian 13735Si
 1400-1500 English 9575Si
 1500-1530 German 9575Si
 1530-1600 French 9575Si
 1600-1615 English 9575Si

Staff Broad (??)

1900-2000 6010S Th/Fr

Virgin Radio relay

1300-1500 9750S 12005S 15235S Sa
 1500-1700 9750S 11785S 15235S Sa
 2100-0100 3955S 6140S 7325SFr

Wales Radio

0200-0230 9795R Sa
 1230-1300 17650R Sa
 2030-2100 7325S Fr

WYFR relay

1800-1900 13720Sk

A-Ascension
 G-Grigoriopol
 I-Irkutsk
 R-Rampisham
 Sa-Sackville
 Si-Singapore
 Sk-Skelton
 T-Taipei
 W-Woofferton
 (Volk-GER)

VIETNAM The following noted on a night of good propagation across the Bay of Bengal, around 1300 on 5 March:

Hanoi 1st Nat'l Progr 5925, 7210 & fluttery, 9875.

Hanoi 2nd Nat'l Progr 4960 & 6020 (so after nearly three months it looks as though new 6020 & 7210 are here to stay)

Hanoi Hmong Prgr on 5030 & tent. 6165.

Lao Cai thundering in a little above 5594 and in parallel a little above 6694, off around 1325.

Caobang wobbling as usual every few seconds around 6501, inflicting a loud and variable whistle on USB of Qinghai CHN 6500.

Presumed **Son La** with carrier on 4796, strong splatter from AIR Hyderabad 4800.

Presumed **Lai Chau** a fraction below 6383.

Presumed **Ha Giang** on 7157, carrier only audible and swamped by RFE/RL sign-on just before 1300. (Alan Davies Mysore-IND, Mar 6/BC-DX/Bueschel-GER)



Pirate Radio Report

Chris Lobdell • P.O. Box 146 • Stoneham, MA 02180-0146 • clobdell@mediaone.net

Hi and welcome to the April edition of the **Pirate Radio Report**. Winterfest 2000 is now in the history books and a good Winterfest it was with interesting speeches by Victor G. of Sri Lanka and Andy Sennitt of The Netherlands. For those of you who would like to see some photos of the Fest, check these sites: Risto Kotlampi of California: www.hard-core-dx.com/kulpsville2000/whoiswho.html or your editor's album at photopoint: <http://albums.photopoint.com/j/AlbumIndex?u=349069&a=2585912>.

Ireland's Millennium Radio

We received an email regarding the above named low power pirate, operating from Dublin, Ireland. This is an narrow band FM pirate operating on 27715 kHz.

Their schedule is defined as Saturdays from 2200 UTC. No sign off time is mentioned, nor is a power given. Since this is in the CB band it is doubtful that it can be heard in North America but if the skip conditions are just right, you never know.

You can send *Millennium Radio* email at fradioe@hotmail.com. [Hans-Joachim Koch-Germany]

Loggings, yeah, we've got 'em!

I'd like to thank the following faithful contributors for this month's submissions: Ralph Brandi in NJ, Pete Costello also in NJ, and Joe Talbot in Alberta, Canada.

Alfa Lima International, a Europirate, noted on March 5th at 0315 UTC on the 19 meter frequency of 15070 kHz. Programming included '80s music, announcements in English, many, many IDs and an email address at hotmail. Amazingly strong for a Europirate. Tnx to Rich McVicar in the #swl IRC chat channel. [Brandi-NJ]

Echo Radio, an apparent newcomer on 6955 kHz USB at 2338 on March 17th with a "Pearl Jam-like song", ID in the middle, and then off abruptly after the song. [Brandi-NJ]

Jimmy The Weasel, noted on March 18th at 0140 UTC on 6955 kHz singing about your stinkin' momma, peeing on the FCC; heard later in a QSO explaining that QRW is QRM generated by Jimmy the Weasel [Brandi-NJ]

Radio Azteca, Heard on 6954.87 kHz on March 18th at 0010 UTC. Rocky and Bullwinkle mx snippet IS, Bram Stoker, program number 38 (I think), mentions of Niel Wolfish and Lee Silvi having almost 60 Radio Azteca QSLs, "Honk if you Love Glenn Hauser" bumper stickers, mentions of Monique, the sultry mail lady, sweaty Girl Scouts over a hot oven, your station for everything gross but tasteful, Gerbil nuggets, more strange people on a New York trolley than at the Kulpsville Winter SWL Fest, lots of goofy laws, did not hear from George Zeller, more fun than having a gerbil stuck up your ass, brought to you by Ralph's Custom-fit Condoms on Route 32, across from Walmart, "The Lord's Dxpedition" KJES parody ("Deliver us unto Barb Osterman", "Praise DX"), surf music, and on and on and on; drifting up to 6954.93 [Brandi-NJ]

Radio Bingo, noted on 6954.9 kHz at 0005 UTC with a good signal in NJ on March 12th. Audio clips of Dr. Tornado were noted with BINGO call outs. [Costello-NJ] How come John T. Arthur always wins!

Unidentified. Joe Talbot heard an UNID pirate on March 18th from 0430+ testing with Heavy Metal, Punk and rock mx on 6955 kHz. A military station QSO on 6953 had to move because they were QRMing them. [Talbot-Alberta]

Pirate Popularity Poll

This year, just send us your favorite and least favorite SW pirates, one each for tabulation in June. Give us your reasons for liking/disliking them as well. The results will be in the July Pirate Radio Report.

Happy Pirate DX!



QSL Report

Sam Barto • 47 Prospect Place • Bristol, CT 06010



ALASKA: KNLS 9615 f/d cd. of a "Harp Seal" in 53 ds. for an E-mail rpt. v/s Mike Osborne. (D'Angelo-PA). 7365 f/d cd. of "Wildlife" in 27 ds. for \$1.00. Alaska Calling Newsltr. rcvd. (Borowski-NY).

ALBANIA: Radio Tirana 6115 via Cerrik f/d "Traditional Dress" cd. in 43 ds. (Humenyk-ONT). same in 50 ds. (Borowski).

ANTIGUA: BBC Caribbean Relay Station 5975 n/d ltr. direct from site in 41 ds. This was from

the Caribbean Relay Company in St. John's. (D'Angelo). f/d ltr. in 5 wks. v/s David George. This reception was for welcoming the new millennium. (Loudell-DE).

ARGENTINA (Pirate): Radio Blandenque 6949.4 (LSB) via Radio Cochiquaz f/d "Pirate Cartoon Logo" cd. w/ stickers and a form ltr. in 6 mo. for \$1.00. v/s Raul Gonzalez. (Kusalik-ALB).

ASCENSION ISLAND: Radio Japan 9665 f/d cd. in 37 ds. w/ site. v/s Yoshiaki Fushimi. (D'Angelo). f/d "Paper String Art w/ Crane and Turtle" cd. w/ sticker and Schedule in 1 mo. (Loudell). Radio Telefis Eireann 21630 via Merlin Communications at English Bay f/d "River/Land" cd. in 23 ds. (Humenyk-ONT).

ASIATIC RUSSIA: Deutsche Welle 15490 via Novosibirsk f/d "Cologne" cd. in 1 mo. (Loudell-DE). Radio Vlaanderen International 9865 via Petrovlovsk-Kamchatsky f/d "St. Mary's Basilica" cd. in 23 ds. w/ schedule. (Humenyk).

AUSTRALIA: Radio Australia 9580 via Shepparton f/d "Sunrise at Shepparton" cd. in 66 ds. v/s John Wright. (Borowski-NY).

AUSTRIA: Radio Austria International 7325 f/d "Bregenz Festival" cd. in 17 ds. for 1 IRC. (Brochette-IL). f/d "Theatre on the Lake, Vorarlberg" cd. in 32 ds. (Humenyk-ONT).

BELARUS: Radio Minsk 7210 f/d cd. in 207 ds. for \$1.00. Rcvd. personal ltr., stickers and a schedule. v/s Irina Polozhentseva. (Comeau-MA). f/d "Church/Statue" cd. w/ personal ltr. and sticker in 6 mo. (Loudell-DE).

BELGIUM: Radio Vlaanderen International 21630 via Wavre f/d "Saint Mary's Basilica" cd. in 23 ds. (Humenyk-ONT).

BOLIVIA: Radio ANDES 4795 f/d ltr. in

RÁDIO CLUBE DO HUAMBO * 37 ds. for a SP rpt.
CAIXA POSTAL 175 - NOVA LISBOA - ANGOLA

CR6-RZ

EMISSORA OFICIAL DE ANGOLA—LUANDA
Portuguese Overseas Province

THIS CONFIRMS YOUR RECEPTION OF OUR PROGRAM BROADCAST ON
THE 4955 Kc/s. POWER
AERIAL 1000

WITH MANY THANKS AND BEST REGARDS
FROM EMISSORA OFICIAL



after a f/up rpt. v/s Freddy Mamani M., Responsible de Programacion. The name ANDES is an Acronym of "Antonio Quijarro, Nor Lipez, Daniel Campos, Enrique Baldiviezo and Sud Lipez". They changed the name of the station from Radio ANDES to Radio Mallku which apparently means the condor. (D'Angelo-PA).

BONAIRE: Radio Vlaanderen International 13670 f/d "St. Mary's Basilica" cd. w/o site in 27 ds. for 1 IRC. (Brouillette-IL).

BOSNIA: Radio Jugoslavia 6100 and 6180 f/d cd. w/o site in 55 ds. w/ sticker and schedule. Also rcvd. a "Listeners Club" cd.

BRASIL: Radio Educacao Rural 3385 f/d prepared cd., signed (D'Angelo). * and stamped in 57 ds. for \$1.00. (D'Angelo-PA).

BULGARIA: Radio Bulgaria 15700 via **Plovdiv** f/d "Veliko Turnovo, Tsarevets Hill" cd. in 82 ds. w/ sticker and schedule. (Humenyk). 7535 f/d "Bulgarian Towns, Koprivshtitsa" cd. in 66 ds. w/ sticker. (Humenyk).

5845 f/d "Bulgarian Towns, Nesebur" cd. w/ sticker in 50 ds. (Humenyk-ONT).

CONFIRMAÇÃO OFICIAL DE RECEPÇÃO

DA
EMISSORA DA GUINÉ
C Q M

POTENCIA: 1.000 WATTS
TIPO DO EMISSOR: TELEFUNKEN
MODULAÇÃO: DÍRIGIDA COM REFLECTOR
FREQÜENCIA: 5.838 KC/S
COMPRIMENTO DE ONDA: 51,37 M.
HORÁRIO: 21:30 H / 23 H GMT

BISSAU

(Guiné Portuguesa)

A. E. Sur.

U. S. A.-

Com as nossas melhores cumprimentos pelas informações fornecidas no seu cartão de recepção referente às emissões dos dias 28 de Abril de 1959.-

Emissora da Guiné CQM

PARAGEM EM S. TOMÉ — E. TOMÉ E PRÍNCIPE **BILHETE POSTAL**

O EMISSOR REGIONAL DE S. TOMÉ E PRÍNCIPE, 15/6/75

agradece e verifica o relato de escuta referente à emissão transmitida no dia 8/11/1974 entre as 7.54 e 8.22 TMG na frequência de 5.338 KHz, banda de 5.2 metros enviado por SAHUEL D. BARTE

Cx. P. 44
SAO TOMÉ
VIA PORTUGAL

21.5.75

*Our next frequency on short waves, will be 20.97 kHz
Yours Sincerely
Dain*



VERIFICATION SIGNERS: **LRA36 Radio**

Nacional Arcangel San Gabriel

15476 Francisco Cuba -or- Fernando Garcia Pinasco, Director. Addr: Base Esperanza, CP9411, Antartica Argentina. **Radio**

Centenario La Nueva 4855 Napoleon Ardaya, Director. Addr: Casilla de Correo 318, Santa Cruz. **Radio Cultura Araraquara**

3365 Addr: Avenida Feijo 583-Centro, CEP 14801-140 Araraquara. **Radio Yaounde - CRTV** 4850 Eyebe Canga, Technical Director. via PLAY DX.....Sam.

CANADA: **Deutsche Welle** 6040 via

Sackville f/d "Cologne" cd. in 43 ds. v/s Horst Scholz. (Humenyk). **Radio Telefis**

Eireann 13640 via



Telefone N.º 2305

Caixa Postal, 3

BEIRA

África Oriental Portuguesa

Merlin Communications via **Sackville** f/d "River and Landscape" cd. in 23 ds. (Humenyk). **Radio Austria International** 17865 via **Sackville** f/d "Theatre on the Lake" cd. in 24 ds. (Borokowski-NY).

CELEBES: Radio Republik Indonesia 3265 via **Gorontalo** date only personal ltr. in 41 ds. after a f/up rpt. for \$1.00 v/s Drs. Muh. Assad, Kepala Stasiun. (D'Angelo-PA).

CHINA, PEOPLES REPUBLIC OF: China Huayi Broadcasting Company 11590 f/d * CH ltr. w/ the important stuff in EG in 1 mo. (D'Angelo).

CLANDESTINE: Voice of Oromo Liberation 11725 date only ltr.

* in 14 ds. for a rpt. to the Berlin address. v/s Teye Teferra, Secretary, SBO Committee Europe. (D'Angelo-PA).

CROATIA:HRT Radio Zagreb 6165 and 7165 via **Deanovec** f/d

"Studio w/ Building" cd. in 1 yr. w/ personal ltr. & schedule. v/s Zelimir Klasan. This was my longest wait for a QSL. (Humenyk-ONT).

CUBA: Radio Habana Cuba 9820 f/d "Club DX" cd. in 111 ds. for 1



RÁDIO MOÇAMBIQUE

RÁDIO MOÇAMBIQUE

Caixa Postal (P.O. Box) 594

M A P U T O
MOÇAMBIQUE

Temos o prazer de confirmar
We have pleasure to confirm
a informação de escuta do dia:
your report on reception of: 12/1/19

na frequência de BEIRA 4895 KHz
Frequency

Potência do Emissor: 100 kw.
Transmitter power:

Observações: Muito agradecemos
Remarks: a sua informação de es-
cuta da nossa Estação da
Beira.

One of the cds. notes a broadcast of an

VERIFICATION SIGNERS: Dark Pampa Radio 7465

Damian Funes Torres. Addr: Casilla 159,
Santiago 14, Chile. Radio Medi 1 9575
Addr: Rue Emsallah, Tanger. Radio Niger-
ia Kaduna 4770 R.B. Jimoh, Assistant
Director of Technical Service. Radio
Slovakia International 7345 Mrs. Helga
Dingova, English Service Director. Addr:
Mytna 1, P.O. Box 55, SK-610 05 Bratis-

RÁDIO CLUBE DE MOÇAMBIQUE

"The Station for Happy Listening"

Caixa Postal 594

Laurenço Marques

We have pleasure to confirm your
report on 23rd November 1960

on frequency 11762 M/c.

Call Sign CR7BF

Transmitter power 7.5kw.

Remarks.

Other frequencies received: Thank you

IRC. Also rcvd. postcards, personal ltr. and a couple of copies of the EG version of the Cuban newspaper "Granma". (Brouillette-IL).

CZECH REPUBLIC: Radio Prague 5930 via Lyto-
mysl f/d "Shortwave Transmitter at Lyto-
mysl Site" cd. in 1 mo. w/ schedule and
sticker. Also rcvd. a pocket calendar.
(Humenyk-ONT).

CUADOR: HCJB 9745 f/d "Otavalan Music" cd.
w/ schedule and a religious tract in 2
mo. for US ms. (Loudell). f/d "Tuning
Team at 100 kw. Transmitter" cd. w/ sch-
edule in 1 mo. for US ms. (Loudell-DE).
f/d "Galapagos Iguana" 1972 cd. in 1 mo.
(Loudell). f/d "Musician with a Recorder"
cd. in 5 wks. for US ms. (Loudell).
f/d "Mount Chimborazo" cds. w/ schedule
in 3 wks.
for US ms.

RÁDIO MOÇAMBIQUE

Caixa Postal (P.O. Box) 594

M A P U T O
MOÇAMBIQUE

Temos o prazer de confirmar
We have pleasure to confirm
a informação de escuta do dia:
your report on reception of: 28.10.86

na frequência de 4.865 KHz
Frequency

Potência do Emissor: 25 KW
Transmitter power:

Observações: We thank you for
Remarks: report of reception of
our SW transmission.

Radio 7515 Nas-
rullo Ramazon-
ov, Editor in
Chief. Addr: In-
ternational Service, 31 Chapaev Street, Du-
shanbe 734025. BBC Asian Relay Station 15310
Ms. Jaruan. Addr: P.O. Box 20, Muang, Nak-
hon Sawan 60000, Thailand.... via PLAY DX.

interview with me about my radio station
WILM's DX test! (Loudell-DE).

ENGLAND: Radio Japan 7230 via Skelton f/d
"Paper String Art / Crane and Turtle" cd.
w/ sticker and schedule in 1 mo. v/s Yo-
shiki Fushimi. (Loudell). Wales Radio In-
ternational 9795 via Rampishaw f/d paper
cd. in 21 ds. for an E-mail rpt. v/s

Jenny O'Brien. (D'Angelo-PA).

ETHIOPIA: Radio Ethiopia 7110 f/d blue cd. w/ personal ltr., schedule and
sticker in 1 mo. for \$1.00. (Loudell-DE).

EUROPIRATES: Shortwave Relay

- * Service 11470 f/d cd. w/ in-
formation sheet in 77 ds.
for an E-mail rpt. to swrs@
usa.net. Card indicated the
power at 35 watts. (D'Angelo)
- * Alpha Lima International
6290 f/d ltr. w/ "Skull and
Crossbones" cd. in 43 ds.
for \$1.00. Addr: PO Box 663,
7900-AR, Hoogeveen, Holland
(D'Angelo).

EUROPEAN RUSSIA: Radio Chechnya

- * Svobodnaya 11635 and 15605
via St. Petersburg-Popovka





RADIO NACIONAL DE ANGOLA

Q
S
L

Caro Senhor

Acusamos a recepção da sua carta, sobre as condições de escuta da nossa estação emissora, na frequência de 4.830 KHz. aos 12.00 ds. no período das 23.30 às 24.00 das — às — horas GMT.

Cher Monsieur

Nous agrecions votre lettre et vos informations sur nos conditions d'auditions sur la fréquence de — KHz. le — des — heures TMG.

Dear Sir

We received your letter listening conditions of broadcast on short wave frequencies of — KHz. listened by you — from — / — / — G.M.T.

Rádio Nacional de Angola 2 / 1 / 81
O Director,

f/d E-mail w/ attached ltr. in 60 ds. v/s Mikhail Timofeyev, QSL Editor. (D'Angelo-PA).
Deutsche Welle 12055 via Moscow f/d "Cathedral Churches" cd. in 71 ds. (Humenyk-ONT).
FINLAND: Radio Finland 17670 f/d ltr. in 263 ds. after a f/up rpt. (Borokowski). 9655 f/d ltr. in 48 ds. for \$1.00 v/s Raimo Makela. My reports were sent direct to the Pori site. (Borokowski-NY).

GEORGIA: IBC Tamil 7475 n/d ltr. in 14 ds. for a f/up rpt. v/s S. Shivanjanith, Station Manager. Addr: P.O. Box 1505, London SW8 2ZH, England. (D'Angelo-PA).
GERMANY: Radio Vilnius 6120 via Julich f/d "Land of Amber" cd. in 75 ds. (Borokowski). Good News World Radio f/d cd. of an "Old Telegraph Key" in 22 ds. Personal ltr. rcvd.

VERIFICATION SIGNERS: YLE Radio Finland 15400 Raimo Makela, DXer. Addr: YLE Pori, Short-wave Centre, Makholmantie 79, FIN-28660.
Radio Reveil 5805 via Deutsche Telekom Walter Brodovsky, Technical Advisor, Addr: DE-52428, Juelich. La Voz de Guatemala 6180 Antonio Ordenez Ramirez, Asistente de Produccion. Addr: 18 Calle 6-72, Zona 1, Guatemala City.....via PLAY DX.....Sam.

v/s Robert Mawire, President. Addr: P.O. Box 895, Ft. Worth, TX 76101. (D'Angelo-PA).

RTBF International 15715 via Julich f/d "Satellite Receiving Equipment" cd. in 13 ds. (D'Angelo). Voice of America 7245 via Lampertheim f/d "Mount Rushmore National Monument" cd. in 7 ds. for 2 ms. (Buer-FL). Radio Reveil 11785 via Deutsche Telekom in Julich p/d "Man inside the Studio" cd. w/ ltr. in 81 ds. (Humenyk).



Radio Ecclesia * n/d ltr. in 58 ds. (Humenyk-ONT).
GREECE: Voice of America 15205 via Kavala f/d "Mount Rushmore National Monument" cd. in 58 ds. (Humenyk-ONT).
GUAM: KSDA Adventist World Radio 9370 via Agat f/d "Sunrise at Bear Rock" cd. w/ schedule and sticker in 1 mo. for US ms. (Loudell-DE).
GUATEMALA: Radio Coatan 4780 p/d ltr. in 2 mo. for a SP rpt. and \$1.00 v/s Domingo Hernandez. (Myers-VA).
HOLLAND: Radio Nederlands 9895 via Flevo f/d "Deer Clos to Hilversum Wasmear" cd. in 1 mo. (Humenyk-ONT).

CR6AV
RADIO CLUBE DO MEXICO
P.O. BOX 74
LUSO
Agradecemos e confirmamos as informações gentilmente prestadas.
Antônio Joaquim de Almeida
EMISSORES:
SW 5 KW - 5370 KC/S
1 KW - 5037 KC/S
SW 3 KW - 089 KC/S
1 KW - 024 KC/S
Fm. M. 20 - 04100000 (Fm. 10000)
10000 (Fm. 10000)
10000 (Fm. 10000)



RÁDIO DIAMANG
DUNDO-ANGOLA
(PORTUGUESE WEST AFRICA)

INDIA: All India Radio 11620 via Bangalore f/d cd. in 14 wks. (Klinck-NY).
JAPAN: Radio Japan 13650 f/d "Paper String Art / Treasure Ship" cd. w/ schedule, pocket calendar and report form in 48 ds. (Humenyk).
11715 f/d "Paper String Art Sea Bream and Waves" cd. w/ sticker and schedule in 5 wks. v/s Yoshiki Fushimi. (Loudell-DE).
MALTA: Voice of the Mediterranean 7150 f/d "Coat of Arms of Jean de la Vallette Grandmaster of the Order of St. John and Prince of Mal-

RÁDIO MOÇAMBIQUE

Caixa Postal (P.O. Box) 584

M A P U T O
MOÇAMBIQUE

Temos o prazer de confirmar
We have pleasure to confirm
a informação de escuta do dia: 10/75
your report on reception of: 10/75
na frequência de 4958 KHz
Frequency

Potência do Emissor: 0,25Kw.
Transmitter power:

Observações: Muito agradecemos
Remarks:

a sua informação de escuta

nossa Emissão, u. de:

Nampula

delegacia

International 9590 f/d "City Hall" cd. in 10 wks.

SPAIN: China Radio International 9690 (Klinck).

f/d "Yu Yuan / Shanghai" cd. w/ sticker and schedule in 1 mo. (Loudell-DE).

SRI LANKA: Voice of America 9645 via Iranawila f/d

Confirming your reception our station

RADIO PAX

On the 12/4/73

Time 04.32 GMT ~~04.47 GMT~~

Operating on 3960 Kc/s.

Thanking you for your test



same cd. w/ schedule, stickers and tourist brochures in 5 wks. (Loudell). 17815 same in 87 ds. w/ schedule. (Humenyk-ONT).

UGANDA: Radio Uganda 4976 f/d cd. in 5 wks. for a taped rpt. and \$2.00
v/s Rachel Nakibuuka. (Klinck). f/d ltr. in 26 mo. for \$1.00. (Myers)

USA: KCNZ 1650 via Cedar Falls, IA form ltr. via E-mail in 1 day. v/s
Greg Alan, Program Director. (Kusalik). KCJY 1630 f/d QSL via E-mail
in 1 day for an E-mail rpt. v/s Tom Suter, Sales Manager. (Kusalik).

KJES 11715 f/d "Mother Holding The Baby" cd. in 64 ds. w/ schedule. (Humenyk-ONT). Voice of America 17725 via Greenville f/d "The White House" cd. w/ survey form and VOA Program Guide in 56 ds. (Humenyk) Radio Taipei International 9680 via WYFR f/d set of "Butterfly" cds. w/ sticker, station info. an ROC newspaper in 1 mo. (Loudell-DE). WWV 15000 f/d "Native American" cd

ta" cd. in 5 wks. for \$1.00. Really a great looking QSL card: (Loudell-DE).
MOLDOVA: Voice of Russia 7125 f/d "Moscow River" cd. in 101 ds. v/s Elena Osipova. (Borokowski-NY).

PORTUGAL: RDP Internacional / Radio Portugal

17680 f/d "Mundo Dito, Oil Painting on Wood" cd. w/ personal ltr., stickers, schedule and a mint Portuguese souvenir sheet of joint Portugal/Macau issue in 2 mo. v/s Isabel Saraiva, Intercambio e Contacto. (Loudell-DE).

ROMANIA: Radio Romania International 15390

f/d "Roses and Peasant Woman Spinning" cd. w/ sticker in 92 ds. (Humenyk-ONT).

RWANDA: Deutsche Welle

15135 via Kigali f/d "Berlin" cd. in 119 ds for 1 IRC. (Brouillette)

SINGAPORE: Radio Singapore

RÁDIO DIAMANG

CR 6 R R 7070 K c/s

CR 6 R G 4770 K c/s

CR 6 R I 9612 K c/s

11 - 12.30

Domingos

Dienches

Sundays

18 - 19.30

Dias úteis

Jours ouvrées

Workdays

Exmo. Sr.

Monsieur

Dear Sir

Muito agradecemos as informações que nos enviou.

Nous vous remercions beaucoup de l'information que vous avez bien voulu nous envoyer.

We thank you very much for your information on our broadcast.

Dundo, 5/3/62

TAIWAN: Radiodifusora Portuguesa 11550

"Man Embracing Globe" cd. w/o site in 43 ds. for 2 IRCS. v/s Isabel Saraiva. The station is requesting reports. (Brouillette-IL).

THAILAND: Voice of America 7140 f/d

"US Capitol" cd. in 80 ds. (Rugg).

TINIAN ISLAND: Voice of America 9780

f/d "US Capitol" cd. in 1 wk. for 2 ms. This was after a f/up rpt. (Buer)

TURKEY: Voice of Turkey 6010 and 7300

via Emirler f/d "Turkish Souvenirs" cd. w/ schedule, sticker and a map of Antalya in 44 ds. (Humenyk). 9655

same cd. w/ schedule, stickers and tourist brochures in 5 wks. (Loudell). 17815 same in 87 ds. w/ schedule. (Humenyk-ONT).

UGANDA: Radio Uganda 4976 f/d cd. in 5 wks. for a taped rpt. and \$2.00
v/s Rachel Nakibuuka. (Klinck). f/d ltr. in 26 mo. for \$1.00. (Myers)

USA: KCNZ 1650 via Cedar Falls, IA form ltr. via E-mail in 1 day. v/s
Greg Alan, Program Director. (Kusalik). KCJY 1630 f/d QSL via E-mail
in 1 day for an E-mail rpt. v/s Tom Suter, Sales Manager. (Kusalik).

KJES 11715 f/d "Mother Holding The Baby" cd. in 64 ds. w/ schedule. (Humenyk-ONT). Voice of America 17725 via Greenville f/d "The White House" cd. w/ survey form and VOA Program Guide in 56 ds. (Humenyk) Radio Taipei International 9680 via WYFR f/d set of "Butterfly" cds. w/ sticker, station info. an ROC newspaper in 1 mo. (Loudell-DE). WWV 15000 f/d "Native American" cd

EMISSORA CATOLICA DE MOÇAMBIQUE
 (CK7-RA - CH7-RB)
 Telefone 2763
 BEIRA
 Areas Operadas: Mozambique

Frequencies.
 3.960 kc/s 90 mc/s FM
 3.990 kc/s 93 mc/s FM
 1.293 kc/s

P. O. BOX 594

BEIRA - P.E.A.

side in 71 ds.
 for ms. (D'Angelo)
Betty Boo! Radio
 6955 via **Radio**
Eclipse f/d design #3 w/ sheet #70 in 83 ds. for ms. (Neal-TX).
WBTU The Howard Stern Experience
 6955 cd. in 480 ds. for ms. (D'Angelo). **MIDI Radio**
 6955 E-mail QSL promising a QSL
Garbanzo 6955 f/d

via the surface route soon. (D'Angelo-PA). **Radio Garbanzo** 6955 f/d "official verification" ltr. w/ personal ltr. in 24 ds. for ms. v/s Fearless Fred. (D'Angelo). **WLIS** 6955 f/d sheet in 32 ds. for a rpt. to ACE or FRW log. QSL #1477, design #120. Used the BRS drop. (Comeau-MA). personal ltr. in 108 ds. (Humenyk). **BYCAT** 6955 f/d sheet #39 in 2½ yrs. via the Providence drop. (Dybka-TN).
VATICAN CITY: Radio Vatican 9600 f/d "Santa Maria di Galeria Rotating Antenna" cd. w/ schedule and sticker

NOTES: Jim Moats in Ravenna, OH says that the v/s for WSHB and other outlets is actually Cindy Riehm, not Biehm. This is according to their website. Thanks for the tip. **Madison Brumbach** sent along copies of his QSL - CB card for Club CD Costa Verde, Portugal. Very interesting items... Sam. He also says that he is descended by blood or marriages from 18 US Presidents. Also interesting.... Sam.

in 7 wks. for Vatican ms. (Loudell).

UZBEKISTAN: Voice of America 5040 via **Tashkent** f/d cd. w/ ltr. and schedule in 66 ds. from Tashkent after no replies from Washington DC. (Kusalik). **Radio Tashkent** 15295 personal ltr. w/ New Years cd. and schedule in 187 ds. (Glotzbach-NM).

EMISSORA DA GUINÉ PORTUGUESA
 Emissora Nacional da Guiné de Bissau
Q. S. L. Nacional

CONFIRMAÇÃO OFICIAL DE RECEÇÃO
 VERIFICATION OFFICIELLE DE RECEPTION
 OFFICIAL VERIFICATION OF RECEPTION

À Exmo. Sr.
 To Mr.

U.S.A.

Agradecemos e confirmamos as vossas informações

Nous remercions et confirmons vos informations
 We gratefully acknowledge as correct your report

De escuta da nossa emissão do dia

Au sujet de notre émission de
 Concerning our broadcasting of

Na frequência de
 Dans la fréquence de
 In the frequency of

15.1.1982

5.049 Kcs.

band → 60 mts.

Bissau, 9.3.1983

EMISSORA NACIONAL

DE RADIODIFUSÃO Q. S. L.
 RUA DO QUELHAS, 27
 LISBOA ~ PORTUGAL



AGRADECEMOS E CONFIRMAMOS AS VOSSAS INFORMAÇÕES

We gratefully acknowledge as correct your
 Nous remercions et confirmons vos informations

DE ESCUTA DA NOSSA EMISSÃO DE
 report concerning our broadcasting of 5.1.1982
 au sujet de notre émission de

NA BANDA DE METROS
 In the 67.66 mt. band
 dans la bande de metres

YEMEN ARAB REPUBLIC: Radio Sana'a 9780 f/d "Buildings" cd. in 58 ds. w/ postcard, and ltr. C/V #138. v/s Alt-ashi Ali, Technical Director. (Humenyk-ONT).

Thanks to all of our contributors for joining us once again. Next month's Column will feature QSLs from the collection of Rich D'Angelo.

Best of QSLing....

Net Notes

Tom Sundstrom • P.O. Box 2275 • Vincentown, NJ 08088-2275 • Fax: 609-859-3226 • trs@trsc.com
http://www.trsc.com

The y2k Winter SWL Festival is now history. If you were not there, shame on you. It was a lot of fun and truly international in scope. We freshened the look of the fest pages a bit. Look at www.trsc.com/winterfest.html for photos, links, and the countdown to 2001! Plan some vacation days now.

The new Sangean ATS-505 portable radio was released on February 28. A review — we do like the radio — is now available on the Radio Netherlands' Receiver Shopping List at www.rnw.nl/realradio/.

Beacons. The Northern California DX Foundation (NCDXF), in cooperation with the International Amateur Radio Union (IARU), constructed and operates a worldwide network of high-frequency radio beacons on 14.100, 18.110, 21.150, 24.930, and 28.200 MHz. These 18 beacons each transmit for 10 seconds on 5 bands for three minutes before repeating the cycle. The beacons transmit the CW ID (at 22 wpm) and 4 dashes. The call and first dash is at 100 watts; the three other dashes step down in power to 10, 1 and 0.1 watt. These beacons help both amateur and commercial high-frequency radio users assess the current condition of the ionosphere. Read more about the

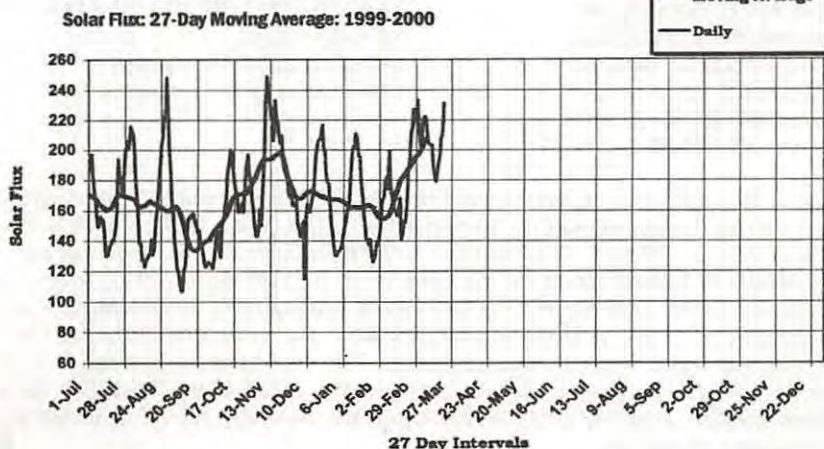
network at www.ncdxf.org/beacon.htm.

Beacon Software. BeaconSee, for Windows 95/98, has a unique methodology to listen to the IARU beacons. How do you spell automation? The main panel displays a grid of band(s) on the vertical axis and beacons on the horizontal axis. With audio from the receiver and a SoundBlaster-compatible sound card in the PC, the signals are graphically displayed over time. With good propagation, you can see a clear display of the signal strengths as the beacons step down in power. We find it surprising that we can often hear the last (0.1 watt) dash of certain beacons.

In our opinion, the author, Bev Ewen-Smith, CT1EGC, has done a marvellous job with this software package. Down a demo version from sapp.telepac.pt/coaa/beaconsee.htm. Registration — which allows one to save the graphic — is just \$29. Tell Bev we sent you.

STLs. The 25-26 MHz studio-to-transmitter link frequencies are good indicators of the MUF. Read all about them at Bob Colyard's Web site: raven.cybercomm.net/~slapshot/26mhz.html.

As always, <http://> is implied.



Contributors' Page

Fred S. Kohlbrenner • 2641 S. Shields St. • Philadelphia, PA 19142 • fkohl@ix.netcom.com

DEADLINE FOR CONTRIBUTIONS IS THE 10th OF THE MONTH

The following members sent in contributions:

Brian ALEXANDER, Mechanicsburg, PA	NRD-545 AOR AR-7030 100' LW
Ralph BRANDI, Tinton Falls, NJ	R8 PR150 Dressler ARA60, 250' LW
Paul BROUILLETTE, Geneva, IL	R8 60' LW
Ross COMEAU, Andover, MA	R8 325' LW
Peter COSTELLO, Matawan, NJ	AR3030 DX-390 YB400 70' LW Tun-4A
Rich A. D'ANGELO, Wyomissing, PA	R8 HF150 FL-3 AD Sloper LW
John W. DAVIS, Johnstown, PA	R391 AN-1 435' LW
Mark FINE, Remington, VA	
Bob FLECK, Dallas, TX	
Bob FRASER, Cohasset, MA	Sony ICF-2003 ICF-SW100S 2m LW
George GLOTZBACH, Santa Fe, NM	R8B ARA-60
Hugh O. GRIFFIN, Jr., Portsmouth, VA	
Jennifer GRIFFIN, CA	
Bob HILL, Littleton, MA	Sony 2010 120' dipole at 35'
Mark HUMENYK, Weston ONTARIO	Magnavox D-2935 AN-60 DX-SWL sloper
Fred KOHLBRENNER, Philadelphia, PA	R8 NRD-525 Datong FL-3 ANC-4 Sloper
Jerry LINEBACK, Scranton, KS	Icom 746 beverage antennas
Jack LINONIS, West Middlesex, PA	DX-375 DX160A NCX-20 65' LW Sloper
George MAROTI, Mt. Kisco, NY	R8B 2010 T2FD 30/45m dipoles
William McGUIRE, Cheverly, MD	DX-380
Bob MONTGOMERY, Levittown, PA	R388 DX Pro active antenna
Gary NEAL, Sugarland, TX	Grundig YB-400
Don NELSON, Beaverton, OR	(3) HF1000AS NRD-545 Collins 2050 R7A
Ed NEWBURY, Kimball, NE	WJ-1000 R8 60'Sloper 20' loop
Takayuki Inoue NOZAKI, Tokyo, JAPAN	NRD515 NRD535 FRG7000
Denis PASQUALE, New Brighton, PA	DX-440 with a 10 meter long wire
Sheryl PASZKIEWICZ, Manitowoc, WI	R8 NRD-525 60' LW Eavesdropper
Stephen PRICE, Johnstown, PA	
Bob RAYMOND, Nashua, NH	R8B 20m 5/8 wave vertical
Betsy ROBINSON, Clinton, TN	Sony 2010 Indoor antenna
Chuck RIPPEL, Cornland, VA	WJ-HF1000A R8B R390A/SE-3 51S-1 LW's
Giovanni SERRA, Rome, ITALY	NRD-525 AD Sloper
John SGRULLETTA, Mahopac, NY	NRD-515 DX Sloper Mosley SWL-7
George UHLER, Brookings, OR	DX-440 30' Loop Grove tuner
Charles WASHBURN, Robbinston, ME	
Jennifer WEINBRUM, Denver, CO	AOR-7030

Another Winter SWL Festival has come and gone. I enjoyed seeing many of our contributors there and am looking forward to next years festivities. Kudos to Rich Cuff and John Figliozzi for a job well done. Congratulations to NASWA Publisher Bill Oliver who was awarded the William P. Eddings Award for his many years of outstanding service to the club. To Sheldon Harvey who received the Don Jensen Distinguished Service Award. Finally, congratulations to George Zeller, who received an award for making history at the last French Creek DXpedition by rolling Ed Mauger's 900+ foot Beverage antenna into a big tangled ball while Ed was still listening to the radio. We're looking forward to see how George tops that achievement at our next DXpedition. Hopefully, there'll be plenty of fire extinguishers handy! 73s

Tropical Band Loggings

Sheryl Paszkiewicz • 314 Riverview Drive, Apt 16 • Manitowoc, WI 54220 • spasz@dataplusnet.com


- 2310 AUSTRALIA CAAMA R 3/3 1220 EG pops, poor (Line-KS) 3/11 0920 4th qtr soccer? ABC nx (Nels-GRAY)
- 2325 AUSTRALIA CAAMA R 3/3 1220 EG pops, poor (Line-KS)
- 2390 USA WWCR 3/01 1142 EG ment Judge Hse Inn (Uhle-OR)
- 2410 NEW GUINEA R Enga 3/4 1209 lang talk, mx, poor (Line-KS) 3/11 1110 PNG local mx, IDs (Nels-GRAY)
- 2485 AUSTRALIA CAAMA R 3/3 1220 EG pops, poor (Line-KS)
- 2850 N KOREA KCBS 2/26 1224 heroic song by choir, talk (Line-KS)
- 2960 INDO RPD Manggarai 3/11 1043 IN mx, ment Manggarai (Nels-GRAY)
- 3205 NEW GUINEA R Sandaun 3/11 1201* PNG mx, Ids, addr (Nels-GRAY)
- 3215 SULAWESI RRI Manado 3/3 1152 Indo talk, fair (Line-KS) 3/12 1300 ID, poss nx (Nels-GRAY)
- 3220 N KOREA Hamgyong 2/25 1250 KR singing, ID, talk (Uhle-OR)
- 3220 NEW GUINEA R Morobe 3/12 1051 PD addr, Melanese mx (Nels-GRAY)
- 3223 INDIA AIR Shimla 3/11 1446 SC mx, ID (Nels-GRAY)
- 3235 NEW BRITAIN RWNB 3/13 1025 PD talk, Melanese mx, list of names (Nels-GRAY)
- 3245 NEW BRITAIN R Gulf 3/12 1052 wailing guitar, C&W vocals, ID, nx (Nels-GRAY)
- 3250.8 PERU R Comas 2/29 1030 ID, mx, march, accordions (Robi-TN)
- 3255 S AFRICA BBC Relay 3/13 0343 BBCWS strong (Nels-GRAY)
- 3259U JAPAN NHK Fukuoka 3/11 1153 JP talk //594, 3970, 3607.5 (Nels)
- 3260 NEW GUINEA R Madang 3/5 1135 local mx, poor (Line-KS)
- 3265 SULAWESI RRI Gorontalo 3/3 1204 RRI nx //4753, good (Line-KS) 3/12 1327 YL pop mx pgm, ID, IS (Nels-GRAY)
- 3279.6 ECUADOR LV del Napo 2/28 1024 talk, kids rel singing (Mont-PA)
- 3315 ADM ISL R Manus 2/5 1133 local mx, poor (Line-KS) 3/11 1135 ment Manus, sing-sing, NA, birds (Nels-GRAY)
- 3315p INDIA AIR Bhopal 2/13 1453 SC mx, anmts (Nels-OR)
- 3320 N KOREA Pyongyang 2/25 1305 KR same as 3220 (Uhle-OR)
- 3325 PNG R Bougainville 3/12 1057 pop mx, ID (Nels-GRAY)
- 3325 SUMATRA RRI Palangkaraya 2/26 1259 SCI, RRI nx (Line-KS) 3/11 1240 Hill country mx, ID, nx (Nels-GRAY)
- 3335 NEW GUINEA R E Sepik 3/5 1133 lang talk, poor (Line-KS)
- 3335 TAIWAN CBS 3/4 1227 CH talk & pops, poor (Line-KS)
- 3345 INDIA AIR Jaipur 3/13 1416 romantic mx, ID (Nels-GRAY)
- 3345 MOLUCCAS RRI Ternate 3/5 1159 IS, RRI nx (Line-KS) 3/11 0949 Indo mx, ID, nx (Nels-OR)
- 3355 NEW GUINEA R Simbu 3/5 1135 local mx, poor (Line-KS)
- 3355.4 SUMATRA RRI Jambi 3/13 1506 nx, mx, IN talk, ment Jambi. Tnx Bryant (Nels-GRAY)
- 3365 INDIA AIR Delhi 2/24 1324 SC mx //4680, fair (Line-KS) 2/23 1428 SC mx, ID, tent ID (Nels-GRAY)
- 3365 NEW GUINEA R Milne Bay 2/12 0849 sing-sing (Nels-OR)
- 3373.5U JAPAN NHK Osaka 3/11 1216 JP talk, ID (Nels-OR)
- 3375 NEW GUINEA R W Highlands 3/5 1136 local mx, poor (Line-KS)
- 3380 MALAWI MBC 3/13 0307 lang, drums, low mod (Nels-GRAY)

- 3385 **NEW BRITAIN RENB** 3/3 1201 lang talk, mx, C&W (Line-KS)
 3395 **NEW GUINEA R E Highlands** 3/5 1137 local mx, lang talk (Line-KS)
 3395 **SUMATRA RRI Bandar Lampung** 2/10 1159 IS, RRI nx (Line-KS) 3/12 1407 Indo talk, mx, ment Palangkaraya (Nels-GRAY)
 3905 **IRIAN JAYA RRI Merauke** 2/27 1131 Indian mx, talks, mx (Mont-PA) 3/5 1137 Indo pops, fair (Line-KS) 3/13 1111 blasting in over New Ireland, IN talk, mx (Nels-GRAY)
 3905 **NEW IRELAND R New Ireland** 2/24 1149 pop mx, vy noisy (Mont-PA)
 3925 **JAPAN R Tampa** 2/25 1311 JP talk (Uhle-OR) 3/11 1222 JP talk, mx //6055, 9595 (Nels-GRAY)
 3935 **NEW ZEALAND ZLXA** 3/11 0610 pgm on military decorations (Nels-GRAY)
 3945 **JAPAN R Tampa** 3/11 1220 JP talk, mx //6115 (Nels-GRAY)
 3959 **SULAWESI RRI Palu** 3/5 1202 RRI nx //others (Line-KS)
 3976 **KALIMANTAN RRI Pontianak** 3/5 1138 Christian hymns, RRI nx (Line-KS) 3/11 1227 pop mx, ment Pontianak, ID (Nels-GRAY)
 3986 **S KOREA Vo Hope** 3/5 1139 KR talk & orch mx (Line-KS)
 4000.1 **SULAWESI RRI Kendari** 3/5 1140 Indo pops, IS (Line-KS) 3/11 1330 poss interview, gamelan mx, ID, IS (Nels-GRAY)
 4003.2 **SUMATRA RRI Padang** 3/11 1533 ID, long discuss (Nels-GRAY)
 4460t **N KOREA Vo Natl Salvation** 2/26 1325 KR mx, f-g (Line-KS)
 4525 **CHINA Nei Menggu PBS** 2/25 1241 MG talk, fair (Line-KS)
 4534.2 **PERU R Horizonte** 2/27 1139 SP anmts & mx, fair (Line-KS) 2/13 0245 anmts, folk mx, ID (Alex-PA)
 4606 **IRIAN JAYA RRI Serui** 3/5 1141 Indo talk, IS (Line-KS) 3/11 1322 IN mx, ID (Nels-GRAY)
 4725 **MYANMAR R Myanmar** 3/11 1309 YL nx, OM cmtry (Nels-GRAY)
 4753.3 **SULAWESI RRI Makassar** (new name) 3/5 1159 IS, RRI nx (Line-KS) 3/11 1252 IN mx, IS, ID, nx (Nels-GRAY)
 4760p **AND ISL AIR Pt. Blair** 3/11 1330 ID, SC mx (Nels-GRAY)
 4760 **KASHMIR AIR Leh** 2/24 1323 SC mx, fair (Line-KS)
 4760 **LIBERIA ELWA** 2/15 2202* EG Christian pgm, ID, NA (Wash-ME) 2/13 2201* chorus EG anmts, NA (Alex-PA) 2/11 0620 rel pgm, ID, Back to the Bible, QSL addr in Abidjan (Nels-GRAY)
 4770 **NIGERIA R Nigeria** 2/23 2220 reggae, DJ telling people to stop fighting, IS & s/off (Bran-NJ)
 4775 **INDIA AIR Imphal** 3/13 1415 Hindi OM, SC mx (Nels-GRAY)
 4789 **IRIAN JAYA RRI Fak-Fak** 3/5 1159 IS, RRI nx (Line-KS)
 4790.5 **PAKISTAN Azad Kashmir R** 2/27 0053 Islamic prayers, ID, ment Pakistan, 3 TP, nx & ment Pakistan (Maro-NY)
 4799.8 **GUATEMALA R Buenas Nuevas** 2/22 0008 horn mx, IDs (Bran-NJ)
 4800 **INDIA AIR Hyderabad** 2/24 1327 lang talk by YL (Line-KS) 3/13 1415 SC mx w/QRN (Nels-GRAY)
 4800 **LESOTHO R Lesotho** 2/14 0345 various talk, TP, IS, ID (Bran-NJ) 3/11 1638 Saf mx, ment Lesotho, QRN (Nels-GRAY)
 4815 **BURKINA FASO R Burkina** 2/26 2233 FR Afr mx, ID, anmts (Raym-NH)
 4819 **HONDURAS LV Evangelica** 3/1 1200 SP mx, ID (Uhle-OR) 3/9 0315 SP rel mx, cmtry by YL (Lino-PA) Hope you're feeling better-sp.
 4820 **BOTSWANA R Botswana** 3/13 0410 EG interview, QRN (Nels-GRAY)
 4820 **INDIA AIR Calcutta** 2/24 1327 lang talk by YL (Line-KS) 2/18 1433 //4840 EG nx (Nels-OR)
 4825 **GUATEMALA R Mam** 2/22 1200-SP marimbas, TC, ID, good (Wash-ME)

- 4835 **GUATEMALA R Tezulutian** 2/22 0310 marimba mx, talk, ID (Uhle-OR) 2/29 1100 ID, talk, marimba mx (Robi-TN) 3/9 0300 rapid fire anmts & lots of mx (Lino-PA)
- 4840 **INDIA AIR Mumbai** 2/24 1324 lang talk, poor (Line-KS) 2/13 1509 ment Mumbai, EG nx (Nels-OR)
- 4845 **MALAYSIA R Malaysia** 3/11 1417 pop mx pgm, interview (Nels-OR)
- 4845 **MAURITANIA ORTM** 2/29 0655 Koran, drums, ID, brief guitar (Nels)
- 4850 **CAMEROON Yaounde** 2/19 0525 Afr mx, EG nx 0531 (Nels-OR)
- 4850 **INDIA AIR Kohima** 2/24 1324 lang talk under CH stn (Line-KS)
- 4860 **INDIA AIR Delhi** 2/24 1323 SC mx, fair (Line-KS) 3/13 1448 SC mx EG 1450, mx (Nels-GRAY)
- 4874.5 **IRIAN JAYA RRI Sorong** 3/5 1142 Indo vocals, IS, nx (Line-KS)
- 4875 **BRAZIL R Roraima** 2/25 0820 pop mx, echo ad, mx, ID, TC (Nels-OR)
- 4880 **INDIA AIR Lucknow** 2/24 1325 lang talk by W (Line-KS) 2/17 1450 SC mx, YL in Hindi (Nels-OR)
- 4890 **GABON RFI Relay** 3/13 0423 FR pgm, 0431 ID, "This is Radio Africa." //11850, 11910 (Nels-GRAY)
- 4890 **PAPUA NBC** 2/28 1149 EG pops, good (Line-KS)
- 4895 **SARAWAK R Malaysia** 2/21 1142 lang pops, fair (Line-KS) 3/11 1417 booming in pop mx //7270 (Nels-GRAY)
- 4910 **INDIA AIR Jaipur** 2/24 1325 SC mx, poor (Line-KS) 3/13 1420 OM w/SC mx (Nels-OR)
- 4915 **BRAZIL R Anhanguera** 2/11 0005 ads, jingle, ID (Bran-NJ)
- 4915 **GHANA GBC** 3/12 0609 strong sig, EG annrcs (Nels-GRAY)
- 4920 **INDIA AIR Chennai** 3/5 1310 W in lang, poor (Line-KS) 2/11 0036 EG nx //5010, ID (Bran-NJ) 2/13 1451 SC mx pgm (Nels-OR)
- 4925 **SUMATRA RRI Jambi** 3/5 1146 Indo vocals, IS, RRI nx (Line-KS) 3/11 1310 booming in pop mx, ment Jambi (Nels-OR)
- 4930 **TURKMENISTAN Mayak** 2/5 0055 instl mx, IS, RS talk, pops (Alex)
- 4930 **UNID** 3/9 0250 lang w/East Indian type mx, thought heard ment India (Lino-PA)
- 4930.6 **HONDURAS R Costena** 2/9 0303 rel svc, ID, TCs (Brou-IL)
- 4940 **VENEZUELA R Amazonas** 2/14 1026 mx, anmts, IDs (Raym-NH)
- 4960 **INDIA AIR Ranchi** 2/24 1327 lang talk by W (Line-KS) 3/13 1434 EG nx, talk on Indian Dev. SC mx, Hindi nx (Nels-GRAY)
- 4960 **VANUATU R Vanuatu** 0800 ID, talk, local mx //3945, 7260 (Wein) 3/13 1115 EG talk, NA to 1119* (Bran-NJ) 3/11 0630 (Nels-OR)
- 4980 **VENEZUELA Ecos del Torbes** 3/9 0225 lively mx (Lino-PA)
- 4990 **INDIA AIR Itanagar** 2/24 1325 SC mx, poor (Line-KS)
- 4991 **SURINAM R Apintie** 3/8 0530 EG pop mx & many Ids, oldies (Raym)
- 5003.5 **RIO MUNI** 3/1 0509 mx pgm, Afr mx, steel drums, ID (Nels-OR)
- 5009.5 **MADAGASCAR R Madagascar** 3/2 0215 mx, Jean Michel Jarre, poss FR, ID, nx (Bran-NJ) 3/13 0255 IS, lang talk, mx (Nels-GRAY)
- 5010 **INDIA AIR Thiru.** 2/20 0122 HD talk (Nels-OR)
- 5015 **TURKMENISTAN R Asgabat** 3/12 1346 ME/SC mx, ID, mx (Nels-GRAY)
- 5020 **SOL ISL SIBC** 3/13 1102 EG nx, Western pops incl Electric Ave. By Eddy Grant, ID & R Hapi Isles ID (Bran-NJ)
- 5025 **PERU R Quillabamba** 3/9 0220 ID, LA mx (Lino-PA)
- 5030 **CHINA CPBS** 2/25 1315 CH talk (Uhle-OR)
- 5030 **SARAWAK R Malaysia** 3/11 1429 diff lang than 4895, 7270 (Nels)
- 5040t **INDIA AIR Jeyapore** 2/13 1434 SC mx, HD OM (Nels-OR)
- 5040 **SUMATRA RRI Pekanbaru** 2/26 1457 IN ID, IS, nx, US pops (Nels)

- 5050 **TANZANIA R Tanzania** 2/26 0233 Afr drums, mx ment Tanzania (Nels-OR)
 5060 **UZBEKISTAN R Tashkent** 3/12 1329 IS, EG ID, nx //5975, 9715 (Nels-OR)
 5100 **LIBERIA R Liberia** 2/13 2400* EG/FR pops, Afr pops, lang talk, NA,
 weak (Alex-PA)
 *5101.3 **CLAND Vo Jammu Kashmiri Freedom** 3/11 1300 anthem, Koran, long talk,
 SC mx (Nels-GRAY)
 5300nf **PERU R Superior** 3/11 1030 huaynos & chicha, ID (TIN-JP)
 5500 **ETHIOPIA Vo Tigray Rev** 3/12 1515 horn mx, nx, ID (Nels-GRAY)
 5755 **USA KAIJ** 2/21 1100 Dr. Gene Scott, brief IDs toh (Wash-ME)
 5863v **PERU R Nueva Cajamarca** 3/11 1120 mx, Ids, poor mod (TIN-JP)
 5880 **CHINA CPBS** 2/25 1318 CH //5030 (Uhle-OR)
 5890 **GERMANY AWR** 1/9 2154 piano, talk (Hume-ON)

This month contributions from 10 states, 1 Canadian province & 1 foreign country. A big thank you to all who took the time to contribute. **Charlie Washburn** reports in as the Easternmost member in the US. Everyone's contributions are welcome even if they come in late. They are saved till next time. Don't worry about not being able to match some of the catches shown in these pages. Just report what you can. Everyone's logs are of some interest to someone out there. **Don Nelson** had excellent loggings this time, at the Graylands DXpedition. Really appreciate your effort. If you like Latin American DX but not Asian DX, this isn't the issue for you, it seems. I'm amazed at the Indo & Malaysian catches from Graylands. I can count on one hand the times I've heard Malaysia.

Next deadline to my 314 Riverview addr or to my email addr is the second last Saturday of April. Happy Easter. 

This month's cover was first used for the November 1985 FRENDX. The original colors are shades of brown and it is one of the nicest QSL's I've ever seen.

FOR SALE: Customized beam headings (to/from) and distances (MI/KM) to more than 480 WRTH transmitter sites including Russian Republics. ITU Country Codes included. Send your location or coordinates. Price \$8.00. Also for sale: 1997 Passport to World Radio, \$7.00. WRTH '97, \$10.00; '98, \$12.00; '99, \$16.00. Complete 1999 NASWA Journals, \$16.00. All items include shipping (overseas shipping extra). Cashiers check or money order only, please. Al Drehmann, 389 Laurel Heights Lane, Tryon, NC 28782. E-mail Adrehman@juno.com. Phone (828) 894-3398. No collect calls, please.

RADIO STUFF SALE: Radio hobby and related books, station pamphlets and memorabilia, magazines, WRTHs and much more. Send a two-stamp SASE or \$1.00 for the ten-page list. Gerry Dexter, 213 Forest Street, Lake Geneva, WI 53147.

International Band Loggings

Wallace C. Treibel • 357 N.E. 149th Street • Seattle, WA 98155 • nwhikers@gte.net

- 5940 **RUSSIA V of Vietnam** relay Armavir in EG 0100, nx, cmntry (Linonis PA 3/4)
- 5975 **UZBEKISTAN R Tashkent** in EG/UZ? 1329-1400, IS, ID, orch mx w/vcls, YL in UZ?, OM in EG, Mid East sounding mx, long tlk in UZ?, //5060, 9715 (NelsonDX-WA 3/12)
- 59858 **MYANMAR RM** in EG 1437, nx, nice Burmese & pop mx, p due to splatter (Nelson DX-WA 3/12)
- 6010 **TURKEY V of Turkey** in EG 0412, cmntry abt world markets, post cold war era (Humenyk ONT)
- 6015 **CANADA Radio Austria Int** relay in EG 0540, tlk on women's rights, //13730-Vienna (Uhler OR 3/8)
- 6055 **JAPAN R Tampa** in JP 1154, pips, ID?, nx, mx, //3925, 9595 (Brandi NJ 3/17, Nelson DX-WA 3/11)
- 6070 **CHILE Voz Cristiana** Santiago in SP 0813, soft SP vocals, OM w/ID 0822, f (Kohlbrenner PA 2/13)
- 6100 **BOSNIA R Yugoslavia** relay in GM 2127, cmntry, violin mx, fqy ancmt, f (Humenyk ONT)
- 61348 **BOLIVIA R Santa Cruz** in SP 1025, mx, ID's 1026, 1032, 1059, f-g (Nelson DX-WA 3/12)
- 6165 **ZAMBIA R Zambia** in EG 1555-1625, nx, hrd each AM as well as lang svce on 6265 (Nelson 3/11)
- 6195 **ANTIGUA BBC** relay in EG 1105, "Caribbean Magazine", tlk re Canadian emigration (Pace IA 2/27)
- 6205 **RUSSIA Vatican Radio** relay Irkutsk in Mandarin 2200-2245*, relig pgm, IS, f (Alexander PA 2/6)
- 64797 **PERU R Altura** Huarmaca in SP 1137, huaynos and saludos, f-p (Nozaki JAPAN 3/11)
- 65358 **PERU R Dif Huancabamba** in SP 0017, OA guitar mx, ID's & TC's throughout, g (Sgrulletta NY 2/27) in SP 1120, Pasacalle (sic), full ID (Nozaki JAPAN 3/11)
- 65751 **NORTH KOREA R Pyongyang** in EG 2156*, ending xmsn in EG, silence to 2000 then IS and martial mx returned w/pgm in KR?, weak signal, //93351 (Costello NJ 2/27)
- 67977 **PERU R Ondas del Rio Mayo** in SP 2359-0025*, ID, DJ's and mx, ment Lima, g (Sgrulletta NY 2/29)
- 7105 **UZBEKISTAN R Tashkent** in EG *0100-0130, IS, ID, nx, features, mx, //7285 p (Alexander PA 3/4)
- 7110 **ETHIOPIA R Ethiopia** in lang? 1503-1530, tlk, flute mx, //97042 (Nelson DX-WA 3/11)
- 7115 **SRI LANKA V of America** relay in EG 0100, "News Now", cmntry on anniversary of death threat to Salomon Rushkie for blaspheming Islam, f (Newbury NE 2/15)
- 7120 **ITALY IRRS** relay Milan in EG *0700, ID, QTH at s/on, comedy pgm- episode of "Our Miss Brooks" pop tune, into relig pgm 0730, p w/occasional CW QRM (Kohlbrenner PA 2/13) in EG 0200, ID, into Radio 510 Int'l w/DJ Stevie, ancmts in GM & EG for "International Music Radio" (Brandi NJ 3/18)
- 7125 **GUINEA R Conakry** in FR 0656, mx until 0705, ID, nx, booming signal (Nelson OR 2/19)
- 7130 **BOSNIA R Yugoslavia** relay in EG 0200, IS, ID, nat'l nx, QRM from D Welle (McGuire MD 2/15)
- 7160 **ALBANIA R Tirana** in EG 0130, rpt on Sec'y Albright's visit to Albania, g (Pasquale PA 2/18) in EG 0335, ID, world & econ nx, cmntry on anti-corruption pgm, QRM BBC (Newbury NE 2/5)
- 7165 **HUNGARY R Budapest** in EG 1959, IS, ID, mx by John Lennon, cmntry on globalization, phone interview, f (Humenyk ONT)
- 7210nf **KENYA Kenya BC** Nairobi in EG/SH? 1019, tlks abt Angola and recent problems, into SH? 1022, ID hrd at 1031, difficult copy w/rapid fades or jitter, not hrd on //7125 (Montgomery PA 2/27)
- 72103 **BENIN R Dif du Benin** in FR 2100-2304*, tlks, African folk mx, Afro pops, FR pops, NA at s/off, poor in noise & adjacent channel splatter (Alexander PA 2/13)
- 7215 **SOUTH AFRICA TWR** relay in Tigrinya *0329, IS, ID in EG, Afro pops, g (Alexander PA 2/20)

- 7215 **NAMIBIA NBC** in EG 0503, nx, ID 0505, mx, TC, into Afrikaans 0513, exc (Nelson DX-WA 3/13)
- 7255 **GREECE VOA** relay Kavalla in Tibetan 0000, IS, ID, regional nx, ham QRM (McGuire MD 2/19)
- 7255 **BOTSWANA R Botswana** in EG 0410, interview, exc, //4820 (Nelson DX-WA 3/13)
- 7255 **NIGERIA V of Nigeria** in EG 0545, USA to help Nigeria increase farm yield, f-g (Pasquale PA 2/18)
- 7260 **RUSSIA V of Vietnam** relay Armavir in EG 0332, local nx, cmntry on youth movement (Newbury NE)
- 7275v **IRAN VOIRI** Sirjan in AR 0145, interview show, strong sig with drift 7270 to7277 (Linonis PA 3/4)
- 7295 **MALAYSIA Radio 4** in EG 1418-1501, relay FM's, ID, Elton John, pips, nx, vg (Nelson DX-WA)
- 7300 **SLOVAKIA R Slovakia Int** in EG 0130*, end of EG xsmn to NA, pop mx, ads (Linonis PA 3/5)
- 7330 **RUSSIA BBC** relay Chita in Mandarin 2212, phone interview, bridge mx, cmntry (Humenyk ONT 2/7)
- 7365 **RUSSIA VOA** relay Irkutsk in Mandarin 2240, cmntry, phone interview, ment VOA, f (Humenyk 2/7)
- 75051 **NORTH KOREA R Pyongyang** in FR *2200, IS, ID's, tlk by YL, choppy signal (Hill MA 3/18)
- 9505 **PHILIPPINES R Veritas Asia** in IN(p) 2256, repeated ID's in EG to 2259, ancd upcoming pgm@ 2300 intended for Indonesia, instrm'l version of "Sweet Georgia Brown", f-g, //11820 (Kohlbrenner PA 3/3)
- 9525 **SOUTH AFRICA Channel Africa** in EG 0300, nx re heavy rains/floods in Mozambique (Pasquale PA)
- 95299 **BRAZIL R Nova Visão** in PT 0050-0100*, PT vcls, ID, closing anmts, p (Kohlbrenner PA 2/13)
- 9535 **THAILAND R Thailand** in EG 1900-2000, nx, features, local mx, ID, f (Alexander PA 2/6)
- 9560 **UKRAINE RUT** in EG *0100-0200, IS, ID, nx, lcl folk mx, g, //9610, 6020 (Alexander PA 3/4)
- 9580 **GABON Africa #1** in FR 0357, nx, US orch version of pop song, ID, tlks, exc (Nelson DX-WA 3/13)
- 9585 **BRAZIL R Globo** São Paulo in PT 0911-0938, reactivated again on 31 meter band after months of silence, morning entertainment show "...Alo, Bom Dia", ID, anmts, f (Nozaki JAPAN 2/26)
- 9590 **SINGAPORE R Singapore Int** in EG 1123, pgm on digital imaging, nx, f (Raymond NH 2/27) in EG 1133, nx, ID, wx for Singapore and Asia, pop mx, weak bubble jammer (Maroti NY 2/28)
- 9595 **INDIA AIR** Delhi in Urdu 0207, subcontinental vocal, ancmt, p-f, //11620 vg (Hill MA 3/5)
- 9610 **CONGO Brazzaville** in FR 1624-1700*, ezl mx, several ments of Congo, ID at s/off (Nelson 3/11)
- 9615 **BRAZIL R Cultura** São Paulo in PT *0859, canned opening anmt, BR mx pgm, f-p (Nozaki JP 2/27)
- 9625 **CANADA CBC North** Sackville in Cree 2200, native Amer song, C&W, nx, f (Newbury NE 2/11)
- 9655 **FINLAND YLE Radio Finland** in EG *0300, ID, anmts, nx, Finnish president aids process for Serbs to leave Kosovo, cigarette smuggling ring broken in Finland (Newbury NE 2/16, Pasquale PA 2/18)
- 9655 **TURKEY V of Turkey** Ankara in EG 2300, fqys, sked, nat'l nx, ID, g (McGuire MD 2/27)
- 9665 **MOROCCO VOA** relay in AR 0500, ID, fqy, sked, into regional nx, g (McGuire MD 1/31)
- 96651 **BRAZIL R Marumby** in PT 2325, PT pop mx, ID's, drama w/sirens, QTH, f (Kohlbrenner PA 2/11)
- 9700 **ANTIGUA Deut Welle** relay in EG 0102, rpt on Iran elections, ID, "Week In Review" (McGuire 2/20)
- 9705 **INDIA AIR** Panaji in EG 2300, ID, into nx, weak and fluttery signal (Hill MA 3/18)
- 9720 **MONGOLIA V of Mongolia** in EG 1503, ID, tlk on women's goals on womens' day (Nelson 3/11)
- 9735 **UNITED KINGDOM Wales R Int** via Merlin Communications in EG 0300, tourism info abt Wales, interesting pgm but no actual contact info given for this "station" (Brouillette IL 2/12)
- 9835 **HUNGARY R Budapest** in EG 0100, IS, ID, nat'l and regional nx, g (McGuire MD 2/15) in EG 0200 nx re cyanide spill in Romania, g (Pasquale PA 2/18)
- 9865 **RUSSIA R Vlaanderen** Belgium relay via Petropavlovsk in DT 1211, cmntry including mention of Belgian economy, bridge mx, f (Humenyk ONT 2/5)

- 9885 **SWITZERLAND SRI** Sottens in GM 2230, ID, political nx, feature on Switzerland, g (McGuire 2/26) in EG 0420, nx re right wing govt in Austria, Swiss to wait and see, f, //9905 (Newbury NE 2/3)
- 9925 **GERMANY Croatian R** relay via Julich in EG 0213, nx, sports info, "Topic of the Day" editorial pgm, into CR 0224 (Alexander PA 2/19) in CR 0300, nx of Portugal, Cuba, and Italy, g (Robinson TN 2/28)
- 9990 **EGYPT R Cairo** in EG 2115-2230, pgm on environment & ecosystems, mailbag (Robinson TN 2/28)
- 11550nf **GUAM Adv World R** Agat in AR 1705, IS, ID, tlk, AR mx, sked from 1600-1800 (Treibel WA 3/1)
- 11605 **ISRAEL Kol Israel** Tel Aviv in EG 2000, nx, current affairs cmntry, f (Brouillette IL 2/13)
- 11655 **QATAR QBS** in AR 1701, nx, AR mx, tlk, many mentions of Doha, g (Raymond NH 2/19)
- 11675 **KUWAIT Home Service** relay in AR 0215, nx, cmntry, AR mx (Linonis PA 3/5)
- 11730 **JAPAN NHK** Tokyo in EG 1510, nx stories from foreign press, ID, top JP tune, QRM (Newbury NE)
- 11745 **CHILE R Voz Cristiana** Santiago in SP 0658*, instrum'l mx, ancd change of fqy to 11890 at 0700, ID fair reception (Nozaki JAPAN 2/26)
- 11760 **GEORGIA R Georgia** in EG 1952, tlk, mx typical of region, clobbered by RHC s/on at 1957 but signal still audible underneath, identifiable Georgia IS hrd (Brandt NJ 3/4)
- 11815 **BRAZIL R Brasil Central** Goiânia in PT 0820, mx pgm "Bom Dia Brasil", f (Nozaki JAPAN 2/26)
- 11820 **QATAR QBS** in AR 0243, identifiable IS, ID 0245, AR pgming (Brandt NJ 3/4) Tnx to Rich McVicar
- 11850 **GABON R France Int** relay in FR 0423, usual FR pgming, ID 0431, //4890, 11910 (Nelson DX-WA)
- 11890 **PHILIPPINES R Pilipinas** in EG/Tagalog 1742, mx, cmntry, features, ID, IS, f (Uhrer OR 2/22)
- 11895 **BRAZIL R Rio Grande do Sol** Porto Alegre in PT 0821, "LVB Mundial" pgm (Nozaki JAPAN 2/27)
- 11990 **KUWAIT R Kuwait** in EG 1935, pgm re Kuwait's international accomplishments (Pasquale PA 2/26)
- 12080 **CHINA CNR-4** Minorities Pgm Xi'an in Tibetan 2342, tlks, p, //11375, 11710, 15670 (Hill MA 2/20)
- 12085 **MONGOLIA V of Mongolia** Ulan Bator in EG 1204, tlks on med school requirem'ts, acupuncture, use of regular western medicine, nuclear medicine, pop tune, nx, billboard, f (Montgomery PA 2/24)
- 12689usb **USA AFRTS** Florida in EG 0515, tlks, nx, sports, financial nx, Paul Harvey, f (Uhrer OR 3/8)
- 13660 **GERMANY Swiss R Int** relay Juelich in EG 2015, "Listeners Feedback", ID, f (McGuire MD 2/26)
- 13675 **UNITED ARAB EMIRATES R Dubai** in EG 0330, protests in Dubai against CNN nx (Pasquale 2/18) in EG 0340, Koran teaching, ID at s/off (Newbury NE 2/5)
- 13700 **NETHERLANDS RN** Flevo in EG 2015, "Dutch Horizons" on pre-school education (Fraser MA 2/13)
- 15105 **RUSSIA R Tatarstan** Samara in Tatar *0459, tlks w/ frequent ID's in RS & Tatar (Brandt NJ 3/4)
- 15110 **KUWAIT R Kuwait** in EG 0555-0700 f/o, ID at ToH, pop mx, relay local FM bcsts (Nelson OR 3/1)
- 15140 **OMAN R Oman** in EG 1459-1530, pop mx, distinctive M East mx, vg (Nelson DX-WA 3/11)
- 151498bv **INDONESIA V of Indonesia** Jakarta in EG 2010, nx, ID, bridge mx, cmntry re umbrella making, pop mx, "Week in Review" (Sgrulletta NY 2/18, Raymond NH 2/19) in GM 1850, local songs, chants to 1859, OM in GM tking over Love Ambon tune, ancd FR pgm to follow, f (Kohlbrener PA 3/5)
- 152448v **NORTH KOREA R Pyongyang** in CH? 0856, fqy drift, anmts, mx, IS, tlks (Brandt NJ 2/15)
- 15315 **UNITED KINGDOM R Telefis Eireaan** relay in EG 1801, nx re Dublin strike (Humenyk ONT 2/18)
- 15330 **UZBEKISTAN Uzbek R** in Uzbek? *0500, IS, tlks, Cent Asian vcl, sig echo, //15165 (Hill MA 2/27)
- 15425 **SRI LANKA SLBC** in EG 0136, oldies recordings, pips, local TC, f/o 0200, //9730 (Brandt NJ 2/19)
- 15435nf **SAUDI ARABIA BSKSA** Riyadh in AR 1710-1800*, ID, signal well over Libya's powerhouse (Price IA 3/9) ED: Two 500 kw. xmtrs slugging it out but usually Libya signs off at 1745.

- 15575 **SOUTH KOREA R Korea Int** in EG 0150, tlk, ID 0156, sked, fqys, QTH, NA, p (Brandi NJ 2/24) in EG 0215, nx with tlk abt US presidential campaign (Linonis PA 3/5)
- 15780 **INDIA AIR Aligarh** in Farsi *0400, IS, ID, tlk, instrum'l, abruptly off 0404, no return, f (Hill MA 3/2)
- 15785nf **ISRAEL Galei Jahal 1** Jerusalem feeder in HB 1635, ezl local mx, somewhat heated dialogue between two OM's, f (Treibel WA 3/15) in HB 2225-2320, soft pop mx, ID, pips, nx, f (Kohlbrenner PA 2/11)
- 17565nf **RUSSIA Golos Rosii** relay Petropavlovsk in RS 0240, relig tlk, mx breaks, lively tune for 2 minutes at 0257 followed by V of Russia IS, xmsn beamed to WCNA 0200-0400, g (Treibel WA 3/10)
- 17675 **NEW ZEALAND RNZI** in EG 0150, discussion on bands playing in Wellington, f (Pasquale PA 2/18) in EG 1204, South Pacific mx, fqy, sked, s/off 1210 with mx interlude (Costello NJ 3/4)
- 17680 **CHILE R Voz Cristiana** in SP 2317, upbeat choir, tlk, ID, //21550 (Uhler OR 2/20, Davis OH 3/4)
- 17705nf **ISRAEL Kol Israel** Tel Aviv in Farsi 1530, mostly tlk, AR-type mx, f-g (Treibel WA 3/20) ED: Pgm in Farsi beamed to Europe and NA 1500-1625 except Sats when SP/Ladino replaces Farsi 1600-1625*
- 17840 **ANTIGUA BBCWS** relay in EG 1530, tlk on composer of the month - Brahms, g (Fraser MA 2/21)
- 17850 **FRANCE R France Int** in EG/FR 1630, results of broadcaster's contest, ID (Davis OH 3/12)
- 17860 **RWANDA Deut Welle** relay Kigali in GM 2205, world nx summary, ID, g (McGuire MD 2/27)
- 17895 **INDIA AIR** in EG 1038, mailbag, much tlk abt Internet, theme song, ID, subcont mx (Brandi NJ 3/13)
- 21630 **BELGIUM R Vlaanderen Int** in DT 1211, Home Service relay, cmntry on Belgian economy, bridge mx faur signal, //13760 (Humenyk ONT 2/5)
- 21745 **CZECH REPUBLIC R Prague** in EG 1400, tlk on the Romanian people in Prague, feature on tourist industry, exc (Robinson TN 2/20)

Clandestine, Tentatives, Presumed, or Unknown

- 6050 **NIGERIA R Ibadan(p)** in EG 0605, very distorted copy, nx, ment Nigeria & Lagos (Nelson OR 2/19)
- 6055 **RWANDA R Rwanda(p)** in FR? 1600, nx, dialog, pop mx, ID?, f/o into noise (Nelson DX-WA 3/11)
- 6130 **LAOS Laos Nat R(p)** in lang 1319, beautiful Laotian? mx, pips TOH, no bells, ID?, nx (Nelson 3/11)
- 61538 **INDONESIA RRI Biak(p)** in IN 1157, Islamic prayers(p), SCI for 2 mins, generic RRI ID 1200, no mention of Biak, nx?, faint but surprisingly clear (Maroti NY 3/9)
- 70732 **AFGHANISTAN V of Shari'ah(p)** in RS 1632, OM ancr, co-chan code QRM (Nelson DX-WA 3/11)
- 7100 **ERITREA V of the Broad Masses(p)** in Tigrigna(p) 0350, tlks by YL & OM, Horn-of-Africa style female choir singing, mentions of Asmara (Brandi NJ 3/17)
- 7170 **ERITREAR Asmara 2(t)** in lang 1448-1630, horn mx w/YL ancr, no solid ID (Nelson DX-WA 3/12)
- 7260 **VANUATU R Vanuatu(p)** in FR 0710, wide range of mx, drums 0728, into Bislama(p) lang, ID not heard at 0730 despite strong signal (Sgrulletta NY 3/4)
- 11565nf **ARMENIA R Free Asia** via Yerevan relay in KR 1610, mostly tlks with some mx breaks, ID in EG at 1627, //9445-Saipan relay with stronger signal than Yerevan (Treibel WA 3/7)
- 11760nf **GEORGIA Georgian R Tbilisi(p)** in EG 1949, mx pgm hosted by YL ancr, Gregorian chants - very slow, almost hymnal tones. Blown away by RHC IS at 1956, otherwise sig was very good though weak (Fine VA 3/4)
- 15345 **MOROCCO RT Moroccan(p)** in AR 1958, AR mx, single pip 2000, ID per WRTVH, orchestral mx, into more AR mx 2019 (Nelson OR 2/12)
- 15410 **UNIDENTIFIED UnID** at 0249, Qur'an reading to 0259, OM w/sermon?, too weak and choppy to copy language or hear any possible ID (Hill MA 3/19)
- 15425 **SRI LANKA SLBC(t)** in EG/lang 0150, lots of fading but ment of Sri Lanka heard (Linonis PA 3/4)
- 15476 **ANTARCTICA LRA36(p)** in SP 2015, started as "null" in dial, up to faint audio by 2020, mx, OM & YL tlk to 2048, carrier off at 2052 (Sgrulletta NY 2/18)
- 17730 **MONGOLIA R Free Asia** relay in Tibetan (p) 0237, terrible signal from a sick xmtr with an ugly growl on the carrier, //7560 Armenia relay very strong (Hill MA 3/19)

WORLD OF RADIO AND CONTINENT OF MEDIA
SHORTWAVE-ONLY SCHEDULE AS OF MARCH 14, 2000

We have some additional times on RFPI, another time on WBCQ,
and some changes on WWCR.

Days and times strictly UT. Note: all WWCR and WBCQ times
shift one UT hour earlier from April 2 on same frequencies.

For latest updates see

<http://www.angelfire.com/ok/worldofradio>

Wed 1730 COM RFPI 25930-USB

Wed 2230 WOR WBCQ1 7415

Wed 2300 WOR RFPI 25930-USB 15049 6975 [NEW March-May]

Thu 0700 WOR RFPI 6975 [NEW March-May]

Thu 0930 COM RFPI 6975

Thu 1500 WOR RFPI 25930-USB [NEW March-May]

Thu 2130 WOR WWCR 15685 [ex-9475 Dec-Feb]

Fri 1030 WOR WWCR 7435

Fri 1900 COM RFPI 25930-USB

Fri 1930 WOR RFPI 25930-USB

Fri 2130 WOR WBCQ2 9340-CUSB [NEW from March 10]

Sat 0300 COM RFPI 25930-USB 15049 6975

Sat 0330 WOR RFPI 25930-USB 15049 6975

Sat 0400 WOR WWCR 3215

Sat 1100 COM RFPI 6975

Sat 1130 WOR RFPI 6975

Sat 1230 WOR WWCR 15685

Sat 1730 COM RFPI 25930-USB

Sat 1800 WOR RFPI 25930-USB

Sun 0130 COM RFPI 25930-USB 15049 6975

Sun 0200 WOR RFPI 25930-USB 15049 6975

Sun 0330 WOR WWCR 5070

Sun 0730 WOR WWCR 5070

Sun 0930 COM RFPI 6975

Sun 1000 WOR RFPI 6975

Sun 2300 WOR RFPI 25930-USB 15049 6975

Mon 0131 WOR WWCR 3215 [changing to 0100, or by DST from
April, 0000 UT]

Mon 0601 WOR WWCR 3210

Mon 0700 WOR RFPI 6975

Mon 1500 WOR RFPI 25930-USB

Tue 1200 WOR WWCR 15685

Tue 1900 WOR RFPI 25930-USB

Tue 2000 COM RFPI 25930-USB

Wed 0300 WOR RFPI 25930-USB 15049 6975

Wed 0400 COM RFPI 25930-USB 15049 6975

Wed 1100 WOR RFPI 6975

Wed 1200 COM RFPI 25930-USB 6975

the page

COMMITTEE TO PRESERVE RADIO VERIFICATIONS

JERRY BERG, Chairperson • 38 Eastern Ave. • Lexington, MA 02173 • (617) 861-8481



You were excited when you learned that the xmtr for Radio Mediterranee Internationale was located in Nador. "Spanish Morocco," right? Imagine the thrill if you had been around in the 30's to hear one of these stations from the days of the "real" Spanish Morocco. EA9AH was a combination amateur and shortwave broadcast setup. Franco's key propaganda station in Morocco during the Spanish Civil War. Broadcasting from Tetuan, it was often heard in the United States around 1600-1800 EST on 7,010 and 14,030 kHz., and other nearby channels. The bottom QSL is from 1937, when the war was still in progress. The top one is from May 1939. By which time Franco had won the war and was in full control. +++ Radio Tetuan was active in the mid-50's, eventually becoming Radio Dersa, the last shortwave outlet in Tetuan. It disappeared from the scene in 1960.

RADIO-TETUAN
(LA VOZ DE ESPAÑA EN AFRIKA)

Tetuan, 7 de Mayo de 1937

FRANCO FRANCO ARRIBA ESPAÑA

RECEIVED
7ENE
217

Paul Eary
158 Dupont Avenue
Jamaison P.A.
N.J. Co. A.

My dear sir,

Recibimos su atenta carta control de fecha 9 de diciembre pasado, que corresponde a nuestros programas en las días indicados.

Después de agradecer la atención para a dar a Vd. noticias y trasmitir español todos los días de 13 a 15 y de 18 a 22 (S.M.T.) tambien recibimos en la noche entre de 15 a 17 (O.M.T.) se tomase noticias en otras lenguas.

Le adjuntamos una fotografía del edificio donde tenemos instalados nuestros Estudios y Dirección técnica, y una vista parcial de nuestros instalaciones.

Le saludamos atentamente.
JUN MARIO TETUAN

J. Arbió

Which I confirm with great pleasure - if it may interest you, will you kindly note that we always on the air at 10:45 PM (EST) 1:30 AM (EST) broadcast in Spanish, English and in Spanish with best luck on 7.0, above etc. etc.

LA ESTACION EXPERIMENTAL NACIONALISTA

EA9-AH

DE LA RUEDA DEL OESTE (España - España)

Saluda a la Estación **BRS 2768** de **Wabnah (S. O.)** tiene el gusto de acusarle recibo del QSO celebrado el día 11 de Septiembre de 1957 a las 23-15 GMT significándole que su ha sido recibida con **QRK** **QSA** comprensibilidad Tm. modulación y que esta Estación ha utilizado un emisor 500 W Output con antena "Johnson Q" y modulación Clase B y un receptor **F B X NATIONAL** Lo suyo - **Fernando Diaz Gómez**

aprovecha esta ocasión para agradecer como colega y amigo deseando se repitan esos QSO sin acordables y se comunica su **QRA APARTADO. 124 TETUAN**

MARRUECOS ESPAÑOL

OBSERVACIONES: *Very many thanks for your report*

Yours sincerely
Coronado Bay

Company Store

Dan Cashin
1335 Harrington Rd
Havertown, PA 19083

All s/h charges for the following items are included unless otherwise noted. Write for shipping and handling costs for orders shipped outside N. America. Please note the new proprietor and address.

Publications

<i>Transmitter Documentation Project (TDP)</i>	\$10.00 US
A result of 10 years of research by DXer Ludo Maes, the TDP presents 80 pages of info listing SW broadcast tx'ers worldwide arranged by country with station name, tx'er site, geographical coordinates, callsign and more	\$13.00 worldwide
<i>Shortwave Listening Guidebook</i>	\$19.95
by Harry Helms. Covers equipment, antennas, propagation, station profiles, utilities, clandestines, QSL'ing, etc. 315 pages.	+2.00 s/h
<i>Secrets of Successful QSL'ing</i>	\$12.95
by Gerry Dexter. The complete guide to Reception Reports and QSL collecting. Going out of print! Get it while you can. 125 pages.	+1.00 s/h
<i>Limited Space Antenna Solutions</i>	\$13.00
by Frank P. Hughes. Covers the random wire, dipole, vertical, outdoor, loft and indoor antennas, antenna tuners, and grounds.	+1.00 s/h
<i>Inside Your Shortwave Radio</i>	\$13.95
by Ted Benson. Companion to your receiver's instruction manual, filling in what your manual leaves unclear.	+2.00 s/h
<i>NASWA Country List and Awards Program Booklet</i>	\$3.00 PP US \$5.00 elsewhere
<i>The System</i>	\$2.00
Masters for Log Book, QSL Reports, Program Notes, and QSL Log.	
<i>Propagation Predictor</i>	\$3.00
Divides the year into 27-day segments for tracking solar patterns.	
<i>Spectrum Log</i>	\$8.50
Covers Tropical and International bands.	
<i>NASWA Reprints Catalog</i>	\$3.00
A catalog of 800+ pages of info available from past NASWA issues.	
<i>Joe Carr's Receiving Antenna Handbook (Currently out of stock)</i>	\$19.95
A complete guide for high performance antennas from longwave all the way to the upper end of the shortwave spectrum.	+2.00 s/h
<i>QSL Signers</i>	\$3.00 PP NA \$5.00 elsewhere
by Al Quaglieri. This is the most comprehensive and up-to-date list of verification signers names, titles, and addresses available anywhere!	
<i>Language Lab</i>	\$12.00 Each +1.00 s/h
by Gerry Dexter et al. Guides to reception report writing. Editions available for French, Portuguese, and Indonesian. When these are gone, they're gone for good! Tiare Publications.	
<i>Tapes: Interval Signals from Africa, Asia, or Europe:</i>	\$11.00 PP caUS \$13.00 elsewhere
by Harold Hausenfluck, "Hausie"; WB4JSP: Each tapedigitally mastered approx 90 minutes of ID, Interval Signal & program detail. Asia contains 23 countries/32 stations; Africa contains 20 countries. Excellent job!	

Make checks payable in U.S. funds to "The NASWA Company Store."



North American Shortwave Association
45 Wildflower Road
Levittown, Pennsylvania, 19057

First Class Mail
U.S. Postage
PAID
Levittown, PA
Permit No. 319

FIRST CLASS MAIL



The Journal of the
North American Shortwave Association

ISSN 0160-1989

Executive Director: Richard A. D'Angelo, 2216
Burkey Dr., Wyomissing, PA 19610

Publisher/Business Manager: Bill Oliver, 45
Wildflower Road, Levittown, PA 19057

Executive Council: Jerry Berg, Ralph Brandi,
Bob Brown, Dr. Harold Cones, Rich D'Angelo,
Fred Kohlbrenner, Bill Oliver

EDITORIAL STAFF

Managing Editor: Dr. Harold Cones, 2 Whits
Court, Newport News, VA 23606

Desktop Publishing/Graphics: Ralph Brandi,
P.O. Box 491, Lincroft, NJ 07738

Shortwave Center: Jerry Lineback, 506 S.
Lawrence Ave., Scranton, KS 66537

Easy Listening: Richard Cuff, 327 Springhouse
Road, Apt. 102, Allentown, PA 18104

Listener's Notebook: Al Quaglieri, P.O. Box
888, Albany, NY 12201-0888

Technical Topics: Joe Buch, N2JB, P.O. Box
1552, Ocean View, DE 19970-1552

QSL Report: Sam Barto, 47 Prospect Place,
Bristol, CT 06010

Distributing Editor: Fred S. Kohlbrenner, 2641
S. Shields St., Philadelphia, PA 19142

Tropical Band Loggings: Sheryl Paszkiewicz,
P.O. Box 152, Manitowoc, WI 54221-0152

International Band Loggings: Wallace C.
Treibel, 357 N.E. 149th St., Seattle, WA 98155

Net Notes: Tom Sundstrom, W2XQ P.O. Box 2275,
Vincentown, NJ 08088-2275

Scoreboard: Fred S. Kohlbrenner, 2641 S. Shields
St., Philadelphia, PA 19142

NASWA Awards: Dr. Harold Cones, 2 Whits
Court, Newport News, VA 23606

English Schedules: Mark J. Fine, 11252
Cardinal Drive, Remington, VA 22724-2032

Listener's Library: Skip Arey, N2EI
P.O. Box 236, Beverly, NJ 08010

Equipment Reviews: Alan Johnson, N4LUS
2490 Sharon Way, Reno, NV 89509

The Company Store: Dan Cashin, 1335
Harrington Road, Havertown, PA 19083

MEMBERSHIP FEES:

United States (First Class Mail) \$26.00

Canada & Mexico (First Class Mail) \$27.00

Overseas (ISAL Mail):

Central & South America and Europe \$30.00

Asia, Africa and Pacific \$32.00

Overseas (Air Mail):

Central & South America and Europe \$36.00

Asia, Africa and Pacific \$42.00

All remittances must be in U.S. funds and mailed to:

NASWA
45 Wildflower Road
Levittown, PA 19057
U.S.A.

NASWA: <http://www.anarc.org/naswa/>

