

NASA

the
JOURNAL

NORTH AMERICAN SHORTWAVE ASSOCIATION

Volume XXXIII, Number 2

February, 1993



亞洲之聲

Voice of Asia

New Arrivals at Universal Radio!

YAESU

FRG-100



The new Yaesu FRG-100 receiver provides the performance of a quality communications receiver at an affordable price. It provides solid coverage from 50 kHz to 30 MHz in CW, SSB and AM modes (FM mode with optional #0816). The latest microprocessor technology is used to merge performance and reliability with easy operation and functional simplicity. The FRG-100 incorporates features that both the casual and serious shortwave listeners will appreciate. Reception modes and most receiver functions are push-button selectable from the front panel. A crisp back-lit LCD with adjustable brightness provides frequency read-out and important operational status at a single glance. Selectable tuning steps of 10 Hz, 100 Hz and 1 kHz are standard, with other tuning steps programmable by the user. Fifty tunable memories store frequency, mode and filter information. Two additional memories provide band-edge information used for scanning. The FRG-100 has programmable 12/24 hour clocks and sleep timers to enable you to automatically switch the receiver on/off to record your favorite broadcasts. Multi-function scanning (memory, band, selectable group or priority) with carrier or time-delay is supported. A special broadcast band mode enables convenient selection of 16 pre-programmed international broadcast bands. The FRG-100's adjustable SSB carrier offset permits you to custom tailor the receiver's audio response. CW enthusiasts will enjoy the reverse BFO offset and selectable CW sideband. Installation of the 250 or 500 Hz narrow filter further enhances CW reception and interferences rejection. Other features include adjustable AGC, RF attenuator, noise blanker, all-modes squelch, and signal strength meter. The Yaesu CAT system provides a direct link to the CPU in the FRG-100, allowing a personal computer with the optional Yaesu FIF CAT interface. This can provide computer controlled customized scanning and remote control of most receiver functions. Other options include: TCXO-4 Hi-Stability Osc, FM-100, and CW filters.

SPECIFICATIONS

Dimensions	9"W x 3.6"H x 9.3"
Weight	6.6 Lbs. (9 Lbs. ship)
Frequency Range	50 - 30000 KHz
Power	11-13.5 VDC 1.2A
Antenna Impedance	50 or 450 ohm
Selectivity (-6dB)	AM-W 6.0 kHz AM-N 4.0 kHz SSB/CW 2.4 kHz FM (opt.) 15.0 kHz
Sensitivity	<25 μ V 1.8-30 MHz SSB <1 μ V 1.8-30 MHz AM (S+N/N=10dB)
Freq. Stability	<± 10 p.p.m. 0-50°C
Intermediate Freqs.	1st IF = 47.21 MHz 2nd IF = 455 kHz
Audio Output	1.4 Watts at 8 Ohms
Squelch Sensitivity	<2 μ V 1.8-30 MHz (CW, SSB, AM) <32 μ V 28-30 MHz (FM)
IF Rejection	>70 dB (1.8-30 MHz)
Image Rejection	>60 dB (1.8-30 MHz)
Standard Steps	10Hz/100Hz CW/SSB 100Hz/1kHz AM/FM
Circuit Type	Dual Conv. Superhet

FRG-100 List Price	\$599.00
FRG-100 Discount Price	
Order #2786	\$549.95 (+\$9)

Quality US Tech 8A



The World Access Radio model 8A was completely designed and built in the United States. Over 75% of the total dollar value of the components are made in America. This continuous coverage, LED digital receiver tunes 100 kHz to 30 MHz to include longwave, medium wave and all of shortwave. The 8A also receives the FM broadcast band! The dual conversion circuit provides good sensitivity and image rejection. A 7 kHz bandwidth is supplied. You can tune the 8A with the manual tuning knob or by the built-in keypad. Shortwave tuning resolution is user selectable at 1 or 5 kHz. Sixty non-volatile memories store frequency and band (AM/FM or SW). The 8A can scan or scan presets. It has a telescopic antenna plus you can also attach a long wire antenna for extra pulling power on FM and shortwave. A full featured (12 or 24 hour) clock-timer circuit is featured with a 24 event timer. A rear mounted DIN jack is provided for record-out and recorder activation. The 8A comes with a power adapter (115VAC to 9 VAC) and is ready to play. In attractive light oak wood-like grain cabinet. Optional wood cabinets available soon. 12"W x 7"H x 5"D.

World Access Radio 8A

List \$289.95

Order #1483

\$239.95 (+\$6)

WORLD RADIO TV HANDBOOK 1993 Edition

Considered the SWL's Bible with schedules, frequencies and addresses of shortwave broadcast stations. Organized primarily by country. Also includes a by-frequency listing of SWBC stations. 47th Ed. ©1993 Billboard. 608 p. Order #2000 \$19.95 (+\$1 shipping)

THE 1993 WRTH EQUIPMENT BUYERS GUIDE

By W. Boe & J. Marks. A complete and objective buyer's guide to the current shortwave receiver market. Designed for the new or experienced worldband listener. Coverage includes portables and communications receivers, plus antennas, auto units and computer control software. ©1993 Billboard. 270 p. Order #1993 \$19.95 (+\$1 shipping)

DISCOVER DXING! - AN INTRODUCTIN TO TV, FM AND AM DXING
By John Zondio. This book provides a readable introduction into DXing AM, FM and TV. Topics include: propagation, seasonal conditions, equipment, antennas and reference materials. There is an excellent section on "best bets" for hearing fifty states on AM. ©1992 Universal Radio Research. Order #0010 \$4.95 (+\$1 shipping)

- HUGE 1993 catalog available on request!
- Used Equipment List available on request!

SANGEAN

ANT-60

The Sangean ANT-60 portable "roll-up" shortwave antenna will improve the reception of any portable worldband receiver. The antenna wire may be extended up to 23 feet (7m). Unlike other reel antennas, the ANT-60 terminates with a mini-plug. (3.5 mm). This will plug into the external antenna jack of most portables. If your receiver does not have a mini external antenna jack, an adapter plug is provided to clip the ANT-60 to your telescopic whip. Works with all brands of portable radios.

Sangean ANT-60

List \$15.95

Order #3184

\$10.95 (+\$3)

universal
radio inc.

Universal Radio, Inc.
6830 Americana Pkwy.
Reynoldsburg, Ohio
43068 U.S.A.

➤ 800 431-3939 Orders
➤ 614 866-4267 Info.
➤ 614 866-2339 FAX

NASWA Notes

Bob Brown KW3F
238 Cricklewood Circle
Lansdale, PA 19446
CompuServe 74756,1557
Genie R.BROWN106
Packet KW3F @ WB3JOE



With the Winter SWL Fest only a few weeks away, things are quite busy around here. I'm looking forward to seeing many of you at The Fest. We'll have a report on the event in next month's *Journal*.

Glenn Hauser's DX Daily

Starting February 1, Glenn Hauser will produce a 'weeknightly' DX program that will bring DXer's hot DX tips without delay. Called DX DAILY, Glenn's show will air weeknights 10PM CST (Tue-Sat 0400-0415 UTC) on Radio Miami International via WRNO, 7395 kHz. Unlike World Of Radio, airtime must be purchased, commercial spots sold, and donations received from the viewers who benefit from it. Two major sponsors have committed to a 4-week trial period throughout February, plus others on a smaller scale, and more are needed. If DX Daily is

something you have been looking for and you find it a useful addition to your hobby, it will need your financial support to keep airing. Donations payable to Glenn Hauser, Box 1684, Enid, OK 73702. We wish GH success with this effort!

The Grand Tour With Cancer And Capricorn

The 1993 International DX Contest sponsored by the Danish Shortwave Clubs International runs from March 19th to April 4th, 1993 2400 UTC. Open for all shortwave listeners regardless to their membership in any DX club. Each participant receives a contest diploma with classification and a list of participants including their result. The first three participants will be awarded non-cash prizes, three additional prizes will be awarded by a random drawing of all partici-

Welcome to the following new NASWA members -

Harvey S. Berk, Valrico, FL
Dave Beron, Duluth, MN
John Blue, Burton, MI
James S. Brown, Altus, OK
Tom Bruman, Memphis, MI
David A. Carroll, Paducah, KY
Christopher Carter, Arroyo Grande, CA
Martin F. Causby, Denmark, SC
James W. Clifton, Cedar Rapids, IA
Walter B. Fair Jr., Houston, TX
Glenn V. Fuguitt, Madison, WI
John Gage, Setauket, NY
Douglas Gregson, Piti, GU
Tom Grinstad, Bellingham, WA
Ira Hackler, Gretna, LA
Jack Halow, Waynesburg, PA
Ellis C. Hamby, Yadkinville, NC
Donald Hastert, Minnetonka, MN
John Jaime, New York, NY
Stephen Jarvis, Long Beach, CA
Richard J. Kochendofer, Prattville, AL
Thomas W. May, Plano, TX

Michael Z. McNaney, Norfolk, VA
Randy Morton, Omaha, NE
Donald J. Nevin, St. Paul, MN
Wayne Norman, Costa Mesa, CA
Jack Olger, Grand Haven, MI
Ed Rausch, Cedar Grove, NJ
Khalil S. Rizk, Lorain, OH
Joel Roitman, Richmond, KY
Thomas A. Schopp, Saginaw, MI
Mr. Wm. Gary Smiley, Tacoma, WA
Michael Stine, Clinton, MD
Elliot B. Straus, Toms River, NJ
Peter K. Sullivan, Easthampton, MA
Chris Sweitzer, Davenport, FL
Frank Traum, Grosse Pointe, MI
Howard Weinstein, Marlton, NJ
Barry J. Weiss, New City, NY
Mike Whaley, Bossier City, LA
Dennis Whiting, Stevens Point, WI
Marion V. Wilson, Milford, CT
Mark Zagursky, Harrisburg, PA

Our Motto is - "Unity and Friendship"

pants regardless of their scoring. The contest form, which contains the rules, logsheet, and score sheet can be obtained for 1 IRC from: Jaroslav Bohac, Jizerska 2900/11, 400 11 Usti n.L., Czechoslovakia.

Club Notes

Bill Oliver asked me to remind you that you should contact him if you have any problems with your membership or receiving your Journal. If you'd like, you can call Bill at (215)945-0543. Since Bill is retired now and has nothing to do !?!, you can call anytime during the day or early evening. If you prefer to write, use the headquarters address on the back cover. Bill is also on GENie as W.OLIVER4.

I understand that there will be a new NASWA

ANARC SWL Ham Net

Tune in Sunday mornings at 10 A. M. Eastern Time on 7240 LSB for the latest in shortwave listening, DX tips, and up to the minute hobby news. Contributors share their DX tips via their own amateur radio stations or by telephoning a "gateway" station who then broadcasts the relayed tips. Net Controls Bob Brown KW3F and Dave Kirby N8JQX host an always lively gang of DX monitors. (Best heard in the eastern half of NAM)

reprint catalog at the Company Store shortly. Send \$2 to The Company Store (check back cover for address) for your update.

Till next month - 73

Musings

This column provides a forum wheras members can express comments, ideas, and thoughts about NASWA or the SW radio hobby. Please feel free to comment on anything presented this month (or previous months), or use next month's theme as a basis for your discussion. Next month's theme is - How my spouse (or companion, significant other??) tolerates, enjoys, or participates in my hobby. The monthly theme is only used as a suggestion for discussion. Any other items of interest to members may be also submitted. Because I edit this column, I'll jump in with responses where appropriate.

Gerry Dexter, RR 4 Box 110, Lake Geneva, WI 53147

Those Were the Days (Weren't They ?)

While digging through some old files recently I came across a " little black book " which I had used for many years to make note of stations I wanted to try for. The book had been retired once it got so full there was no more room to add pages. Of course I had to page through it and see what was hot in those days. There were, of course, about a kazillion Latins, Soviet regionals and Indonesians being sought along with a number of other stations which I've listed below. The period covers the early 1960s to around the late 1970s.

- 3210 - R.Cl. Mozambique, Quelimane, //4902//7145, 0700*
- 3240 - Aero Clube do Beiro, Mozambique
- 3370 - R. Universite, Malagassy
- 3915 - Notre Dame Bc. Corp., Philippines
- 3990 - Armed Forces Network (US), Taiwan //7215
- 4500v - La Voix du Nord Est, Ft. Liberte, Haiti
- 4500 - United Lao Races, clandestine
- 4740 - R. Maldives
- 4860 - R. Clube Congo Portuguese, Carmona, Argentina, 2130
- 4875 - R. Cl. Mozambique, Porto Amelia, //7150
- 5030 - 4VGA, Haiti, 2330
- 5370 - Royal Melbourne Institute of Technology, broadcasting educational courses
- 5514 - R. Colon, Argentina, SSB sports relay
- 5993 - R. Coquilhatville, Congo *0630
- 5960 - Radio Hogar, Panama 0400*
- 5995 - Greek Forces Radio, Serrai *0555
- 5995 - Cheng Sheng Bc Stn, Taiwan, 1100

- 6090 - Radio Beira, Dondo, Mozambique *0428
- 6100 - R. Cayes, Haiti, *1000
- 6105 - V. of the Chinese Air Force, Taipei
- 6125 - R. Kasai, Zaire *0400
- 6115 - R. Tabriz, Iran, *0220
- 6170 - Voice of Hope (S. Korean Army) 0815
- 6175 - Rdf. Capoise, Cap Hatien, Haiti 0300*
- 6400 - Or Sor, Thailand
- 6478 - Persian Gulf Liberation Radio
- 6520 - Radio Cordan, Iran, 6520
- 6600 - R. Kukesi, Albania to 2000* (alt 6730)
- 6663 - Voice of Free Cyprus, *0500
- 6818 - Radio Sanandaj, Iran
- 6850 - Polish Pathfinders, to 1700 exc. Mondays
- 6940 - Radio Rezaieh, Iran
- 6965 - Bandirma Meteorological Station,, Turkey 0630
- 7019v - R. de Luego - Voice of Free Cuba, weekends
- 7040 - R. NYAB, Bhutan
- 7119 - Voice of Nagriamal, New Hebrides, clandestine 0950, //3950v
- 7200v - Voice of Righteousness, Taiwan
- 7195 - V. of the Arabian Peninsula People, cland, *0400, //8885//9525
- 7260 - V. of the Chinese Air Force, Tianan, Taiwan
- 7280 - DXH2, Mindinao, Philippines, tests
- 7650 - TRT Hakkari, Turkey *0355
- 7888 - Radio Isfahan, Iran
- 8215 - R. Shkodra, Albania 0615
- 8402 - Gaelic Freedom Fighters (supposedly on an island near Scotland) *0400
- 10600 - unid Spanish language time station
- 11485 - Radio Free Russia 1545-2000*
- 11830 - R. St. Helena, ITU registration, 1530-1830
- 15018 - Radio Swyne (pirate) to 2000
- 17777 - R. Cl. Portuguesa, Portugal 0000*

I'm happy to say that the vast majority of the items in the book had been red-lined, indicating the station had been logged. Unfortunately, the stations listed above - now long gone - were not on that category. They were never heard. Not by me, anyway.

Barry A. Schwartz, N2SHP, 72-22 153 St., Apt. 211, Flushing, NY 11367

I received the following information from the U.S. Department of the Navy, Naval Support Force Antarctica, and I pass it along to those interested in Antarctica DXing:

"Currently we are not broadcasting via shortwave, as we are awaiting the installation of equipment necessary for such transmission. As a result, there are no broadcast schedules available at this time. We now expect to have our assigned shortwave frequency, 6012 kHz, operable by the end of December 1993. Your request for information may be addressed at that time."

The letter was signed by W.A. Langhome, Lieutenant (junior grade), U.S. Navy, Public Affairs Officer (by direction of the Commander). The full address for Operation Deep Freeze is: Department of the Navy, Naval Support Force Antarctica, FPO AP 96601-6010.

Raymond Dahlin, 323 So. Park, Westmont, IL 60559

I may or may not be the only DXer who experiences some mixed emotions, like when I try not to be annoyed when I am informed in a loud and clear voice - "your dinner is ready, and it's hot NOW!"

I quietly suppress a deep sigh, and make a solemn vow to my radio and chair, that I will be back as soon as I polish off the hot vittles. I often hear remarks from my daughter - who is a wonderful, but hard-boiled, traveling Medicare nurse - like "he must be glued to that chair".

Well no - because if I was, I'd have feathers sticking out of my butt, because I sit on a big stuffed pillow. When I go to my final reward, I wonder if the good Lord will allow me to use my radio up there - maybe if I promise to always use my earphones. Amen.

Andrew Wallace, 732 Stevens St. Apt. 2, Lowell, MA 01851-4938

BAD GUYS DXPEDITION - OSSISPEE, NH

or "When Good DX Happens To BAD People"

The June, 1980 issue of FRENEX has an excellent article in it, authored by Brian Cartwright and entitled "What -- Communal DX?" Ever since I read that article when I was 16, I've loved the idea of DXing among friends. For about two years now, the reincarnated Boston Area DXers have been meeting monthly and nearly from the beginning the idea of a DXpedition has been on our minds. Unfortunately, it's always been in the "yeah, that's a great idea -- let's plan it out next month" section of our minds!

Well, we finally said the heck with planning and DID it. The weekend of November 14th and 15th, 1992 was the date of our first DXpedition. Not all of our 40 or so BAD guys members could go, but it was decided that two locations and a handful of DXers would make an interesting experiment. One contingent, consisting of Paul Graveline, Ben Krepp, Steve McNeil, Jerry Berg, and Malcolm Kaufman, went to a small ski chalet in Barnard, Vermont. A cottage near Lake Ossipee, New Hampshire, housed myself, John Fisher, Mike Tucci, Paul Doherty, Ross Comeau and Steve Byan.

Since I only experienced the Lake Ossipee half of the DXpedition, I won't write much about the

Calendar Of Events

Feb 16 - Meeting, N.E. Ohio SWLs. Cuyahoga County Library, 9089 Brecksville Rd., Brecksville, OH (Rt. 21, just South of Rt. 82). 7:00 PM. For info send SASE to: NE Ohio SWLs, c/o Donald J. Weber, P.O. Box 652, Westlake, OH 44145-0652

Feb 18-21 The 6th Annual Winter SWL Festival, Kulpville Holiday Inn, Kulpville, PA. Registration form for SASE to Winter SWL Fest, PO Box 591, Colmar, PA 18915. Walk-in registration is available on Friday or Saturday morning.

Feb 20 - The Miami Valley DX Club (All band orientation) meets on the third Saturday of each month at 1 PM. Locations vary but are announced in advance. For info, call the MVDXC (614) 471-9973 Or, send a SASE to MVDXC, Box 292132, Columbus, OH 43229-8132

Mar 5 - Meeting, Boston Area NASWA Chapter, GTE Labs, Waltham, Mass. 7:30 PM For additional information please contact Paul Graveline (508) 470-1971, or via modem on Tom's BBS, (617) 698-8649 (300/1200/2400 baud), (617) 698-8734 (9600). **** NOTICE**** There will be no meeting in February!

Mar 5-7 The 1993 North American DX Championships, a shortwave listening contest sponsored by the Association Of North American Radio Clubs (ANARC). Information appears elsewhere in this issue of The Journal.

Mar 7 - The Tidewater SWLs meet on the first Sunday of each month at 6:30 PM. Location is the Steak & Ale Restaurant, 5764 Virginia Beach Blvd. (corner of Va. Beach Blvd. and Military Hwy.), Virginia Beach, VA. For info, call Joe Buch, (804) 721-2782.

Mar 19 - Meeting, Philadelphia Area NASWA Chapter. Kulpville Holiday Inn, Kulpville, PA. 7:30 PM Contact Dan Cashin (215)446-7831 **** NOTICE**** There will be no meeting in February - We'll all be at The Fest.

Members are invited to submit items to be included in this calendar to Bob Brown.

Barnard crew -- and perhaps one of them will write about it after seeing this article. (*See last month's Journal - ed.*) I can say without hesitation that the trip was one of the most enjoyable DXing experiences I've had. We did some planning -- no DXpedition will succeed without it -- but it wasn't a very involved process. Simply think about what you use to DX at your current location: receiver, antenna, coax, tape recorder, audio filter, WRTH, Passport, The Journal, et cetera. Then add to that the tools you'll need if you want to duplicate that at some other location: antenna wire, insulators, rope, slingshot (or fishing rod or bow and arrow -- whatever you use to get the antenna over that tree branch!), wire strippers, screw driver, etc. Then add to THAT what you think you'll need in addition based on the location you've selected. This could be as major as a power generator and tents or as simple as directions to the fully furnished cottage. Both halves of our DXpedition were to furnished cottages in reasonable rural areas. I believe this is the best combination for a first-time effort: enough comfort to DX comfortably, and enough acreage to string LONG antennas!

Some of the BAD guys were going to be at the sites late on Friday afternoon. John, Ross and I were driving up together on Saturday morning. After seeing some interesting New Hampshire sights like bumper stickers which proclaimed "Meat is DEAD!" and enough armed hunters to stage a coup in a small nation, we arrived at Ossipee. Searching the dirt road for the Tucci cottage, we spotted the empty Icom box by the driveway and figured, "this must be the place!" Once inside, we found evidence that Mike and Steve had been there since last night (one logsheet was full!). They weren't there now, though, so we stopped at the Indian Hut in town for lunch. You see, it's like Pizza Hut, only

We returned to find the two BAD guys there, and we unpacked our goods. Steve showed me the Beverage he had erected in the dark the previous night. It was supposedly 800 feet long and even crossed an unused road. There was a shorter one heading in a different direction and a baby longwire (80 feet) as well. We set up a 50 foot wire for John's R-2000 and called it quits for the antenna farm.

I thought I was pretty sensible in bringing pliers, a screwdriver, and some wire strippers along. However, Steve saved the day by bringing everything he could think of, including a soldering iron. Kudos to him, I say -- you can always leave it in the trunk, but where will you find some jeweler's screwdrivers at 3 A.M.?

Steve walked along the 800 foot Beverage to add a ground rod, but along the way dropped the terminating resistor. That's probably the only time I was ever glad Radio Shack packages resistors in pairs! Steve's tools also saved the day when I had to fix the connections to Ross' antenna and preamp setup. I even used the jeweler's screwdrivers. Moral of this story: take all the tools you think you'll need. Don't forget the sledge for the ground rods! When we finally finished setting up, we had at our disposal: an R-5000, an R-2000, an R-71A, a DX-400, two ICF-2010s and five antennas. All this for six guys! There were enough rooms in the place that each radio was in a separate area, all on the ground floor.

Looking at Steve's log sheet, it seemed that he had a fairly good night of DX, including Radio Kara from Togo, on 3222. Our real DX effort didn't begin until late afternoon, when Ross heard Sierra Leone on 3316 at 21:20 and alerted the rest of us. As I half ran into the room where Mike had his R-5000, I thought, "Sierra Leone? On a preamped DX-400 portable? Must be an image. MUST be!" Here's a public apology for my impure thoughts, Ross. We all heard the Sierra Leone ID, some news about pick-up trucks involved in a hit-and-run accident, and an ad for Bailey's Irish Cream.

About an hour later, we heard Radio Kara on 3221.3 as well. That didn't last long enough for a report, though, and we took a break for dinner. Ross' wife made some excellent Mexican dip, and we microwaved that to begin with. MICROWAVE? On a DXpedition, you say? Oh yes! We even had cable -- though to our credit I don't think anyone even turned on the TV. We're radio addicts, after all! The main course was a wonderful lasagna courtesy of Mike's mother.

We tuned around for a couple of hours after dinner, but the first catch didn't occur until 03:27, when the flute interval signal of The Voice of the Broad Masses of Eritrea was heard on 7380. John already had a recent QSL from this one and was surprised how well it was coming in now. We all gathered around Steve's Icom on the kitchen table to get reception report details for this one. It's not necessary to bring a radio for each person. Most of the time we wandered from room to room listening for anything interesting. When there was a good catch on, the word was passed and we all tried for it. Even Ross, who clung to his DX-400, heard 95% of what the rest of us heard. Ross claims the radio worked better when he held onto the whip antenna, and you could tell the good DX from the bad by the color of his knuckles!

We didn't have a real set of want-lists prepared. Armed with what the general crowd in NASWA and Fine Tuning was hearing, though, provided a few DX targets. I had been hearing Turkish Police Radio on 7370 for a few weeks. I hoped it would be coming in better at Ossipee with the long antennas. Around 04:55, we were rewarded with an IS repeated on what seemed to be a trumpet or a keyboard. There was a clear ID at 05:02, and this was a new one for three of us. Paul got it with no problem on the 2010, but moved on to other things. For sheer frequency range, Paul probably outdid the rest of us. He seemed quite happy to hear something and move on. Amazingly enough we only heard one pirate. It was Radio Esoterica, on 7415 (what a surprise) at 14:00 on Sunday morning.

We kept in contact by telephone with the BAD Guys contingent in Vermont. They seemed excited to hear Sierra Leone, but as the night wore on, Paul Graveline seemed to sound more like he'd rather count sheep than countries. Lin Sherwood from Shrewsbury also called and wondered what we were hearing.

There wasn't too much else heard after midnight. Conditions were rather noisy, and most of the tuning around was casual. We logged Caribbean Radio Lighthouse in Antigua on mediumwave and that provided some enthusiasm for AM-DX, but not much else was showing. Altruistic Andy crashed on the living room floor, in his sleeping bag. Everyone else had a bed or a couch... Around 03:00 local time I awoke with a suggestion for all future DXpeditioners: BRING ROLAIDS! Mexican dip, lasagna, junk food and midnight coffee combined to wake me with the feeling that I had just swallowed some jacks. A glass of milk helped, and I decided to take a walk for some air. It was perhaps 25 degrees Fahrenheit out, but I enjoyed it. I walked down to the pond (I thought it was Lake Ossipee -- judging size in the dark is tough) and stood at the shore for a while. Walking back up the road to the cottage, the frosty sand crunched under my feet like fake Hollywood snow. It's nice to have a scenic spot for a DXpedition, too!

When I walked back into the cottage, Mike was already up. We listened to some 120 Meter Australians on his R-5000 for a while. That was the first time I had heard Alice Springs (2310) and Tennant Creek (2325). A het was showing up on Katherine's frequency of 2485 but we couldn't pull any audio from it. Between eleven and twelve hours GMT I busied myself at Steve's Icom. I caught two Taiwanese stations: Central Broadcasting System (6180) and WYFR via the Voice of Free China (9280). I copied down enough for a report, and moved on to 6570 kHz. I was rewarded with The Myanmar Defense Forces station at 11:47! John mumbled something which could have been interpreted as "I already have it" when I woke him, so I let him sleep. I tuned it in on Mike's receiver for him, but I think he turned the radio off soon afterwards. Sometimes, sleep is better than DX! By now Ross was up and mind-melding with his radio. He brought us Radio Veritas Asia at 12:30 on 9520, and that was the last DX catch of the morning.

We wanted to share our logs with everyone, so we called them into the ANARC SWL Net (10 a.m. EST Sundays, 7240 LSB) gateway. To bait the VT crew, we prefaced our logs with " we heard everything they did, plus these others ..."

It was sad to see that everyone had had enough by noontime Sunday. We packed our gear, took down the antennas, and cleaned the cottage up. However, as I look back at the experience, I can see that we did something quite enjoyable and worthwhile. We were all able to hear some new stations and countries. Sierra Leone and Alice Springs were exciting to me because my antenna does nothing for frequencies that low. Who knows what countries Ross will hear now that his antenna connections are clean! Steve and I shared opinions about the R71A. It was interesting to try out an R-5000 for the first time, and the external keypad Steve bought for it (the "QSyer") is a MUST. I also got to try out a Datong FL-3 audio filter. We admired each other's QSL collections and took down likely prospects from our logbooks.

I hope you've been convinced that a DXpedition, even a modest one like ours, is a worthwhile project. Prepare your equipment in advance. Take all the printed references you think you'll need. Take all the tools you can! Make sure the antenna wire and related equipment is adequate. Check out the area for regulations about antennas and campfires, etc. Also, everyone should make a hit-list of perhaps ten likely prospects from current DX bulletins. THAT is what I'm going to do for NEXT time -- and "next time" is already in the works! Thank you, Mr. Cartwright -- it took twelve years but I finally enjoyed " Communal DX ".

(Correspondence welcome)

For information on the Boston Area DXers meetings, held in Waltham, MA, call Paul Graveline at (508) 470-1971.

This month Hans Johnson tells us all about Ramadan and how it's observance is carried by shortwave stations in Islamic countries. Bill Kurrasch shares with us the tale of the misdirected reception report of NASWA Portraits Editor Jerry Klinck. **Attention NASWA Members!** I need your articles to keep these pages full! Of particular interest are DXing tips and techniques, station profiles, antenna construction articles, and anything else related to DXing the shortwave bands.

Ramadan And Shortwave Radio

*by Hans Johnson**

Perhaps you have read a log in your club bulletin: "On late for Ramadan." Great, but what is Ramadan and how does it effect your shortwave listening? This article will explain what Ramadan is and provide you with a list of target countries and stations to try for during Ramadan.

Ramadan is a month long daytime fast observed throughout the Islamic World. Almost all Muslims in countries as diverse as Indonesia and Mauritania will observe this fast. Ramadan is the ninth month of the Islamic calendar, but since this is a lunar calendar, it will move up 11 or 12 days a year in relation to the our calendar. The month of Ramadan officially starts when qualified observers first see the crescent moon in the western sky around sunset, that is, in the days immediately after the new moon. Ramadan officially ends when the moon is observed in the same phase the following month. Many countries have observers so Ramadan may start or end a day early in a particular country. This year, Ramadan will start on or about February 21st.

Ramadan is one of the five pillars of Islam, that is, it is obligatory for all Muslims and

therefore is almost universally observed. Ramadan dictates that one abstain from food and drink, smoking and sexual relations during the daylight hours of the entire month. This is to be a time of religious reflection, prayer and meditation and the fast is suppose to focus one's mind on what is truly important in life. Exceptions are made for pregnant women, the ill or infirm and soldiers at war. These individuals should fast at a later time.

Ramadan is also a time of great merry-making with feasts and banquets every night until the late hours. Cannons are fired in the evening, marking the end of the fast for that day, as the "Iftar" (breaking of fast) meal is enjoyed. The celebrations are continued into late in the night and one last meal is enjoyed before first light. Everyone then heads home for a couple of hours of sleep before starting work. Most workers are able to work greatly reduced hours during Ramadan but some manual laborers continue to work hard during the fast.

During Ramadan, stations in the Islamic World operate on extended schedules or even transmit 24 hours a day. We will start in the west and work our way east. All times are in UTC and all frequencies are in kilohertz.

* 7529 Red Cravat Court
Columbia, MD 21046

Africa

The Islamic states are in the north part of the continent. The countries that offer the best possibilities for enhanced and/or extended reception are listed below:

Algeria - check 6160 and around 15205 late in the afternoon, say after 2200.

Djibouti - 4780. One of my favorites that is unfortunately blocked by a ute at 0300 sign on. This ute is not heard during the afternoon last year Djibouti stayed on until 2300 during Ramadan.

Sudan - reportedly has a transmitter on 4994v that signs off at 2200. Glenn Hauser reported BBCMS information that the station will sign off at 2300 during Ramadan, but I would look for this one staying on later or all night.

The Middle East

This region is the heart of the Islamic world with its 3 holiest cities: Mecca, Medina and Jerusalem located in this region.

Bahrain - The most difficult country to hear in this region. Look for the station in Arabic on 9746 in the late afternoon after its usual 2115a sign off.

Iraq - This country, obviously suffering from an economic embargo, is becoming increasingly difficult to hear. Try around 7430 early in the evening, say, between 0000 and 0200. If the station is jammed, try each sideband individually as the jammer often broadcasts in only one of them.

Saudi Arabia - If you count stations as I do then this country offers a chance to pick up a new station that only broadcasts during Ramadan. The station is Radio Islam from Holy Mecca- Ida'at Islam min Mecca Al-Mukarama. This should not be confused with the Call of Islam station which transmits year-round. Try on the sub-harmonic of 4852.5 (½ of 9705) at around 0130.

Asia

Islamic states are scattered around the region with the largest Islamic state in the world, Indonesia, located here.

Indonesia - With a lot of help from Dave Clark's logs and Gordon Darling's Indonesian Activity Summary it appears that most Indonesian stations are on extended schedules for Ramadan. So look for your favorite Indos coming on earlier in the evening and staying on later in the morning.

Pakistan - I would look for the regional services of Peshawar 7110 and Quetta 7170 (evenings) 7150 (mornings) and especially check what might be Azad Kashmir on 3664.4 as well as 2520 where the station in Muzaffarabad has also been reported.

Perhaps you will take part in the celebration of Ramadan this year by hearing some new DX. Don't forget to report your loggings and QSLs to the respective columns and be sure to include return postage with all your reports. Good listening and best of DX.

RADIO TECHNIQUES

a program
for the amateur radio operator
and shortwave listener

WWCR 100,000 WATTS

NASHVILLE, TENNESSEE USA

Sundays 6PM EST/2300 UTC 15.685 MHz
Tuesdays 8:30AM EST/1330 UTC 15.685 MHz

It's All In The Address

By Bill Kurrasch

This hobby of ours can really be an exercise in frustration at times. Imagine, after finally catching the signal of an elusive clandestine station, carefully detailing everything you heard into a precisely worded reception report and sending that report along with a tape of that coveted transmission off to an address that you got from a "hot tip" only to find out that the address you sent your records to turned out to be not exactly where it needed to go!



Jerry Klinck at the Master Controls of his recently acquired Drake R-8. Jerry also completed renovation of his "shack" not long ago. Looks like he has plenty of room to hear those weak signals!

Voice of the Broad Masses of Eritrea
Information Department
P.O. Box 872
Asmara, Eritrea

Voice of the Broad Masses of Eritrea
P.O. Box 2571
Addis Ababa, Ethiopia

Jerry's report was forwarded to the New York address listed above and he recently told me that he hasn't received a reply yet. You may do better by sending your report to one of the other addresses listed here. Replies have been received from each, but you can expect a 4 to 8 month delay in receiving a response from them.

This is precisely what happened to Jerry Klinck, NASWA's "Portraits" editor. After capturing a signal from the "Radio Voice of the Broad Masses of Eritrea", Jerry zipped off a tape and report in hopes of receiving confirmation of his transmission in the form of a QSL card.

Although Jerry did receive a reply to his report, (next page) it was not exactly what he was looking for. Nonetheless, the letter is very interesting and does shed some light on the history of this broadcaster.

If you are lucky enough to hear the "Radio Voice of the Broad Masses of Eritrea and you would like to try for a QSL, send your report to one of the following addresses:

Eritrean Relief Association
475 Riverside Dr. Room 907
New York, New York 10115

FRITS N. EISENLOEFFEL
DEN TEKSTRAAT 49
1017 XZ AMSTERDAM
TELEFOON 020-250562
POSTGIRO 717383

Mr. Jerry Klinck
43 Lein Road
West Seneca, N.Y. 14224
U.S.A.

===== 23 MARCH 1992 =====

Dear Mr. Klinck,

A few days ago I received your letter about your possible reception of Radio Voice of the Broad Masses of Eritrea. Thanks for your interest!

To begin with, I'm sorry to say that I have to disappoint you. I am in no way personally linked to the radio station you refer to. I only happen to know of it's existence somewhere in Eritrea. Also, I did happen to visit it's offices several times in the early 1980's, as a journalist and reporter for technical humanitarian agencies. They operated litteraly underground then, from studio's dug out into the rocky mountainslopes of the Northernmost Sahel province. Sorry!!
Underground - so as to find protection against the bombardment sorties of the Ethiopian Soviet supplied MIG bombers.

Well, they were never bombed out of the air, and the Eritreans have achieved a provisional phase of independence ^{last year} and may have come 'upground' by now. Still, I'm sure they'll be delighted to learn that their transmissions have been monitored as far away as West Seneca, N.Y. - U.S.A.

I am very curious - meanwhile - how come you link my name and adress (only slightly misspelled here & there) to this unique radio station?
Would you please be so kind as to let me know how you tracked me down?

Meanwhile I'll send your tape and letter back to the U.S.A., to a representative in New York of the Eritrean Relief Association, their humanitarian relief-organisation. I'm sure they'll know more about Radio Voice of the Masses, than I.

The adress of ERA in New York, N.Y. where I'll forward the tape is as follows:

Eritrean Relief Association
475 Riverside Drive, room no. 907
New York, N.Y. 10115
U.S.A.

If you manage to monitor any new transmissions from the Voice of the Masses, I'm sure, this office is your best place to ask for confirmation.
Maybe, it will help to encourage you that I can say that the music I hear on your tape does to me appear to be Eritrean, so you do seem to be searching in the right direction.

Also, I do know that the Eritreans love to make friends all over the world and will be delighted to read the sympathy you express in your letter.
If radio links can contribute to creating friendship between far away parts of this world, they may possibly also contribute towards a better world for all it's inhabitants. Who knows? Best greetings,
Frits N. Eisenloeffel
12/12-92

FRITS N. EISENLOEFFEL
DEN TEKSTRAAT 49
1017 XZ AMSTERDAM
TELEFOON 020-250562
POSTGIRO 717383

Easy Listening

Richard D. Cuff
213 Parkview Avenue
Allentown, PA 18104-5323
GENie R.CUFF
MCI Mail 375-4854
CompuServe 71207,1604
Prodigy NCHT70A

Winter SWL Festival

I hope many of you are planning to attend the Sixth Annual Winter SWL Festival this month. I'm looking forward to meeting many of you, as I'll be leading a forum on Easy Listening. If you're planning on attending, I could use your help: What material should I cover in the forum? You're the best judge of that - you read this column. If you have any suggestions, please drop me a note, postcard, or E-mail within the next week or so. Your help would be greatly appreciated.

Radio Australia

If you were to name the 24-hour English language services on shortwave, you'd probably easily remember the BBC World Service and Radio Moscow. You might forget that Radio Australia is also a 24-hour service. Like most international broadcasters, Radio Australia repeats many of its feature programs several times per day or week, so its "prime time" listeners in various parts of the world all have an opportunity to hear the programs.

All the news magazine-style programs air at 0930 UTC in a broadcast easily heard in most of North America on 9580 kHz. Unfortunately, most of us are asleep at the time. This isn't a problem, of course, if you have a cassette recorder and timer. Programs normally include Communicator, Innovations, One World, Lane's Company, Parliament Program, Science File, and Business Weekly. Several of these programs are currently on summer hiatus, and have been replaced by various documentaries and commentary programs excerpted from other Australian Broadcasting Corporation (ABC, Australia's domestic service) programming. I've specifically heard these substitute programs on Tuesdays and Wednesdays, in the time slots normally occupied by **One World** and **Communicator**. The substitute programs I've heard emphasize the Asia/Pacific region, which is Radio Australia's region of emphasis.

If your preference is music features, then the 1030 time slot is worth a listen, with *At Your Request*, *World of Country Music*, *Jazz Notes*, *Blacktracker*, *Australian Country Style*, *Fine Music Australia*, and *Music Deli* currently listed.

BBC World Service Highlights

Finally! My subscription to *BBC Worldwide* now appears to be back on schedule, so I can now bring you the upcoming highlights. South Asia will be featured on many news, magazine, and arts features.

I'm experimenting this month with a new way to organize the highlights. I'll sort them chronologically by first North American 'prime time' airing, which I'll consider as 2300-0600 UTC. Other airings will be listed at the end of each item as appropriate. Exceptions will be those programs airing live, such as phone-ins, and other programs of special interest. If you'd prefer an alternate presentation method, let me know.

News and Features

Mondays throughout February, 0101 - You may remember reading about **What's News?** last May. This is the World Service news program targeted to teenagers and hosted by Sarah Ward of **Multitrack 3**. As before, story suggestions are encouraged. Write to **What's News**, Room 440 SE, BBC World Service, Bush House, Strand, London WC2B 4PH, United Kingdom. First airing Saturdays at 1901, also Mondays 1515.

Fridays throughout February, 1215 - **Taking Issue Around the World** is an international current affairs program that began in January. Christopher Cook presents the program from Auckland, New Zealand; Hong Kong; Bangalore, India; and, on the 26th, Karachi, Pakistan. The program centers on issues in the subject country. Repeated Fridays 1215 and 1930.

Local Sun-
nibes.

Sundays throughout February, 1401 - **It's Your World** has four phone-in programs with leaders of South Asia. February 7th, Prime Minister P. V. Narasimha Rao of India; February 14th, Prime Minister Nawaz Sharif of Pakistan; February 21st, Prime Minister Begum Khaleda Zia of Bangladesh; February 28th, Prime Minister Girija Prasad Koirala of Nepal. Phone your questions to 011-44-71-379-7444 from 1200 on on the day of broadcast; the BBC will call you back at their expense if they'd like you to ask your question on the air. You can also send written questions to **It's Your World**, BBC World Service, Room 637 SE, at the Bush House address.

Mondays beginning February 8th, 0115 - **After Independence** is a four-part program looking at the development of Pakistan, India, and Bangladesh - the three nations that have emerged out of colonial India. *Division and Identity* on February 8th looks at the development of nationhood; *Friends Not Masters* looks at armies and bureaucracies; *The Huddled Masses* examines poverty and development; *Nations and Neighbors* looks ahead to the 21st century.

Sunday, February 21, 0230 - **Gods, Guides and Gurus** is a new fivepart series beginning this day tracing the development and role of some of the religions of South Asia. These religions influence political life and personal life, at the national level and local level. This looks to be an interesting series given some of the religious violence seen of late in India. Repeated Sundays 1615 and the following Mondays 0730.

Tuesday through Saturday, February 23 through 27, 0105 - **Outlook**, one of the most popular programs on the World Service, spends a day in each of five South Asian cities. Tuesday, Outlook discusses the aftermath of the Afghanistan civil war as it has effected Peshawar, Pakistan. Wednesday, the effects of rapid urbanization on Bombay are considered. Thursday, the city of Veranasi, the holy city of Benares is featured. Friday, it's Trivandrum, the capital of the Communist-run state of Kerala. The program closes out Saturday in Dhaka (formally Dacca), Bangladesh. Outlook also airs Mondays-Fridays at 1405 and 1905.

Mondays beginning March 1st, 0030 - **The Palms of Glass** is a series of six Lenten programs from King's College, Cambridge. The Dean, Dr. George Pattison, considers the story of Jesus' arrest, trial, and death as illustrated by medieval craftsmen in the chapel's stained glass windows. Lenten music by the choir of King's College is featured. Also airing Sundays at 1030 and 1715.

Mondays, beginning February 22nd, 0415 - **The Brain** investigates how recent scientific advances have enhanced our unraveling the mysteries of intelligence, memory, perception, and the senses. Some insight as to what might cause mental illness and disability is also included. Hosted by Chris Westcott.

Saturday, March 6th, 0130 - **Seeing Stars** is the monthly World Service program looking at the astronomical highlights of the month ahead. I haven't normally included this entry since it airs before the Journal's arrival each month. I thought I'd try to get a leap on the upcoming month for a change! Heather Couper and Nigel Henbest normally host. Repeated Sunday March 7th at 0430, 0915, and 2215.

Music

Tuesdays throughout February, 2315 - **International Recital** is a new classical music program featuring musicians from around the world. The Gaudier Ensemble, Lydia Artymiw, the Parisii String Quartet, Hideko Udagawa, and John Lenehan are featured with works of Mozart, Beethoven, Mendelssohn, Ravel, Haydn, Brahms, and others. The recitals are broadcast live on Sundays 1515, and are also repeated Tuesdays 0815.

Sunday, February 14, 0230 - **Out of Tune** is a documentary on musicians whose careers were abruptly cut short by debilitating injuries or illnesses. Cathy Wearing also talks to those who have helped some of these unlucky musicians to return to performing. Repeated the same day at 1615, and Monday 0730.

Fridays, beginning February 19th, 0030 - **Eastern Sounds** interviews musicians, music writers and broadcasters of South Asia. Ali

Akbar Khan, the renowned player of the stringed sarod, is featured on the 19th; Kishore Amonkar of Bombay, on the 26th, introduces the *khayal*, a traditional style of love song. First airing Tuesdays 1030; also repeated Fridays 1715.

Drama/Arts/Literature

Sundays throughout February, 0101 - **Play of the Week** contributes to the South Asian emphasis with four plays from South Asia. *Sakuntala*, on February 7th, and *Hayavadana*, on February 14th, were both originally written in Sanskrit. All that is known of Kalidasa, the author of *Sakuntala*, is that he was alive around 4 A.D. and his works suggest he was a priest of the god Siva. *Mother of 1084*, on February 21st, by the celebrated Indian novelist Mahasweta Devi, brings a sense of history to Devi's exposure of injustice and exploitation in the Naxalite rebellion. Tom Stoppard's award-winning play *In The Native State* airs February 28th.

Wednesdays beginning February 17th, 0130 - **From a Bruised Shore** is a new four-part series on contemporary poetry written by Northern Ireland poets. The juxtaposition of seemingly perpetual violence amidst the gentleness and beauty of the land provide for interesting listening. Repeated 0930 and 1715.

Comedy/Light Entertainment

Tuesdays, beginning February 23rd, 0030 - **Quote, Unquote** is the new quiz entry for February. Sir Peter Ustinov and Ken Bruce, among others, identify the authors of famous and infamous sayings. Family mottos, bizarre eavesdroppings, and literary lapses are part of the package. First airing Mondays, 1715; also repeated Wednesdays, 0830.

Thursday, February 25th 0030 - **Two Cheers for February** is a review of the month's news headlines. Those events that provided the most humor, or should probably be laughed at, are satirically considered. Common belief is that humor doesn't travel well on shortwave - tune in, and judge for yourself! First airing Wednesday February 24th at 1530; repeated Thursday at 1030.

Until Next Month (or the 'Fest)

That's all for February. Once again, I hope to see many of you at the 'Fest; until then, or, if not then, until March -

73 DE Richard

Hardware Bits

by Alan Johnson

TUBE SUBSTITUTION MANUAL - The "Tube Substitution Handbook" is a new edition of an old standby. Compiled by William Smith WB9TUI and Barry Buchanan, it is published by Prompt Publications, which is a division of Howard W. Sams Co. The ISBN is 0-7906-1036-1 and the price is \$16.95. The book lists all known receiving and picture tubes, along with direct substitutions. There is also a section giving tube basing diagrams. Contact Howard W. Sams & Co., 2647 Waterfront Parkway East Drive, Indianapolis, IN 46214-2041 or call 1-800-428-7267 and ask for operator MP2.

HUMAN POWER - Sagant USA is importing the HPS-55 and HPS-55X hand crank generators which are said to be capable of supplying up to 15 watts of power. These may be useful for battery charging on DXpeditions. Contact Sagant USA, P.O. Box 14000, Pinedale, CA 93650; telephone 209-261-1400.

AUDIO DISTRIBUTION AMPLIFIERS - Falcon Communications has introduced the F251A and F252A audio distribution amplifiers which allow selection of one of seven low impedance audio inputs and routing it to one of four different speakers. The units include an adjustable 6 dB amplifier and require a 13.8V DC power supply. The F252A is a two channel unit. No price listed. Falcon Communications can be reached at P.O. Box 8979, Newport Beach, CA 92658; telephone (714) 760-0340.

Latin Destinations

Don Moore

11434 140th St.
Davenport, IA 52804-9538



Hola amigos! Lately, while DXing I have often found myself drawn to 2390 kHz. Guatemalan La Voz de Atitlan has been putting in a signal here most nights, at times good enough to rival stations on 60 meters. Their programming is happy and festive; several nights I've listened up to 45 minutes. Of course many Latin stations have festive programming, but La Voz de Atitlan's is different because behind it is the rebirth of a town and a people. Not long ago there was no festivity in Santiago Atitlan.

Lake Atitlan is the heart of Guatemala's western highlands, home to several million Mayan Indians. The lake is a beautiful blue and is surrounded by lush vegetation and steep mountains, including three volcanos practically on its banks. On the north shore is Panajachel, an Indian village transformed into a tourist mecca. Travelers, mainly European, from vagabonding 'hippies' to wealthy jet-setters come here for the view, the climate, and the wonderful Indian handicrafts. Although Lake Atitlan only measures about 5x10 miles, its shores are dotted with villages of three distinct Mayan tribes. On the west, north, and east banks are Quiches and Cakchiquels, two of the largest Mayan groups, whose lands stretch across much of central and western Guatemala. The south shore is home to the tiny 27,000 member Tzutuhil group. Their main town is Santiago Atitlan.

Guatemala is an ethnically divided nation. About half the people are Mayans, and the other half Ladino, a local term for people of mixed Spanish and Indian ancestry. Ladinos live in eastern Guatemala, the southern coast, Guatemala City, and the main towns of western Guatemala. The Mayans live primarily in rural areas and small towns in western and central Guatemala. The relationship between Mayans and Ladinos is roughly analogous to that between blacks and whites in the U.S. south eighty years ago. Anything that is done to improve the lives and rights of the Mayans is seen as a threat to the dominance of the ladino power structure.

Since the early 1960s, a small scale guerilla war has been fought in Guatemala's western highlands. At first it was just a few bands of renegade Marxist army officers and college students. But in the late 1970s their numbers

were gradually enlarged as over a thousand Mayans joined them. Thousands of soldiers were sent to fight the guerillas and western Guatemala became a war zone. As some Guatemalan generals have admitted, they considered it more like occupying a foreign country than protecting part of their own. The officers and most soldiers were Ladinos and didn't trust the Indians. Just the fact that the Indians spoke their own languages, which the army couldn't understand, was seen as a threat. The situation was made worse by rightwing extremists who believed that the Catholic Church and other organizations working to help the Mayans were agents of the guerillas. Across Guatemala death squads began kidnapping and murdering Church and community leaders.

On October 21, 1980, a battalion of soldiers arrived to garrison Santiago Atitlan. Just after midnight on October 24, Gaspar Culan, the manager of La Voz de Atitlan, was abducted from his home by a group of masked men. A few days later his tortured body was found along a roadside. On November 3, the soldiers raided the station, destroying the studio equipment and files. In the next few weeks nine other townspeople working with the Catholic church in the radio station, health services, and other social agencies were similarly killed.

On January 5, 1981, Father Stanley Rother, Santiago Atitlan's 46 year old priest from Okarche, Oklahoma, wrote home to a friend, *Things have been pretty quiet here the past couple of weeks until just last Saturday night. Probably the most sought after catechist has been staying here in the rectory off and on, and almost constantly of late. He had been eating and sleeping here, and usually visiting his wife and two kids in late afternoon. He had a key to the house and was approaching Saturday night about 7:45, he was intercepted by a group of four kidnapers. Three apparently tried to grab him at the far side of the church. He got to within fifteen feet of the door and was holding on to the bannister and yelling for help ... I was listening to music but also heard the noise, and by the time I realized what was happening, grabbed a jacket and got outside, they had taken him down the front steps of the church and were putting him*

in a waiting car. In the process they had broken the bannister where the rectory porch joins the church, and I just stood there waiting to jump down to help, but knowing that I would be killed or taken along also. The car sped off with him yelling for help but no one was able to do so. Then I realized that I had just witnessed a kidnapping of someone that we had gotten to know and love and was unable to do anything about it. They had his mouth covered, but I can still hear his muffled screams for help ... He was 30 years old, left a wife and two boys, ages 3 and 1. May he rest in peace!"

This made 11 members of the church community that had been kidnapped and killed, including health workers and radio staff, leaving 8 widows and 32 children. Not long afterward guerillas attacked an army convoy in the area and in retaliation 17 townspeople were randomly picked up and killed. Father Stanley learned that he was also targeted for death and left the country a few days later. But, on April 11, he returned to minister to his parish once again. On July 27 nuns discovered his bullet-filled body in the rectory. He was the ninth priest slain in Guatemala in twelve months. The army claimed that the killings were the work of guerillas, but witnesses often recognized the kidnappers as soldiers. Besides, it was pointed out, for guerillas to be able to regularly sneak by an entire battalion of soldiers to carry out these acts, the battalion would have to be a bunch of Keystone Cops.

VISITS TO ATITLAN

As a Peace Corps Volunteer in Honduras, I traveled alone to Guatemala during my school's semester break in June, 1983. I made Panajachel my base for visiting the nearby highlands. The town had been bustling with tourists in the 1970s, but news of Central America's guerilla wars had dried up most tourism. I attempted to take the motorlaunch across the lake to Santiago Atitlan, but there was only one other tourist to join me, so the launches wouldn't run. The next day I left Panajachel for Nahuala, home of Catholic station La Voz de Nahuala. There I learned that La Voz de Atitlan had returned to the air on May 1, 1982, but was only permitted to broadcast for two hours in mid-afternoon.

In September Honduran schools took the customary week off to celebrate independence day on September 15th. I took advantage of the vacation to return to Guatemala, this time with three Peace Corps friends. We made our way to Panajachel and with a few other

tourists there were enough this time for a launch to make the trip to Santiago Atitlan. The town was quiet and the streets, buildings, and plaza looked like any other town in Central America. The people, however, were dressed in their own traditional colorful clothing. The women all wore loose white pullover blouses heavily embroidered with the same purple and red geometric pattern and long purple and black wrap-around skirts. The men wore cheap polyester sports shirts and straw cowboy hats, like most Central American peasants, but with loose calf-length white trousers with thick vertical maroon strips. This is the traditional costume of the Tzutuhil people and it distinguishes them from other Mayans.

Asking directions, I made my way to the radio station. A few blocks behind the church, it was in a two story thick stone block building. There was no sign. It was mid-morning, and no one was there and the door locked. From a neighbor I found out the the afternoon broadcast times were still in effect and that no one would arrive until well after lunch. Unfortunately, my boat to Panajachel would return before that. I contented myself with walking up the street to their short antenna tower rising from the middle of a corn field. I met my friends back in the plaza and we returned to Panajachel.

BACK TO SANTIAGO ATITLAN

In December, 1987 Theresa and I took advantage of a month's semester break during grad school for a trip through the Yucatan, Belize and Guatemala. Again we made our way to Lake Atitlan. Panajachel didn't seem like the same town. Guatemala now had a freely elected government for the first time in over 30 years and the guerillas had been pushed back in many areas. Guatemala was once again considered safe for tourists and Panajachel was full of Europeans and even some Americans. Prices had gone up considerably from a few years before when hotels and restaurants were begging for customers. Now it was difficult to find a room.

On our second day in town we went to the docks for the launch to Santiago Atitlan. Three full launches made the trip. Unlike Panajachel, Santiago didn't seem to have changed very much, but the people were taking full advantage of the influx of tourists as dozens of vendors sold local crafts to the visiting tourists at the wharf, market, and central plaza. The town was noisy, happy, bustling, and alive. Smiling children were playing in the cobblestone streets as teenagers played

basketball by the plaza, and there were people everywhere.

While Theresa went to the market, I once more walked up the street behind the church to La Voz de Atitlan. The station now had a sign; a small piece of scrap board with the station name roughly painted on it had been nailed to the wall over a window. This time the door was open, so I walked in and introduced myself to the manager, Juan Ajtzip and several announcers who were talking inside. Although they were cordial to me, they were very uncomfortable with my presence. They only talked when I asked questions, but allowed me to take a few pictures of the studio, and Sr. Ajtzip looked over the reception reports I had brought for a few friends and dutifully signed and stamped the prepared QSL cards accompanying them. They seemed anxious for me to leave, so I only stayed a few minutes.

I found Theresa in the market and after taking a few pictures, we went to sit in the plaza. Bill, a Canadian travel writer we had met on the launch, joined us. The three of us decided to walk down to a little restaurant near the dock for some lunch. Finishing our meal, we glanced out the window and saw all three launches well into the lake on their way back to Panajachel. It was fifteen minutes before they were scheduled to depart! Shocked, we paid our bill and walked down to the dock where we were told that the launches thought they had everyone who was returning and had decided to leave early. I couldn't believe it. Nothing in rural Latin America happens on time, let alone early!

There was no other way out of town. Bill had planned to stay the night and offered to show us to a little pension where he had found a basic room for a dollar. Walking back up the main street towards the plaza we noticed the gaiety of the morning had totally disappeared. The town now seemed tight as a drum. There was tension in everyone's face; not even the children were smiling. Suddenly we heard some loud shouting from behind us and turned to see a patrol of fully armed soldiers running our way. We followed the example of a few townsmen and pressed ourselves against the wall of a house along the street as the soldiers passed. Nearing the plaza, another patrol charged by us from a different direction. Soldiers were now posted in several positions around town. The teenagers had been kicked off the basketball court, where some off-duty soldiers were now playing. We crossed the plaza and walked a block to the pension and got a room.

Bill took off to do some exploring and after

a short rest we left for a walk along the main street away from the plaza towards the other side of town, following some native men carrying huge loads of firewood on their backs. About a quarter mile outside town, we left the road and walked down to the lake shore where some women were washing clothes. Beyond us the town rose on a small hill about 150 yards in from the lake. Between the lake and the town was a marshy low area of gardens and reed beds. Continuing into the marsh, we had to wind around and sometimes backtrack, but there was always a mounded dirt path between the cabbages or among the reeds. Occasionally we would come upon a peasant working his garden and he would tip his hat and greet us. Among the vegetables it wasn't as tense as in town. After walking almost two hours, we neared the docks on the other side of town. We cut up towards town in an alleyway between some houses. From one house we could hear a woman crying hysterically, repeating over and over "They took him away," while another woman tried to comfort her. We continued on to the plaza and found a small store to buy a can of tuna, hard rolls, and soft drinks to have for supper in our room. It would get dark about 5:30 and this was one town where we didn't want to be out in the streets after dark.

Back at the patio of our rooming house we met Bill. Walking along the lake on the far side of the docks, he had met a patrol of soldiers who strip-searched him and interrogated him for twenty minutes. Then, when things started to get really ugly, he told the sergeant, "Look, I'm a travel writer. If you don't want tourists to come here, I can write that in my articles." That simple comment changed everything. The sergeant knew the last thing the Guatemalan government wanted was another drought in the tourist industry like in the early 1980s. If he caused that to happen, he would be in big trouble. The sergeant apologized, helped our friend up, gave him back his papers and notebooks, and escorted him back to town. I wondered why we hadn't met the same experience. We had passed several patrols at both ends of our walk. Probably it was just that Bill had a beard, longish hair and wore jeans. With me balding and in a pair of corduroys and Theresa in a skirt, we probably looked more mainstream.

Luckily I had stuck my ICF-7600D in the camera case that morning. We passed the evening talking, listening to AFRTS and RCI, and eating our tuna and rolls and some fruit Bill had brought. The next morning the roosters woke us around dawn and Theresa and I walked down to the lake. The view was

magical. In the chilly morning air, thick fog was rising from the water and just a few yards from shore we could see the shadowy outlines of fishermen standing in their one-man dugout canoes, slowly poling themselves through the water. Three boys, ages 6,7, and 8, joined us and began asking all the usual questions about that distant land of "Los Estados Unidos." Suddenly a helicopter passed overhead and the boys froze in terror. "What's wrong with the helicopter?" we asked. "They bring more soldiers," stammered one of the boys. Although the town still seemed tense, the tension gradually disappeared as 10:00 and the arrival of the tourist launches approached. When the boats arrived, the soldiers disappeared and it was like a festival once more. Perhaps not so much for us, however. We had seen the other side of Santiago Atitlan. This time we were down at the docks an hour before departure.

Back home in Ohio about a month later, Theresa and I were stunned to hear a report from Santiago Atitlan on NPR's *Morning Edition*. About the end of November someone had anonymously begun circulating a death list of about 100 citizens through the town. In December, fourteen people were kidnapped, tortured, and murdered. Immediately we both remembered the woman crying "They took him away." Who had taken whom away, we wondered. Had we heard the aftermath of a kidnapping? I thought back to the unease at which I had been received at La Voz de Atitlan. I now realized that the unexplained visit of a foreigner might draw unwanted attention to the station. Could Señor Ajtzip or one of his colleagues have been among the dead as a result of my visit? I could only pray not.

On New Year's Eve, 1989, La Voz de Atitlan was heard by myself and a number of other DXers staying on past midnight, local time. After that they began making occasional early evening broadcasts. DXers heard them and wrote. QSL reports in DX bulletins of La Voz de Atitlan mentioned Juan Ajtzip as the veri-signer. I was relieved; surely if the manager hadn't been killed, the less important announcers would have been spared, too.

THE REBIRTH

The evening of December 1, 1990 started like all too many others in Santiago Atitlan. A group of armed soldiers dressed in civilian clothes went drinking in a downtown cantina. Once they were drunk the officer among them led the group to the house of a shopkeeper and they began pounding on the door, trying to

knock it down. Inside, the man's terrified family began screaming. At this moment, in one of those unexplainable events of history, something changed in Santiago Atitlan. Hearing the screams, the man's neighbors poured out into the streets, scaring the small band of soldiers away. Other neighbors ran to the plaza and began ringing the church bell. Hearing the bells, almost the entire town left their homes and gathered in the plaza. For a few hours everyone discussed what had happened to their town and what they should do. Perhaps they were just gathering their courage for what they were about to do. At 4 a.m. the battalion was confronted by 2,500 shouting people marching up the road towards their encampment outside town. The crowd stopped outside the barb wire fence and a few chosen leaders demanded that the army let them live in peace. A couple of unruly crowd members threw some rocks. The army opened fire. Eleven were killed, including three children, and seventeen wounded. The crowd retreated back to town and the battalion stayed in their base.

The next day government officials hurried out from the capital. Upon arrival they were presented with petitions signed by over 20,000 names - almost the entire population of Santiago Atitlan and the nearby rural areas - demanding the withdrawal of the army from their town. The event drew international attention and the Guatemalan government had little choice if it didn't want to damage its tourism industry again. The army was withdrawn from the Santiago Atitlan area.

Now the streets of Santiago Atitlan are patrolled by villagers armed with sticks and whistles. Crime of all types has all but disappeared and not a shot has been fired in the town since the army left. The townspeople make it clear that neither the army nor the guerillas are welcome; they only want to live in peace. When a platoon of soldiers tried to reoccupy the town they were quietly turned away by several hundred citizens. As to La Voz de Atitlan, it's back to its old schedule of more than twelve years ago, signing on at 1100 or 1200 in the morning and staying on well into the evening. And every broadcast sounds joyous. I know it will be a long time before I tire of listening to this station.

Hasta luego!

Don Moore

REFERENCES

Review of International Broadcasting 3/81.
The New York Times: 7/29/81; 8/15/81;
2/17/88; 12/3/90; 12/12/91.

THE EYRING LOW PROFILE ANTENNA

The ELPA antenna can be the answer for the SWL desiring a broadband, directional antenna that is also unobtrusive. The design can be considered a bi-directional Beverage at low elevation angles and a low dipole at high elevation angles. The design exhibits 8dB of directivity at 15 MHz and 5 dB at 3 MHz. Notice I did not say "gain". Actually the gain is 15 to 19 dB below a dipole in free space but, as we learned in previous editions of this column, for receive applications gain is not as important as signal to noise ratio. This antenna achieves a high signal to noise ratio through directivity which reduces both natural and man-made noise coming from unfavored directions.

The ELPA resembles a letter "H" laying on its back as shown in Figure 1. The favored direction is along the direction of the wires and straight up. Remember that the really weird propagation modes can cause signals to arrive from half way around the world from elevation angles near 90 degrees. The directive pattern at 3 MHz is shown in Figure 2. Note the wide vertical radiation pattern and the nulls at low angles broadside to the line of the wires.

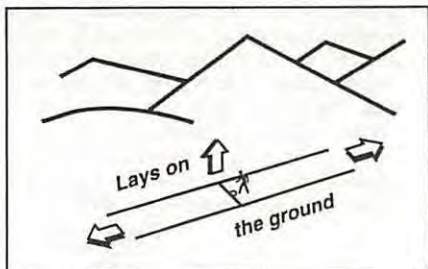


Figure 1. The ELPA antenna resembles the letter "H" laying on the ground.

The technology employed by the ELPA antenna was originally developed by the Eyring Communications Division of Eyring, Inc. as an underground antenna that could survive nuclear blasts. During Operation Desert Storm the ELPA was the antenna of choice for long-range surveillance detachments positioned behind enemy lines inside Iraq. Although the tactical version of this antenna was not designed to be buried, the dry desert sand allowed the antenna to be buried several inches below the surface without significantly degrading its performance. Normally the antenna is deployed on the ground.

A 7dB improvement in gain at 15MHz is obtained by elevating the center of the array about 2 feet above ground as shown in Figure 3. The end 1/3 of each element is still laid on the ground for this configuration. Also shown in Figure 3 is a broad-band version of the design using V-shaped elements.

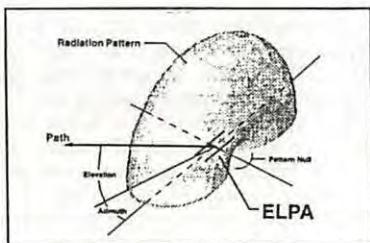
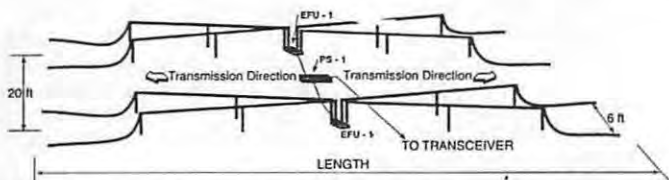


Figure 2. The ELPA directive pattern resembles a half-donut discriminating against noise and interference from the broadside direction.



Optimum deployment of a single ELPA 3/65 for broad band applications utilizing 2 foot high elevated "V" elements are best in broad band applications but are not required.
When elevating elements the last 1/3 of the element must laid on the ground.

Figure 3. Elevating the center of the antenna improves high frequency performance.

The length of the antenna will determine the lowest operating frequency. Figure 4 shows the element length needed to achieve specific lowest frequencies.

Lowest Frequency Mhz	Length Feet
14	50-100
7	100-150
3.5	150-200
1.8	300-400

Figure 4. Antenna length vs. lowest frequency

The EFU is an "Element Feed Unit" and the PS is a "Power Splitter". Exactly what is inside each of these units is unknown to the writer. Most likely these units are ferrite core transformers. The units are available from the antenna manufacturer.

ELPAs can be stacked horizontally for enhanced gain and narrower directional patterns. A stacked configuration is shown in Figure 5. The cost of such an antenna would be more than double the cost of a single lazy "H" configuration and it is doubtful that the added cost would be justified in SWL applications.

The single ELPA antenna designed for a lowest frequency of 1.8 MHz exhibits the following performance characteristics:

Pattern: Bi-directional below 60 deg. elevation.

Omni-directional above 60 deg. elevation.

Polarization: Vertical (<60 deg. el.)
Horizontal (>60 deg. el.)

Azimuth Beamwidth: 100 deg. @ 2 MHz
40 deg. @ 30 MHz

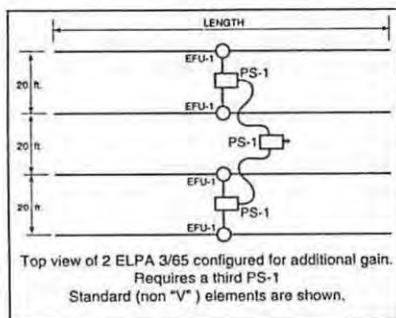


Figure 5. Stacking additional ELPA antennas next to one another can improve performance but at a price.

Power Gain: (Ground Deployment)
-13 dBi @ 15 MHz, 20 deg. el.
-12 dBi @ 3 MHz, 20 deg.el.
-17 dBi @ 3 MHz, 90 deg.el.

(2FT Elevated Deployment)
-6 dBi @ 15 MHz, 20 deg.el.
-12 dBi @ 3 MHz, 20 deg.el.
-17 dBi @ 3 MHz, 90 deg.el.

Note: dBi = dB referenced to an isotropic antenna. An isotropic antenna is a theoretical antenna which radiates equally well in all directions. A half-wave dipole in free space has a gain of +2.15 dBi in a direction broadside to the dipole wire.

Impedance: 50 Ohms (VSWR <2.1)

Commercial rights to market the design have been licensed to IVIE TECHNOLOGIES,

INC., 1366 West Center Street, Orem, Utah 84075. Phone: (801) 224-1800. They will sell you a manual for \$15 which includes the theory of operation and credit you for that amount if you decide to purchase. A complete single "H" configuration antenna (less wire) costs \$199 plus shipping costs.

And now for something completely different, the obligatory disclaimers. The author has not tried this antenna. Data presented herein is from the manufacturer's data sheet. Neither NASWA nor I can vouch for the veracity of the claims made for this antenna. Neither NASWA nor I have any pecuniary interest in the presentation of this material which is presented only as a service to our members. (The manufacturer doesn't even know I'm writing this article.) In the words of Julius Caesar's purchasing manager, "Caveat Emptor". Until next time, stay tuned.

Hardware Bits

by Alan Johnson

WATKINS-JOHNSON RECEIVER - Watkins-Johnson Co. is advertising their WJ-8711 HF receiver as "low cost" in the February '93 issue of QST magazine. I'm not sure what low cost means to the company, as they are best known for providing high-performance receivers to the military and intelligence community, with a usual price tag of \$5000. I didn't have enough time before deadline to call for more information, but I will. Mike Cox, K3GEG is listed as the contact person at 301-948-7550, ext. 7334. Watkins-Johnson Co., 700 Quince Orchard Rd., Gaithersburg MD 20878-1794.

AZIMUTH 24 HOUR CLOCK - The Azimuth Grand 24 hour clock (Model GC-24) features 1 3/4 inch high digits on a see-through LCD panel. Overall dimensions are 3 1/8" wide by 2 1/4" high. Only one time zone is displayed. Price is \$29.95 plus \$2.95 shipping and handling. Azimuth, 3612 Alta Vista Ave., Santa Rosa, CA 95409; 707-577-8007.

YAESU FRG-100 RECEIVER - I have seen a few reports on computer BBS's that the new SW receiver from Yaesu is being stocked in some stores with a price of \$519.95. No outlets in the D.C. area have the receiver yet, but expect it sometime in February. This is the radio that was selected as the Best Communications Receiver 1992 by the World Radio-TV Handbook. (My vote would have been the Lowe HF-150, but I haven't seen the FRG-100 yet.)

SAGANT HUMAN POWER STATION - I keep seeing ads for a small hand crank generator from the Sagant Co., so I got some literature from the U.S. distributor. The HPS-55 supplies 0.5-1.0 amp at 12 volts with a crank rate of three revolutions per second. A complete set of generator, 12V 1200 mA AH battery pack, folding 9V 0.75A solar cell, spotlight and connecting cables goes for \$589.95 - without solar cell or spotlight it's a low \$352.95! There is also a slightly less expensive HPS-55X model, but I didn't receive any specs for it. SAGANT U.S.A., P.O. Box 14000, Pinedale, CA 93650-4000; 209-261-1400.

Equipment Review

Alan Johnson N4LUS
6001 Goldsboro Road
Bethesda, MD 20817
CompuServe 76665,1756
Genie A.JOHNSON64

THE WD8DAS SYNCHRONOUS DETECTOR KIT

More and more, manufacturers and listeners alike are becoming convinced of the benefits of synchronous detection for the reception of AM mode signals. The basic theory of synchronous detection is that an "artificial" carrier frequency is generated within the receiver which is an exact match to the carrier frequency of the desired station. This effect can be approximated by tuning an AM signal using the SSB product detector of the radio (this has been referred to in the past as ECSS - Exalted Carrier Selectable Sideband reception). Tuning is critical in this latter method, as the BFO frequency must exactly match the carrier frequency of the incoming signal or else an audible beat note or wavering of the signal is produced. This is especially true in modern synthesized rigs where the radio tunes in discrete 50 or 10 Hz steps. In a synchronous detector, the locally generated carrier is automatically and exactly phase-locked to the frequency of the incoming signal, eliminating the critical tuning requirements.

How Does It Help?

There are several advantages to using a synchronous detector instead of the usual envelope detector. The greatest advantage is a reduction of the distortion that results when the signal undergoes selective fading on its trip through the ionosphere. Selective fading refers to unequal variations in amplitude between the carrier and the information containing sidebands. Another major advantage of some synchronous detectors (depending on the exact design) is the ability to select either the upper or lower sideband to listen to. The standard envelope detector demodulates both sidebands. An example of this benefit is: You want to listen

to a station on 9560 kHz. There is a strong signal on 9565 kHz and no station on 9555 kHz. By detecting just the lower sideband of the 9560 signal, you can minimize the interference from the station on 9565 kHz.

Where Do I Get One?

More and more receiver manufacturers are incorporating synchronous detectors into their radios. The Drake R-7 and JRC NRD-525 used a variation on synchronous detection referred to as "synchrophase" detection. The Sony ICF-2010 pioneered the use of a true synchronous detector in a consumer radio. Drake, Japan Radio and Lowe quickly followed Sony's lead. In my experience, the Sony, JRC and Lowe HF-150 detectors have offered the highest degree of sideband separation. Note that the sync detector offered as an option with the Lowe HF-225 does not offer selectable sidebands.

For those who wanted the advantages of synchronous detection without buying a new radio, a couple of firms offered outboard accessories, most notably the Kiwa Electronics MAP unit and the Sherwood Engineering SE-3. These products offered excellent performance, but at a cost of up to \$400 for the SE-3. Now, Steve Johnston, WD8DAS, offers a compact sync detector based on the Sony CX-857 chip. The detector is built on a 3" x 4" printed circuit board and is designed to work with receivers with intermediate frequencies of 400 - 500 kHz. The price is \$139 for a complete kit, \$199 assembled.

I recently purchased and assembled the kit version of this product. The circuit board is etched on a single side and does not have

holes drilled through the board. I thought that this would present a problem in assembly, since there was no way to hold a component in place while applying solder with one hand and holding the soldering iron in the other. I'm happy to report that it was not the problem that it first appeared to be. By pre-tinning the circuit board pads, I could hold the component with tweezers and heat the pad with the iron. Assembly was quick and straight forward. Alignment requires only adjusting one inductor to match the intermediate frequency of the receiver that the detector is attached to. The potentially tough part of installing the sync detector is hooking it up to the receiver. Some receivers (primarily military surplus gear) have an IF output on the back panel. With other receivers you will need to trace the circuitry with the aid of a schematic diagram and tap the IF signal between the last IF stage and the diode detector. Once this point is identified, miniature coaxial cable can be used to route the signal to the sync detector. The output of the sync detector (either the upper or lower audio sideband - which can be switch selected) has to be routed back to the receiver's audio stages or to an external audio amp. I used a single chip IC audio amp and built it into the same enclosure that I used for the sync detector.

How Does It Work?

The circuit has a low parts count. There is a FET buffer stage at the input to isolate the sync detector from the receiver's circuitry - due to the inherent high input impedance of the FET stage (one megohm) there is little loading of the receiver's circuitry. The signal is then routed to the detector chip and then to the sideband-selecting phase shift network. There is an LED which indicates when the detector has "locked on". The user must supply a SPDT switch to select between the USB and LSB audio outputs and a source of well-filtered DC voltage in the range of 4-14 volts. The rated current drain at 12 volts is 20

milliamps. The stated range of usable IF frequencies is 400-500 kHz (my unit would lock on between 355-680 kHz). This means the unit can be used not only with receivers with the common 455 kHz IF, but also with the surplus receivers with 500 kHz IF's (like the R-388). The minimal input level is 100 millivolts and maximum is 1 volt.

How Well Does It Work?

My detector worked the first time I turned it on (the audio amp didn't, but that's a different story!) and was easily tuned to the IF frequency of the test receiver - a Japan Radio NRD-515. The "lock" LED stayed lit almost all the time as the receiver was tuned between stations, unless the RF gain control was turned way down. The sync detector would yield undistorted output even with the receiver tuned +/- 2 kHz away from a station's carrier frequency, which allows off-tuning to avoid interference. The selectable sideband feature also helped to fight adjacent channel interference (as long as there was an interfering station on only one side of the desired signal). The degree of sideband isolation is not as great as that of the Lowe HF-150 or the JRC NRD-535, however. Subjectively, the distortion in the audio response from the sync detector did seem lower than that of the receiver's standard envelope detector, especially on fading signals.

This was a fun project both in construction and in use. For those who don't mind tracing schematics and poking around inside their receivers, I recommend the WD8DAS sync detector, although I would add that it does not perform as well as some of the commercially available units - either add-on or incorporated into receivers. But then again, it's a lot cheaper. If you would like more information, send \$3 for a two page brochure to: Steve Johnston, P.O. Box 3420, York, PA 17402-0420.

For Sale - Kenwood R5000 Receiver w/YK-88-A1 6 kHz AM filter; YK-88C 500 hz CW filter, IF232C/IC10 Computer Interface; Control Software; Owners Manual -- \$800 plus shipping. Universal M1000 RTTY/FAX Decoder card for PC Compatibles. Complete w/software (3.5 and 5.25" disks); documentation; back issues of The RTTY Listener -- \$300 plus shipping. Contact Mike Wolfson 419-289-7461 after 4:30 PM EST weekdays or all day weekends.

For Sale - AOR AR1000XLT, Sony ICFSW77. Portable scanner and SW Receiver w/all accessories/manuals. 6 months old/excellent condition. Special price for both units or \$360 ea.. Contact: Sheldon Bernick 215-356-1454 (day) or 215-353-7270 (night)

Listener's Library

T. J. "Skip" Arey WB2GHA
P.O. Box 644
Waterford Works, NJ 08089
Genie T. AREY1

Orson Welles once said that "Movie making is the greatest electric train set a boy could have." Dear old Orson left this veil of tears just as home computing was taking off. PCs can take you anywhere your intellect and imagination want to go. Computers can be found in more and more shortwave listening posts, performing all manner of tasks both mundane and miraculous. It was only a matter of time till some of the more inventive folks in the hobby tried to link their computers to their receivers. Several general coverage receivers are now produced with a port on the back to facilitate these connections.

However, as with many high-tech adventures, the learning curve can be fairly steep. All folks had to go on was word of mouth, a few articles and advertisements in the hobby press. That is until now! Two fine books appeared in my mailbox recently that should help anyone with the urge to merge their shortwave and computer passions.

COMPUTERIZED RADIO MONITORING by Todd D. Dokey

Edition 1.0
140 pages
\$22.95 + \$2.00 shipping
Tiare Publications
P.O. Box 493
Lake Geneva, WI 53147
ISBN: 0-936653-44-2

After a brief introduction to the reasons why computerizing your shack is the way to go, Todd looks at the current crop of receivers designed to connect with your home computer. Of greatest use is his control by control analysis of which radio features can be managed by way of your computer keyboard. If you are in the market for a new receiver this information is essential because all computer controlled radios are NOT created equal.

Hooking up a modern receiver to your home computer can be as simple as buying a cable. Getting this equipment to work together is a whole different kettle of fish. Software is the key to successful symbiosis. Todd examines 18 different software packages that allow for control and management functions. These packages vary in sophistication. Not everybody needs every

bell and whistle that comes down the line so careful study of this section is the key to computer/radio bliss.

Many shortwave hobbyists venture into those gaps between the broadcast bands for additional radio fun. Monitoring all those chirps, beeps and burps that make up the various non-voice modes that are featured on modern receivers require some additional hardware. This book covers all of the decoders and terminal units currently available to the hobbyist. This is also likely to be the chapter that will become obsolete over time because new systems are being developed and marketed almost monthly. The related section on telemetry is interesting from the stand point of understanding how professional radio people use the frequency spectrum to get their work done.

The book also covers tape recorders and their use in the radio hobby. This section got me really excited because it touched on an operational idea that I had only read about in Tom Clancy novels. (Yeah it's true I tried to use my good looks to get into the NSA HQ but the less said about that the better). Todd gives coverage to the TEAC CR-310 and CR-320 recording systems. These recorders use VHS video tape to allow monitoring of up to 20 tracks including time and date stamping. Essentially you could have up to twenty receivers on line (controlled by your PC of course) set to monitor all over the bands throughout the day. Each video tape lasts 24 hours in this application. Think of it! You could build your own BBC MONITORING SERVICE!!! Mark this section for the day you hit the lottery and can retire to some interference free island.

Todd includes an excellent section on the practical aspects of setting up a computer assisted listening post. Old timers who are used to blowing the dust off their tubes will have to learn a few new tricks. Computers expect to operate in a clean environment free from dust, smoke and liquids. Todd's strategies in this area are well worth considering if you are getting ready to remodel your shack. In this section Todd touches on an intriguing area of interest. Remote control of your listening post. His thinking goes well beyond just having the receiver and the computer in different rooms. He gets into the idea of using

statistical multiplexors to control up to 32 radios at a remote location. Set this up with a couple of those Teac tape decks and you won't even need to be on the island you bought with your lottery winnings! There is also a section on dealing with noise problems, a common fear when mixing radios and digital equipment.

One of the things that hooking a computer up to your receiver gives you is data. Gobs and gobs of radio data. Getting all this information in to a form that will make you a productive member of the DXing community is going to take a bit of thought. Todd gives the reader a good short course in data management and manipulation. Included is a section on computer assisted monitoring strategies that will give you the skills to make most efficient use of all these new toys.

THE BOTTOM LINE - All this hardware costs hard earned dollars. What is hot today is obsolete next week. I recall one prominent member of the radio community who could not give away a decoder he had bought just a year before. **COMPUTERIZED RADIO MONITORING** will give the reader enough information to generate significant savings in planning and purchasing well beyond its \$22.95 cover price. If you want your shack to reflect the leading edge of technology, this book is for you.

PEEVES - The press release for this book warns that "the book assumes the reader has some knowledge of computers." Okay that's fair enough, but the book would benefit from a few additional pages that might lead the readers to resources that would help them train up on basic home computing. The glossary of terms is somewhat helpful but give us more in Edition 1.1.

Speaking of which. It seems inevitable, but book publishers have taken to labeling editions as if they were computer programs, hence Edition 1.0. I would warn the book moguls against this. There is an adage in the computer world, "Never buy any version of software that ends in .0, always wait for at least a version that ends in .1". Treating your editions like software may be trendy but might negatively affect sales.

Computers are also useful when not hooked up to your receiver. Computers can be used for analysis and forecasting. Most financial professionals would give up their first born before they would let go of their access to Excel or Lotus 123. This analysis function has not gone unnoticed in the radio hobby world. Programs for propagation forecasting have been around since the early days of personal computing. Who can forget JON COHEN's stirring description of MINIMUF 3.5 at the

1983 ANARC Convention? Since that time propagation software has become a major cottage industry. With so many choices someone had to bring order out of the weirdness.

PROPAGATION PROGRAMS A REVIEW OF CURRENT FORECASTING SOFTWARE

By Jacques D'Avignon VE3VIA
First Edition
48 Pages
\$9.95
Grove Enterprises, Inc.
P.O. Box 98
Brasstown, NC 28902
ISBN: 0-944543-06-5

Jacques has been my co-worker on the staff of Monitoring Times Magazine for quite a while. I finally got to meet him face to face at the MT Convention in Atlanta last year. Jacques is one of those folks who is dedicated to the hobby. His shtick is propagation, an area of radio theory I had always seen as more akin to Voodoo and Astrology. It was only through consistent use of Jacques propagation forecasts that I became a true believer. The man knows his stuff! So who would be better qualified to winnow through the current crop of propagation software packages out there?

Jacques' short book thoroughly examines 10 popular programs. Jacques points out that all of the current programs make use of one of two algorithms to generate their basic information and then proceed to hang their own bells and whistles on to make them unique. These additional features can include such useful items as grayline and great circle calculations.

As can be expected, each program has its pluses and minuses. Jacques takes you through each software package including illustrations of screen and printed output. The more lengthy individual analysis is supported by a series of tables that compare the software packages head to head. One particularly useful bit of information is which packages support the use of math coprocessors. I have been looking for an excuse to fill that socket in my system for months!

THE BOTTOM LINE - Since only two of these packages are commercially produced, you are not likely to save a great deal of money by reading this book. However since most of these programs are available as downloads off of computer bulletin boards, you will save yourself some time. And after all, time is money, especially at 2400 baud!

PEEVES - This book assumes you know quite

a bit about propagation. The reader should first spend an evening getting to know their MUF from their LUF by reading another resource before venturing into PROPAGATION PROGRAMS pages.

Don't forget that your own reviews of publications and software are always welcome in the Listener's Library. As I used to say when I wrote the Technical Topics column. Keep those cards and letters coming folks!

Shortwave Call Signs

by Brian Boulden*

In March 1959, Popular Electronics offered the first of the WPE registration. The "PE" coming from Popular Electronics' initials. The WPE/WDX program was not the first to have Shortwave Listeners register. Some time before 1959, Joe P. Morris started the WRO program. Finding it to be time-consuming, Popular Electronics took the program over. Publicizing in their magazine, Popular Electronics soon found they had a hot item on their hands, with several staff members working overtime. In 1970 the decision was made to drop the program. It was then that Hank Bennett and his wife Amelia took the program over.

"Our main reason for continuing WDX was to make available to all hobbyists the opportunity to have their own individual radio identification," said Mr. Bennett in an interview in the 1991 Proceedings. "Our program identification was approved by the FCC (although no one at the FCC would probably admit it) and the only complaint we've ever received was from several Canadian recipients who claimed their government was making inquiries about those illegal (?) call signs appearing on our certificate envelope to them."

The WPE/WDX was a well organized and respected program. For a small price the recipient received a certificate with their call sign, and were eligible for an awards program. Regretfully, today there are programs that do not offer the listener anything other than a call sign, and are used simply to make a quick buck for themselves.

The only drawback to the WPE program was that the call sign failed to give any identity to the listener. There was no way one could tell which part of the world the listener resided. "When a system such as this is developed it should tell others as much about the bearer of the call as possible," says Sam Barto. "Why nobody has ever employed the two-letter USPO state codes is beyond me. A DXer in Connecticut could have used a monitoring certificate with a call sign such as WCT or KCT while someone in Oregon could utilize KOR or WOR."

But does having an SWL call sign help the listener get a QSL?

According to Sheryl Paszkiewicz (holder of CRB call sign KW19EL): "My opinion is they could make a monitor appear more professional if the monitor used the sign on correspondence... I feel it might make radio stations in some countries 'think' you are a ham and therefore, possibly give you a better chance of a QSL. However, in America I don't know whether it would get more respect because most people in the hobby would know it isn't a ham call."

Jerry Berg, on the other hand, states; "As an SWBC DXer, I have never used a call in my letters to stations because it might cause confusion or raise a question of some kind at the station. I recall that some hams had questions about these 'unofficial' calls, and this may also lead to some problems in getting replies. All in all, I think the calls could be a hindrance to QSLing."

There is still interest in SWL call signs. On September 30, 1992 there was an impromptu discussion about them on GEnie in the Shortwave BB. Be sure that when you sign up for an SWL call that you sign up with an organization that is going to do more than just take your money. If they are going to just take your money, then I would just make one up.

I personally never use a call sign when QSLing. It might help with those stations that are extremely difficult. The important thing is for everyone to have fun. Whether or not it will get you a QSL is difficult to say. We have all had stations that were extremely tough to get a reply from, that others have with ease. And we have had easy stations that were hard for others. The important thing is to have fun.

* 480 Pacific Avenue
Fairfield, CA 94533-2130

NASWA Portraits

Jerry Klinck

43 Lein Road
West Seneca, NY 14224



Welcome to another Portraits column. Happiness is . . . listening to a Christmas carole at 1230 UTC this A.M. from Radio Northern. Another very good P.N.G. opening here today including "armchair" reception of the 4890 N.B.C. at Port Moresby.

This month we head east to little but lovely Rhode Island and a visit with fellow NASWA Henry Michalenska.

"Shortwave listening became a reality for me when my parents bought me a Realistic 4597 portable for Christmas in 1965. I formerly used to casually DX the medium wave bands on my brothers Zenith transistor portable early mornings, and was intrigued to hear stations from all over the east coast and Canada."

"At that time I was in the middle of the eighth grade, so school kind of kept me away from the radio a bit. I did manage to figure out the shortwave aspect of things enough to hear TWR-Bonaire, on Memorial Day, 1966. I actually sent them a reception report and eventually got my first QSL card from them. Floundering around on the dials until I got my first WRTH was futile at best; I could rarely hear anything in English except AFRTS baseball games! Once I got the 1966 WRTH I was amazed at the variety of countries available on shortwave . . . of course I couldn't hear most of them, but I knew they were out there."

"There was a list of radio clubs in the 1967 WRTH, and I thought joining one would be a good idea. I wrote to Altoona and Bill Eddings and the rest is history, all twenty five years of it. I still have every page of every issue of the bulletin back to 1967, back to the days of mimeographed, typewritten pages stuffed in a #10 envelope that always tore in the mail."

"About a year later, I started corresponding with Al Sizer in CT. The letter writing got to be a weekly cassette exchange of loggings and QSLs and hobby talk. This was my greatest impetus in the hobby, as a friendly competition developed between us . . . 'boast and brag' sessions we used to call them on tape. Another thing we used to do on occasion was to swap receivers. In the first ten years in the

hobby, I owned (get this) the Realistic, a Hammarlund HQ-180A (with a BC-221 frequency meter), a Heathkit GR-54, a Drake R-4B and a Collins R-390A. For the past 15 years, I have used a modified Yaesu FRG-7 as my main receiver, but an NRD-535 is on the way this month. (*That would have been June, hope you are enjoying!! ed.*) I always maintain a portable and presently have a Sony 2001; previously a Barlow-Wadley XCR-30. And, yes, I do still have the non-working Realistic original portable."

"Looking back over the years, I was editor of "Newsroom", which eventually evolved into "Listeners Notebook". I also put together a DX test program over Radio Cook Islands in the early '70s, for NASWA members. Most recently, I was the winner of the Voice of Turkey essay contest (see April Issue). I was also the subject of a newspaper column during the Dessert Storm Operation."

"My present NASWA country totals are 184 heard and 154 verified; I have not been extremely active the past fifteen years . . . the usual college, career and family life preclude the long hours it would have taken to be a top DXer all that time. Now I have the worst career for DXing, a practicing CPA working nights and weekends from January to April! I DX in fits and starts and do my best on vacation, when my Sony goes with me (as it will to Hawaii in two weeks)! I have developed my DX target list on Quattro Pro software, as a good organized CPA should, and would be glad to share the technique with anyone interested."

"The best thing about the hobby is the number of people I have met over the years. (Of course I would have met a lot more if the Winterfest weren't in tax season!!) DXing is much more fun when you can team up with someone! I would really like to do a DXpedition here in New England, if anyone is interested. Finally, a great big thanks to all the staff who put the Journal together each month. I disappear the day it comes in the mail. Turning forty this (past) fall, I have a lot more DXing to do and a lot more DXers to meet in the upcoming years."

Thanks for the great profile, Henry, and a Happy New Year to all!!

NASWA Awards

Dr. Harold Cones
2 Whits Court
Newport News, VA 23606
Compuserve 71570,411



Howdy and welcome to another awards column. By the time this reaches you, the Sixth Annual Winter SWL Fest will be just days away and I will be back to Philadelphia on another of my famous AMTRAK adventures. The Fest is the radio highlight of the year for me and I hope I have the opportunity to chat with all of you.

It must have been the cold weather or the Christmas vacation or perhaps you all wanted to play a trick on old Dr. DX. Whatever it was, award applicants sure kept the lights burning late in my shack this time--I had to leave the Hammarlund on all night to keep the place warm and my coffee hot. But then, Daisy the DX Dog enjoyed the time with me in my radio room, an opportunity she has not had lately since I have been so busy. John Bryant must have received a new computer for Christmas (or a bottle of vitamins)! He is the proud owner of 17 new NASWA Greens, which brings his total to 34. John was in town last week and we had a nice visit--and I had a chance to give him grief about making my life so hard. With almost as many Greens is Richard E. Davis, our newest Master DX Centurion. Richard elected to also receive the photoengraved Master DX Centurion plaque, a real beauty. It was back-to-back St. Helena, Malawi, Palau and Bahrain that put him over the top.

Congratulations to all and on to listing the latest hard working folks to hang NASWA Green in their radio rooms:

Mark Anderson	World Wide DXer
Bruce Blomstedt	Senior Ecclesiastic DXer All American DXer
Bob Brown	Antarctic DXer DXer de Pacifica
John Bryant	International DX Listener with 200 station endorsement African DXer Asian Continental DXer Asian Continental DXpert European Continental DXpert Senior Indonesian Master Indonesian Master Soviet Sphere DXer Arab World DXer Arab World DXpert Maple Leaf DXer Tropical Band DXer All Continental QRP, 10 and 5 kW South American Continental DXer South American Continental DXpert Antarctic DXer 180 station endorsement for the Senior DX Centurion
Paul Buer	30 station endorsement for the All American DXer
David Carter	DXer de Pacifica
Jim Clar	World Wide DXer Senior Ecclesiastic DXer Pirate DXer
Richard Davis	Master DX Centurion (with the new plaque) World Wide DXer 25 station endorsement for the All American DXer African Continental DXpert 40 station endorsement for the Senior Ecclesiastic DXer 60 station endorsement for the Asian Continental DXpert 60 station endorsement for the Tropical Band DXer
David Galletly	Ecclesiastic DXer All Continental QRP, 25kW

Nick Grace	DX Centurion DXer de Pacifica European Senior DXer Arab World DXer All Continental QRP, 10kW
Scott Helm	Ecclesiastic DXer Senior Ecclesiastic DXer
Larry Kramer	Asian Continental DXer
Steve Lare	Senior Nigerian DXer
Jack Nibecker	Round-the-Clock Continental DXer
Lowell Pankake	International DX Listener
Sheryl Paszkiewicz	Senior Ecuadorian DXer
Bill Taylor	DXer de Pacifica Pirate DXer with 50 station endorsement Australian DXer

That's 51 awards from 17 people in 14 states: from California to New York and Michigan to Texas-- looks like we covered the whole country from side to side and top to bottom. Nice job, folks.

Featured Award of the Month

The Senior and Master Indonesian DXer awards are among some of the toughest to add to your collection. There are a number of reasons why they are such difficult catches and verifiers--low power, unfavorable propagation, unfamiliar language and a less efficient mail system (you know the scenario--hear them, write the report, send it off into the unknown and hope that Dexter's hints work). The Indos provide a split window of opportunity in some portions of the country, producing something called an "Indo Season." To get these awards, you will need to work hard and learn quite a bit about how radio waves propagate (and of course you will need the usual dose of good luck). You will also need some good help and luckily there is excellent help available.

A good place to start is with *Proceedings 1988*. "DXing New Guinea" by Cones, Rippel and Bryant gives a passel of information on the Indos of New Guinea. A good propagation article in the same *Proceedings* is Bryant's "Terminator Mechanics and Trans-Polar Solar Blanking." *Proceedings 1989* presents an outstanding article on propagation, Clark's "DXing Asians on the Tropical Bands: The Auroral Factor." Then in *Proceedings 1990* is the Mother-of-all propagation articles, Bryant and Clark's "Notes on Tropical Band Propagation," followed in *Proceedings 1991* by the-son-of-the-Mother-of-all propagation articles, Clark and Bryant's "Additional Notes on Tropical Band Propagation" and Tippet's "Long Path and Skewed Path Propagation on the Lower Shortwave Frequencies." [And I know it has nothing to do with what I am writing about, but the absolute best article ever on the history of radio is found in *Proceedings 1992/1993*, Berg's "The Foundation Years."]

Absolutely essential for writing reception reports to Indonesia is Tiare Publication's Indonesian Language Lab. As with the Latins, many Indonesian stations are small and remote and have no one available to read an English reception report. The Indonesian Language Lab allows you to effortlessly construct an individualized grammatically correct Indonesian report, sure to be a help.

Fine Tuning's Special Publications (Rt. 5, Box 14, Stillwater, OK 74074) publishes a wonderful help for Indo chasers, "A DXers Handbook.....Indonesia." In addition to explaining the details of Indonesian broadcasting, this publication presents maps, station locations, frequencies, conversion tables, sunrise/sunset times and even art work to help you construct your own self-prepared QSL cards. Its a lot of stuff for the \$6 (plus \$1 S&H) asking price.

So there is a lot of information available to turn you into an Indonesian hunter. How hard is this award to get? Since we started the awards program in May 1974, NASWA has awarded only 12 Senior Indonesian DXer awards and 15 Master Indonesian DXer awards, and all but three of these 27 were awarded in the 1980s. So it is a tough one, but it can be done; it just takes work (and I guess that is why we are all in the hobby).

Gotta go. Happy station hunting and I look forward to seeing you at the fest and seeing your award in the column next time.

the CPRV page

COMMITTEE TO PRESERVE RADIO VERIFICATIONS

JERRY BERG, Chairperson • 38 Eastern Ave. • Lexington, MA 02173 • (617) 861-8481

COKG ANTES CO9GC **APARTADO (P. O. BOX) 137**
 6150 K. C. 48.78 M. **LOMA DE QUINTERO**
SANTIAGO DE CUBA
CUNA DEL BACARDI

Distinguido Radio escucha:

Tempo recibiendo el placer de recibir su
 parte: el *Monday 4.5.22 MEST*

Le agradeceremos muy de veras su fina atención, por lo que le
 damos nuestras más expresivas gracias, y reciprocádola nos
 ofrecemos sinceramente a sus órdenes, muy atentos, y S. S.

Hermanos Grau

The CPRV files are kept, first, by type of QSL (SWBC, MW, etc.); then by country or state; and then by donor. Thus all the shortwave broadcast QSL's for a particular country are in a single file, with QSL's from individual donors in separate envelopes within the file. This means that the QSL's from a particular country, or even a single station within the country, can be examined at the same time. When viewed together, the QSL's often show an historical progression that is lacking in any single donor's collection. This month's illustrations are an example. They are all from the same station, but they belong (top to bottom) to DXers Ray LaRoque, Russ Mappin, Dick Daneke and yours truly, respectively. The station is Cuban COKG. The earliest QSL--I believe from 1936--is the second from the top, when the station was known as Laboratorio Radio-electrico, call letters CO9GC. The top card is from 1936 (note the reference, "antes [formerly] CO9GC"), and the third card from the top is from 1938. The bottom card is not a QSL as such, but a colorful postcard that I found at a paper show. The common element to all these QSL's is rum--Bacardi rum, to be exact. The top and bottom cards refer to "Cuna [Cradle] del Bacardi," the second card has the words "Ask For Bacardi" emblazoned across it, and the third card promotes the "Hora Bacardi" program. The bottom card is more rum than radio. Should Bacardi be proclaimed the hobby's "official" tuning oil?!

CO9GC **STGO. DE CUBA, 1936**
 6150 Kilociclos, 48-78 Metros **Abartado 137**
 Horas de Transmisión: **1936**
 Sr. Radio-escucha
 Hoy hemos recibido el placer de recibir su reporte por
 nuestra programación de la estación. Quedamos en esta
 estación e informados el resultado de sus recepciones.
 de Ud. perfectamente.
 Laboratorio Radio-eléctrico.
 Reporte No *Ray Caminero*

COKG **EMISORAS GRAU** **CMKG**
 6200 K. C. **HERMANOS GRAU** 1180 K. C.
 2.400 M. **APARTADO 137** 180 W.
 TRANSMISIÓN **SANTIAGO DE CUBA** ESTUDIOS
 LOMA DE QUINTERO **(CUNA DEL BACARDI)** 17A. 24
 TELEFONO 4104 **1938** 1938

Hemos tenido el placer de recibir su reporte de la estación 2-1-38
 el que encontramos correcto.
 Quedamos muy agradecidos a su fina atención y la aprovechamos para
 insinuarle a su familia nuestra Ciudad y soborar el "BACARDI EN SU CUNA".
 Atentamente,
HERMANOS GRAU

Sitacione la HORA BACARDI de 2 a 4
 p.m. y de 8.30 a 10.30 p.m. excepto los
 domingos que es de 12.1 a 1 a m.-E. S. T.



A Committee of the Association of North American Radio Clubs

Listener's Notebook

Dan Ferguson
P.O. Box 2604
Dale City, VA 22193
CompuServe 76702,771

COPYRIGHT NOTICE - Items credited to WBI (World Broadcasting Information) are copyright by the BBC Monitoring Service and may not be reproduced without BBCMS permission.

All times, dates, and days of the week are GMT (UTC), dates are MM/DD or MM/DD/YY.

Note that Ramadan starts February 24 & end March 24 this year. It's a good time to be looking for stations in Islamic countries in the Middle East and South Asia, as well as Malaysia and Indonesia, to be running with extended schedules.

AFGHANISTAN - Events on the ground in Kabul suggest that *Radio Afghanistan* has cut its hours. The morning domestic svc s/on at 0130 on 7199 with the evening svc at 1330-1830. There is no sign of the external service. (Sarath Weerakoon in Dec WDXC Contact via HJ)

ANGOLA - *R.Nacional de Angola*, Luanda, fade-in abruptly 0100 on 7245, typical of Midsummer African Mode. Audible until about 0500, right through our day! Astonishing level at around 0300, PP, with Afro songs. 1/3. (BP)

ANGUILLA - Erection of the first of five curtain antennas for the SW xmters of the *Caribbean Beacon* began about 12/20. It should be completed between 1/28 and 2/20. The first SW xmt has been paid for. It was still in Dallas 12/20 after factory testing. The former FM xmt and ant of Faith Center, Glendale, rated at 100 kw ERP on 99.5 MHz, are being shipped to Anguilla to replace the existing 5-kw equipment. No SW freqs announced yet. (Gene Scott on Univ.Network 12/20 and 12/29 via mf)

ARGENTINA - *Radiodifusion Argentina al Exterior* sked is: 0000-0100 Tu-Sa PP on 9690; 0000-0100 Tu-Sa SS on 15345; 0100-0200 Tu-Sa English, 0200-0300 Tu-Fr FF, 0900-1000 Mo-Fr JJ to As, 1000-1100 Mo-Fr PP, 1100-1300 Mo-Fr SS, all on 11710 kHz. At 1700-1800 SS to Am; 1800 EE, 1900 Italian, 2000 FF, 2100-2200 GG, all Mo-Fr on 15345 kHz to Eur/Afr. At 2200-2400 Mo-Fr SS to Eur/ME on 9690 & 15345 kHz. (WBI 12/18)

Radio Malargue, 6160.7 kHz, is seldom reported in North America, but was heard early in January around 1010. (HJ, MD) Noted 0400* by an Argentine Dxr, Ruben Guillermo Margenet. (Play Dx via HJ)

ARMENIA - *Radio Yerevan* reported 1/18 that during the first two weeks of the year

foreign language broadcasts were affected by an energy crisis in the country. The English newscast was read by candlelight. (WBI 1/22)

ASCENSION IS - Andrew Marsden, Transmitter Engineer, is veri signer at BBC Ascension. (Wait in DXA via DXSF via HJ)

AUSTRALIA - Australia is sending a contingent to Somalia [to join the Peacekeeping Force?]. *RAustralia* began testing *1/1 to 1/31 on 17840 kHz from Darwin at 0400-0500 using 250 kw at 290 degrees bearing. Programs are in EE but there may be special pgms for the troops when they arrive. (Mike Bird on RNMN 1/7)

AUSTRIA - *ORF* announced the week of 1/11 that Austrian Shortwave Panorama in English is no more. David Hermges, the presenter, has retired from ORF; no replacement has yet been found. Kurzwellen Panorama in GG will remain. (RNMN 1/14)

AZERBAIJAN - The new European service in English from Azerbaijan radio announces as *Radio Dada Gorgud, The Voice of Azerbaijan*. Dada Gorgud is the name of a Turkic epic hero. The broadcast is at 1700-1800 on 6175 kHz. Reception is poor due to RFI on the same channel. (WBI 1/1/93)

BANGLADESH - *Dhaka's HS* on 4880 now signs on at 0030 instead of 0000. (HJ)

BHUTAN - *Bhutan BS* Su on 6035 fading in at around 0900 to 1000*. (Sarath Weerakoon in Dec WDXC Contact via HJ)

BOLIVIA - *R. Maria Auxiliadora*, 4975, v/s is Mario Pani SDB, Director. (Ekblom in DXA via DXSF via HJ)

R. Florida, 3370, was heard by a French Dxr, Penaud, and reported in Play-Dx, at 0105.

This station is usually only heard in the morning hours and is a tough catch. (HJ)

R. Frontera, 4450; Dave Valko received a QSL from this station. The card was an amateur's card, from a member of the Radio Club Boliviano, Lino Miahuchi von Ancken CP9AR, at P.O. Box 179 Cobija, Bolivia. Miahuchi builds xmtrs and may be the source of the numerous Bolivians heard on this frequency in the past. Dave also received a 13th anniversary pennant from the station. (via HJ)

R. Emisora Minería, 4981, v/s in Jose Carlos Gomez Espinoza. (Eklblom in Scan. via Play Dx, via HJ) **R. San Miguel**, 4925, v/s is Jose Luis Aguirre Alvis, Director. ("OVE" in Eser Aktuell via Play DX via HJ) **R. Nueve de Abril**, 3200.4, heard by David Clark until 0104* on 12/31 only. (via NU) Well, at least they are still on the air. (HJ)

BOTSWANA - Radio Botswana, 7255; carrier on 0250, then s/on 0300, into long series of African songs, audible in our early afternoon until past 0400. First time I've ever heard this outlet in our midday period. Certainly, extremely enhanced propagation from East/Southern Africa into Melbourne 1/3.(BP)

Radio Botswana sked: 0255-0600 on 3356, 4830, 7255 kHz; 0600-1530 on 4830, 5955 (alt), 7255 & 9595; 1530-2000 on 3356, 4830, 7255; 2000-2200 on 3356 4830. English news is 0402-0404, 0510-0520, 0802-0804, 1110-1120 Mo-Fr, 1125-1135 Sa/Su, 1610-1620, 1910-1920, 2002-2004. "Around the World Today" is at 1645-1700 in English. (WBI 1/8)

VOA on 7265, first time noted on this freq! English to Africa at very sudden fade-in 0323, fading in and out through to well past 0400. Parallel 7280 and 9885. 1/3. (BP) Was one of the first frequencies used at the Botswana Relay, but not at a time for normal propagation to Australia. [df] **VOA** on 7280 kHz, abrupt fade-in 0324, English to Africa, audible to past 0400, parallel 7265 and 9885. All three outlets fading differently - at one instant, 9885 would be "up", and the others "down" - a few seconds later, 7265 would be dominant, and 9885 disappeared. 1/3. **VOA** with English to Africa on 9885 at 0330-0345, possibly propagating via the "African Midday Mode", 12/30. (BP)

BOUGAINVILLE - Per the IARN Bulletin on 12/27, **R.Free Bougainville** returned to the air on Christmas Eve. Not stated how long they were off. Frequency is 3870 kHz. 1/17 bulletin says island is blockaded & patrolled by boats & helicopters supplied by the Australian government. (John Norfolk)

BRAZIL - R. Cultura, 6105, v/s Ennes Mendes da Rocha, Gerente Geral. (Tell in Distance-r via Play DX via HJ) **R. Educacao Rural**, 5035, v/s Elijane Martins Correa. (Martin/DXA via Play DX- HJ) **R. Ribeirao**

Preto, 3205, v/s Segr. Miss Lucinda de Oliveira. (Aktuell in Scan via Play DX via HJ) **R. Brasil**, 4785, new QTH Av. Benjamin Constant 1214, Campinas 13013, SP v/s Wilson Roberto Correa Viana, Gerente. (Eklblom in Scan. via Play DX via HJ)

BURKINA FASO - Burkina Faso v/s is Pierre Tassebedo for 3 IRCs. (Hankison in Speedx via Play DX via HJ)

BURUNDI - R. Burundi, 6140.09, this might be the station I am hearing s/on in mid-song at 0302. Plenty of FF talk and vocals but no id yet. Now is the time to get this one as a big open carrier often blocks this frequency. (HJ)

CAMBODIA - Radio Moscow announced 1/19 that it would not transmit its Cambodian service via satellite after 1/29. (WBI 1/22) Wonder how many sat. listeners they had in Cambodia. [df]

The Khmer Rouge's station, **Voice of the Great National Union of Kampuchea**, continues to broadcast at 1200-1500 on 5408 kHz as the Khmer Rouge refuses to cooperate with the UN. The non-communist **Voice of Khmer** on 6325 has left the air in line with the UN peace process. (Sarith Weerakoon/Dec WDXC Contact via HJ)

CANADA - RFPI has chosen Salmon Arm, BC as the site for its second xmtr base. A license is being sought from the Canadian Radio and TV Commission. RFPI hopes to begin broadcasting to Asia by the end of 1993. (ODXA quoting a British Columbia paper on RNMN 1/7)

You may find 100 watt **CFVP**-Calgary in the clear after 1200 on 6030 when the VOA and Radio Marti are off this frequency. Check for ID's as "AM-106", since it relays CFCN on 1060 kHz. (WOR, via ODXA)

CHINA - Xilingol PBS, 4950 kHz, *1010. Not Xinjiang PBS. (Kito in OZDX via SURICALL via DXSF via HJ)

C.I.S. - Gene Scott Network on new 6120 1/2, EE religious feature, 2030-2100+ QRMing co-channel Helsinki. This "Network" is becoming a real pest, as is Aum Shimriko! **R. Beijing** on 7130, relayed over CIS facility, strong level with Persian 1815-1827* 1/1. **AWR-Ekaterinburg** on new 7140 for RR, 1900-1930, dominant over co-channel BBC-Cyprus (AA service). 12/30. **DW-Novosibirsk**, ending Indo 2320 on 7315. But then had GG, which was supposed to be on 7340 but unheard there. 7315 continued to 2330 when GG finally switched to 7340. At 2330, **RMWS** in EE on 7315. Probably a switching error. 1/2. **DW-Novosibirsk** 7340 kHz, strong with GG, *1000 12/30. RR station on new 9335, 2200-2230, network unknown, 12/31. **BBC-Chita**, vy good on new 9845, *1000 CC, 12/30. (BP)

COLOMBIA - *Radiodifusora Nacional* heard again on 9655 kHz since 12/20; from 2130 Colombian music & IDs till 2355, when RHC signs on. Strong signal, but QRM from R. Norway after 2300. Still there 1/10. Ex 9685, used in November. (EB)

R. Nueva Vida, 5570v, has reactivated; heard in early January at 1015. (HJ)

Ondas del Ortuquaza, 4976, v/s is Jorge Daniel Santos, Gerente. (Baxter in DXA via DXSF via HJ)

COOK ISLANDS - *R. Cook Islands*, 11760, might still be on the air but is perhaps suffering xmtr trouble. (Weatherley in DXSF via HJ)

COSTA RICA - *Radio Exterior de Espana* broadcasts from Cariari: To NA/SA at 0100-0400 (-0500 Sa/Su) on 15125; 1100-1300 & 1900-2200 Mo-Fr, 1500-2300 Su, 1600-2300 Sa, on 17890 kHz. To CA at 0200 (0100 Sa/Su) -0500 and 1200-1400 Mo-Fr on 5970; 2000-2300 Mo-Fr, 1500-2300 Su, 1600-2300 Sa, on 9745 kHz. To NA at 1200-1300 Mo-Fr on 11880; 1400-1500 & 2000-2300 Mo-Fr, 1500-2300 Su, 1600-2300 Sa, on 17870; 0200 (0100- Sa/Su) -0500 on 15380 kHz. (REE announcement 12/13, via WBI 12/18)

Adventist World Radio heard on 6150 at 0300-0504* w/NA after SS program. Also on // 5030, both with low audio 12/21, but since January only Caracol is heard on 6150 all night. AWR sure made a mistake moving to the Cahuita site; the old xmtr at Alajuela was a powerhouse. Now barely audible on any frequency. (EB) Maybe it depends on their intended target area. [df]

Radio Casino tentatively noted on 5953.6 at 1210 with EE religious talk by a woman to 1232 when WYFR suddenly on. Heard 12/27 only, when WYFR was missing, but no ID. (EB)

Do not send cassette tapes to Costa Rican [stations]. All parcels bigger than an ordinary letter go thru Costa Rican customs. Duty charged may bear no relation to the actual cost of the tape or gift. More than one trip to the customs warehouse may be required of the addressee. (Ellen Searby, "The Costa Rica Traveler," 3rd ed., 1992 printing, via mf) [This is my favorite book on Costa Rica at the moment. It's short on listings of accommodations and attractions compared to other books but there is no lack of do's and don'ts, e.g.: Do look down before getting off your horse or you may find you are standing on an anthill. Don't wear perfume, which can attract swarms of {Africanized} bees.--mf]

CROATIA - *Croatian Radio* addresses: Studio Zagreb, PO Box 1000, 41000 Zagreb or Radnicka 22, Zagreb. (Baxter in DXA via DXSF via HJ)

CUBA - *R.Havana Cuba* on new 9510, English nx 0605, 12/30. (BP)

The EE service of *RHC* anncd at 0500* 1/13: 0000-0500 on 6010 kHz. (conflict with R. Mil, Mexico City); 0000-0200 on 9815 SSB; 0100-0330 on 9655 kHz; 0400-0500 on 6180 kHz. (Mike Fern--CA) RHC has two SSB services: 2100-2300 in SS and 2300-0000 in EE on 13660 and 0000-0200, the World Wide SSB Service, on 9815 kHz. (DXers Unlimited 1/13)

CYPRUS - *BBC* on 6180 at 0600-0715+ with World Service. Cyprus listed, but propagation into Melbourne doesn't support this. Slight delay compared w/7150, UK xmtr, 12/31. (BP)

CZECH REPUBLIC - At the end of 1992, all studios and production for the External Service were in Prague. Xmters were in both the Czech Republic and in Slovakia. BBCM did not know of any regular programs from Bratislava, the Slovakian capital, in the old year. On the morning of 1/1 *R. Czechoslovakia's* external service had been re-named *R. Prague, the External Service of Czech Radio*. [See why they held on to the old QSLs?] Czech Radio has kept all of the old xmtr sked of R. Czechoslovakia, including foreign languages, and runs it from Prague. Czech Radio has added 2 x 30 min in Slovak targeted at Slovak listeners, reporting on events in the Czech Republic. (Richard Measham, BBCM, on RNMN 1/7) R. Prague continues to use SW xmters in both countries. (JM on RNMN 1/7) Slovak broadcasts from R. Prague are 1030-1100 & 1430-1500 on 5930 kHz. (WBI 1/8)

Radio Prague xmsns to Eur (one hour earlier in Z93): English at 0700-0730 on 6055, 7345, 9505, 11990; 1130-1157 on 6055, 7345, 9505, 11990, 15355; 1800-1827 on 5960, 6055, 7345, 9605; 1930-1957 on 6055, 7345; 2100-2127 & 2200-2230, both on 5960, 6055, 7345, 9605. Czech at 1500-1600 (to Eu/ME/Afr) on 5930, 6055, 7345, 11685, 13715, 15520; 1730-1757 on 5930, 6055, 7345; 1900-1957 on 5930, 5960, 6055, 7345, 9605. FF at 0600-0630 on 6055, 7345, 9505, 11990; 0800-0830 on 6055, 9505, 11990; 1200-1227 on 6055, 7345, 9505, 11990, 15355; 1630-1657 (to Eu/Af) on 6055, 7345, 11685, 13715, 15520; 1730-1800 & 1930-2000 on 5960, 9605; 2030-2057 on 5960, 6055, 7345, 9605. GG 0630-0700 on 6055, 7345, 9505; 1030-1100 & 1300-1400 on 6055, 7345, 9505, 11990; 1730-1757 on 5930, 6055, 7345; 2000-2030 on 6055, 7345. Slovak 1030-1100 & 1430-1500 on 5930. SS 1230-1257 on 6055, 7345, 9505, 11990, 15355; 1830-1900 on 5960, 6055, 7345, 9605; 2000-2030 on 5960, 9605; 2130-2157 on 5960, 6005, 7345, 9605. Other Radio Prague xmsns: EE to NA 0000-0027 on 7345, 9580, 11990; 0100-0130 on 5930, 7345, 9580; 0300-0330 on 5930, 7345, 9810. EE to NA/ME/Af/As 0400-0430 on 5930, 7345, 9810, 11985, 13715; to Aus/As 0730-0800 on 17725,

21705. Czech to Am 0230-0300 on 5930, 7345, 9810, 11990; to Aus/As 0800-0830 on 17725, 21705; to Am 2330-2357 on 5930, 7345, 9580, 11990. FF to Am 0030-0100 on 5930, 7435, 9580; 2230-2257 on 7345, 9580, 11990. SS to Am 0200-0227 on 5930, 7345, 9810, 11990; 2 300-2327 on 5930, 7345, 9580, 11990. (WBI 1/8)
Czech Radio's 'Radiozurnal' pgm is on 5930 kHz. ('Cesky Denik' 1/5, via WBI 1/15)

DOMINICAN REPUBLIC - *Radio Estrella* tentatively noted on 6205.5 kHz at 0100-0142 when abruptly s/off after pop music and SS anmts. Weak signal 12/26. Could this be the old Radio Discovery xmtr in Santo Domingo? (EB)

Radio Santiago item in January LN with VOA US election coverage 0100-0400 fade was on 9877.5v kHz. I'm pretty sure I reported the frequency. (EB)

La N-103, 4799.84, reactivated, strong but distorted at 0445. (Crawford/ DXSF via HJ)

ECUADOR - Ecuadorian harmonic reported on 2967.7 on WoR & DXPL 1/9, apparently 2 x 1484, but announcing 1510 in Bolivar. 1986 WRTH lists Radio Runacunapac, Yachana Huasi, Simiatug, Bolivar. (EB)

La Voz Del Upano, Macas, with 6 SW xmtrs, reaches the most remote parts of Ecuador with secondary-education courses. The SW freqs are 3360 (new), 4870 (new), 5020, 5040, 5965 and 6000 kHz. Ordinary religious, cultural, music and sports programs are aired on 1540 kHz, 90.5 MHz, and 5040 kHz. The other freqs are dedicated to the "education at a distance" program for the entire country. (Quito newspaper Hoy on DXPL 1/9)

R. Popular, 4800, has reactivated. Heard mornings at 1015. (Dave Valko via HJ)

Escuelas Radiofonicas Populares, 5010v, says in a verification letter to Dave Valko: The station operates 0900-1400 and 2100-0230, 1 kw French TRT xmtr that is about 50 years old; a dipole antenna located on or near Mount Chiborazo, which is about 15 kilometers north of Riobamba. MW is 10 kw, FM is 1 kw. Address is Velasco 20 60 y Guayaquil, Riobamba, Ecuador. v/s is Juan Perez Sermiento, Director Ejecutivo. (Don't forget return postage.) (Dave Valko via HJ)

EL SALVADOR - *R. Venceremos* 6300, reply received from Apartado Postal 05-209 Metro Centro, San Salvador. (Aoi in DSWCI via Play DX via HJ)

EGYPT - *Cairo* on 17670 with General AA px, Koran readings 1820, unusual signals for our early morning, 1/1. (BP)

ESTONIA - *R. Estonia* address for English Service: 21 Gonsiori st., EE0100 Tallinn, Estonia. (Baxter in DXA via DXSF via HJ)

Radio Tallinn, 5925. Hours have been cut back due to an energy shortage in Estonia. (Timofeyev in Nov DSWCI via HJ)

FRANCE - *RFI* on recently new 11695 with FF nx reports 0538, different program from RFI FF on adjacent 11700. Latter network is in fact known as "RFI plus Africa". 1/2. (BP)

FRENCH GUIANA - *RFO* reactivated 5054.2 on January 8 noted at 1000. (HJ)

GABON - *NHK-Moyabi*, 9645, s/on 0400, JJ for Southern Africa, strong level on peaks, to past 0430. Another Summer African. 1/3. (BP)

GEORGIA - *Georgian Radio's* ext. svc is currently observed at 0600-0630 in EE, 0630-0700 in RR, both on 11805.3 kHz; at 1600-1630 in EE, 1630-1700 in RR, both on 9656.3 kHz. (WBI 1/22)

GERMANY - *RFE/RL*, Lampertheim, on 7245 with special New Year's Eve multi-lingual "Party" programme, in period 2300-2330+, also audible on 9555, 9520. Usual programming programmed for the "special". 12/31. (BP)

GREECE - *Athens* on new 9400 for GG 1930, into Italian segment 1945. Italian nx presented by lady with very strong Greek accent. Parallel 7450 also heard 12/28. (BP)

GRENADA - *GBC* has no plans to return to shortwave, but they said they have plans to start up FM in a letter to Dave Valko. (HJ)

GUATEMALA - *TGSL La Voz de los Chuchumantes* (K'ekchi for train engineer) at 0015 on 2100, 1050 x 2. (Crawford in DXSF via HJ) *R. Maya de Barillas*, 2360, v/s Jose Castaneda, Gerente. (Mellquist in Distance-r via Play Dx via HJ)

INDIA - *All India Radio* General Overseas Service sked: 2245-0045 to EAs/SEA on 11745, 15110, 15145; 2245-0045 to NEAs on 11715 & 9910; 1000-1100 to NEAs 1000-1100 on 15050, 17895; 1000-1100 ANZ on 15050 & 21735; 1745-1945 to EAfr on 11935 & 15080; 1745-1945 to Eur on 7412 & 11620; 1745-1945 to Afr/ME on 9950 & 11860; 2045-2230 to Eur on 7412, 9950, 11620; 2045-2230 to ANZ on 9910, 15265, 11715.

Hindi at 2300-2400 to SEA on 9950, 11620, 15165; 0315-0415 to Afr on 15080, 17387; 0315-0415 to the Gulf on 15165, 17387; 1615-1730 to Eaf & WAs on 11830, 15120; 1945-2045 to Eur on 7412, 9950, 11620. Urdu at 0015-0430 on 6155; 0100-0430 on 9610; 0830-1130 on 9675, 11620; 1430-1930 on 4860, 6045. Tamil at 0000-0045 on 4990, 9550, 9950, 11620, 15165; 1115-1215 on 15080, 15335, 17387, 17850. Telugu at 1215-1245 on 15335,

17387. Sindhi at 0100-0200 on 5990, 7125; 1230-1500 on 6165, 11620. Gujarati at 0415-0430 on 15080, 17387; 1515-1600 on 11805, 15120. AA at 0430-0530 on 15050, 17785; 1730-1945 on 9910, 15185. Baluchii at 1500-1600 on 6165, 11620. Burmese at 0100-0130 on 9950, 11880, 15325; 1215-1315 on 10330, 11715. Chinese at 1145-1315 on 11735, 15050, 17705. Dari at 0300-0345 on 7225, 9910, 11910; 1330-1430 on 7140, 9910. FF to Africa at 1945-2030 on 9910, 11860, 15185. Indonesian at 0845-0945 on 15050, 17387. Nepali at 0130-0228 on 3945, 6045, 7210, 9550; 0700-0800 on 7250, 9610, 11735; 1345-1445 on 3945, 7412, 6140. Persian at 0400-0430 on 11730, 15050, 17805; 1615-1730 on 7265, 9910, 11935. Pushtu at 0215-0300 on 7225, 9910, 11910; 1430-1545 on 7140, 9910. RR at 1615-1715 on 11810, 15140. Sinhala at 1300-1500 on 9700, 15020. Swahili at 0430-0530 on 15080, 17387; 1515-1615 on 11830, 15080. Thai at 1115-1200 on 11715, 15365, 17830. Tibetan at 0130-0220 on 9950, 11880, 15325; 1215-1330 on 7412, 9565. (India Calling, 12/92, via Scott Edwards, Los Alamitos, CA)

AIR Bombay on 4840 kHz ran extended sked New Year's Eve, 1700-1900, in Hindi. Local pgm, different from Delhi's Nat. Net on 4860. **AIR** fade in 0230 on 11910, Pashto svce, Indian songs, via midday Asian mode, 1/1. (BP)

From Dave Clark's World Radio Report in the Ontario DX Association, here are some details on the rapidly changing AIR domestic scene from, Manosij Guha in Delhi:

AIR Itanagar (Arunachal Pradesh) allocated frequencies are 3345, 4990, 6120, 7200 and 9650; heard testing on all of these channels except 3345.

AIR Thiruvananthapuram (Kerala) has allocated frequencies of 3315, 4990, 5010, 6085, 7260 and 9650; heard testing on all. Note that some frequencies duplicate those assigned to Itanagar. The power is now understood to be 50 kW (not 10 kW as previously stated).

AIR Gangtok (Sikkim) has been allocated 3390 but is not presently on the air.

AIR Imphal (Manipur) has been allocated 6035, 7130 and 9650 but is not yet on the air.

AIR Jaipur is being heard continuously in the period 1130-1740 on 4910. It has been asked not to use 3345 which continues to be used some evenings by AIR Kashmir (Jammu). [Jaipur is still noted on 3345 around 0100, as on several dates in late Dec/early Jan /dmc] v/s is S.C. Sharma Station Engineer. (Foster in OZ DX via Play DX via HJ)

AIR Hyderabad has a new 50 kW xmtr installed for which the allocated frequencies are 3295, 4990, 6120, 7290, and 9715. [The upgrade from 10 kW appears to result in the elimination

of Hyderabad's traditional 4800 kHz channel which I was hearing in December /dmc]

The **AIR** External Service from Panaji (Goa) has allocated frequencies of 5980, 6085, 7200, 9650, 9755, 11745, 11915, 15145, 15355 and 17725. Two 250 kW xmtrs are to go into svc but now only being heard testing on 7200. (via Fax from Manosij Guha) (via ODXA)

INDONESIA - Yet another new RRI outlet! Apparent s/on 0330 on 9705, string of commercial messages, including Baby Products. Then into "Soapie", more adverts 0345. Drama ended 0356. Promotion for Jakarta news at 0400. Superb signal on peaks, unheard this freq previously. At 0400, Jakarta nx relay audible on 9745 (Sorong), 9735 (listed by ITU as Merauke), 9552 (Ujung Pandang) and on new 9705. IFRB THFBS lists 9705 as Pontianak, 50 kW, 0000-1000. First audible on 1/3. (BP)

RRI-Sorong, 9742 kHz; one of very few "Midday Asians" audible this summer. Fade up abruptly 0210 with local nx items. Different program from the other Indo on 9735, audible same day in same time period. 12/30. (BP)

A letter from **RRI Pekanbaru** says from 11/10, they are using a new antenna from Japan's NEC. Operates on 5985 kHz 0110-0310 and 0930-1510. (Juichi Yamada, Japan)

RRI Palangkaraya suddenly seemed to become 'semi-regular' on 3324.92 around 2155 to 2225 with a strong carrier, albeit rather low audio level, during the Christmas holiday period. (Dave Clark in ODXA)

RRI Jambi moved to and has remained stable on 4925 (ex 4926.9v) since early December with a more reliable signal, both mornings (around 1230-1330) and afternoons (around 2200-2245). (Dave Clark in ODXA) Schedule is 3355 at 1700-2200, 4927 at 2200-0100 & 0900-1400. (OZDX via Play DX) v/s is Marlis Ramali. (Goldfinch in ADXN via Play DX) (both via HJ)

Unid 2880v in Sumatra perhaps no Jakarta news at 1300. Unid 3558v weak at 1300-1500. Cannot be RPDT2 Asahan as that station is no longer on air. (Sarath Weerakoon in Dec WDXC Contact via HJ)

RPDT2 Aceh Timur, might be the station on 3460 at 1134. (Foster in OZDX via SURICALL via DXSF via HJ)

RRI Surabaya, 3976, reactivated. (Foster in OZDX via SURICALL via DXSF via HJ)

INTERNATIONAL WATERS - The Dutch authorities have decided to return all the equipment and a good part of R. Caroline's record library to the station's owners. US\$750,000 worth of discs and gear was confiscated during a joint Dutch-British raid on the MV Ross Revenge in 1989. The Dutch believe that changes in British broadcasting law make it unlikely that the ship will operate from the North Sea again, and there seems to be no

legal reason to destroy what is a priceless record collection. (RNMN 1/7)

IRAN - VOIRI, Tehran, on 9720, with rather late LP signals, FF nx 0640, with Iranian local musical selections, 12/31. (BP)

(Clandestine) The Iranian opposition station, previously calling itself Iran's Flag of Freedom Radio, was noted 1/18 with the ID *Voice of Human Rights and Freedom for Iran* [Persian: Seda-ye Hoquq-e Bashar va Azadi-ye Iran]. According to announcements it operates daily at 1400 on 15620 kHz; repeated next day at 0645 on 15008(?) and 15620 kHz. (WBI 1/22)

IRAQ - Baghdad on 13680 with Special English service for New Year's Eve, with greetings to listeners, 2000-2100. (BP)

R. Iraq International broadcasts in EE, apparently for India, from 1400-1700 on 15250 kHz. (Michael Keir, Wales, on RNMN 1/21) BBCM had not found any RRI EE for Eur at the turn of the year. It seems to have lost track of the EE programs that had been on 15210 kHz. Frequency usage is very erratic; sometimes it's there one day and not the next. (Richard Measham, BBCM, on RNMN 1/21)

R. Baghdad is not normally easy to hear in Europe. One home service freq well received in Holland at the time the U.S. air attacks began was 6560 kHz, from *1800. This freq carries the Kurdish service and typically closes at 2100, but on 1/13 it stayed on the air well past 2100. (Andy Sennitt on RNMN 1/21) The Baghdad home service on 4615 kHz is heard well in the UK in the late evening and early hours of the morning [*2200-0300*]. (Richard Measham, BBCM, RNMN 1/21)

Iraq is still the jamming champion in the Middle East, having rebuilt its jamming xmtrs before restoring broadcast gear. Certain Arab-language programs directed into Iraq are subject to deliberate interference. Baghdad's broadcast efforts have been erratic. Its EE consists of sporadic news bulletins inserted into the AA service. (RNMN 1/14)

(Clandestine) *Voice of the People of Kurdistan*, Sulaymaniyah, moved from Galalah in October, 1992. Broadcasts from "Voice of Iraq-Iraqi Broadcasting Corp" have been carried by this clandestine since mid-December, 1992. Schedule is 0500-0700 & 1600-1800 in Kurdish & AA, with the first hour of each xmsn being the "Voice of Iraq" broadcast. There's an irregular xmsn in Turkmen at 1800-1820. Frequencies are 4085 and 5880v (5845-5880). (WBI 1/8)

The clandestine *News Center of Free Iraq* [AA: Markah Akhbar al-Iraq al-Hurr] has AA xmsn at 1700-1853 on 630 kHz, and at 2200-2253 on 11695 kHz. The station was first observed in March 1992 on 15190 kHz, which was also used by the Voice of the Iraqi People,

with which this station may have some connection. It's hostile to Saddam Husayn and the government of Iraq. The station was first heard on 630 kHz on 8/23/92. (WBI 1/8)

The *Voice of the Free Men of the Peninsula* [AA: huna idha'atu sawti ahirari al-jazirah mina al-Riyad], claiming to broadcast from Riyadh, was noted with AA news in progress at 2230 on 1/18. Reception was poor, but the station took a clear pro-Iraqi-government stance. After the news was a commentary attacking hypocrites and traitors, and an Iraqi song. The xmsn closed at 2256. It was heard again at about the same time on 1/19. The frequency, 11860 kHz, is at other times used by the external service of the Republic of Iraq Radio, and for the Holy Medina Radio, also believed to originate in Iraq. (WBI 1/22)

ITALY - Surprised to hear Network 2 at late time of 0735, on 7175 kHz, Italian nx. Revealed now that CIS vacated this channel in 0700-0800 period. (BP)

JAPAN - Radio Japan's primary SW xmtr site at Yamata began broadcasting in 1941. Two new 300-kw xmtrs were placed in service 1/3/93, bringing the total to 6 x 300 kw and 4 x 100 kw xmtrs. It has nine 300 kw curtain antennas, four 100 kw curtains, and four 100 kw log-periodic antennas. Four 300 kw xmtrs and four 100 kw xmtrs were installed in 1988. They were being overworked after *RCI* & *RFI* began using them as relays. Radio Japan plans to add 3 x 300 kw xmtrs and three new curtains in 1993. These will be used for services to East & Southeast Asia. Testing of the first two xmtrs took place between 11/9 and 12/21. Total broadcast hours in both the General and Regional Services will be increased. The General Service will be extended by two hours to a total of twenty-five hours daily. [Hmm, the Japanese have invented a day-stretcher.] Other additions are: RR, 30 min; Korean, 60 min; Regional Service, 27h 30m per day. The third 300 kw xmtr began test xmsns in January and will go into regular service in March. R. Japan is also changing its xmsn system at the broadcasting center in Tokyo. Programs now recorded on analog tapes will be recorded digitally on optical disks, ending the fear of tapes breaking in mid-program. The EE and JJ programs in the General Service will be aired side-by-side between 2200-2400.

R. Japan had six feed lines to Yamata in 12/92: General Service (1), Regional Service (3), RCI (1), and RFI (1). Four new feedlines will be added, giving General Service (2), Regional Service (5), RCI (1), RFI (1), BBC (1).

Radio Japan and the *BBC* plan to start an exchange between Yamata and BBC's Singapore relay at Kranji. Negotiations are nearly complete. BBC programs for China will be relayed via Yamata. RJ's xmsns to SE Asia will be relayed via Kranji. The Singapore relay may

include special programs for JJ peacekeeping troops in Cambodia. Singapore relays and new programs for the Russian Far East may start when RJ begins its new broadcasting year April 5. (Toru Yamashita on RJMR 12/20)

Radio Japan sked, through 3/6: The **General Service** has Japanese at 0200-0300, 0400-0500, 0600-0700, 0800-0900, 1000-1100, 1200-1400, 1600-1700, 1800-1900, 2000-2100, 2200-2300, 0000-0030; English 0300-0400, 0500-0600, 0700-0800, 0900-1000, 1100-1200, 1400-1600, 1700-1800, 1900-1930, 2100-2200, 2300-2400, 0100-0200. Frequencies are: To **Southeast Asia** at 0100-0900 17810*; 0500-0600 21610*; 0800-1000 21610*; 0900-1400 11815*; 1100-1200 21610; 1400-1500 11815; 1600-1700 7210*; 1600-1800 11815*; 2000-2200 11840*; 2100-0030 15430; 2100-0030 17810*. (At 2200-2400 they relay domestic service NHK Radio 1.) To the **Asian Continent** at 0100-0200 15195*; 0100-0300 17835*; 0300-0900 17765*; 0900-1000 11890; 1000-1200 11840*; 1000-1400 9750*; 1300-1400 7210; 1600-1800 7140*; 2000-0030 11815*; 2100-0030 15195*. (2200-2400: Relay domestic service NHK Radio 1.) To **South Asia** at 0000-0030 17845*; 0100-0200 11840S; 0100-0300 17845*; 1300-1500 9535S; 1800-1900 9590*. To **North America** at 0200-0400 5960C; 0200-0700 15230; 0400-0700 17825*; 1100-1300 6120C; 1200-1930 9535*; 1800-1900 11865; 2000-2100 17825*. To **Central America** at 0200-0300 15325F. To **South America** at 0000-0030 21635G; 0200-0300 15350F; 0800-0900 9675F, 11875*; 1000-1100 15350F; 2200-2300 9685F. To **Oceania** at 0600-0900 17860; 1800-1900 9640, 11850; 1900-1930 11875* 2000-2200 15280, 17890. To **Europe** at 0400-0500 5960B, 6030B; 0500-0600 6085B, 7230B; 0600-0800 5970B, 6025B; 0700-0800 15170*; 0800-0900 21640G; 2000-2100 6005B; 2100-2300 11925G; 2200-0030 6050B, 6125B. To **Middle East** at 0400-0500 17820S; 0700-0900 21575G; 1600-1700 21700G; 1700-1900 17775S. To **Africa** at 0400-0500 9645G; 1500-1600 15355G.

The **Regional Service** has AA to ME/NAf 0330-0400 17820S; 1930-2000 9560*, 17775S. **Burmese** to SEA 1115-1145 15300, 17820*. **Bengali** 0200-0230 11840S; 1530-1600 9535S, 11880. **Chinese** to Asia 0400-0500 15210, 17835*; 1130-1230 7210, 9580; to SEA 1245-1345 15300, 17820*; to Asia/SEA 1500-1600 6185*, 7210, 11840. **English** to NA/CA/SA/Hawaii 0300-0330 17825*, 21610; to CA 0300-0330 15325F; to Oceania 0900-1000 15270, 17860; **French** to Europe 0630-0700 15170*, 15355G; 2130-2200 6050B; to ME/NAf 1830-1900 9560*. **German** 0600-0630 15170*, 15355G; 0830-0900 9670B, 9770B; 2100-2130 6005B. **Hindi** 0230-0300 11840S; 1600-1630 9535S, 11880. **Italian** 0545-0600 15170*, 15355G; 2015-2030 15340G. **Indonesian** 1015-1115 15300, 17820*; 2300-0000 11840,

17785*. **Japanese** to NA/CA/SA/Hawaii 0200-0300 17825*, 21610. **Korean** 0300-0400 15210, 17835*; 1030-1130 7210, 9580; 1400-1500 6185, 7210. **Malay** 1145-1215 15300, 17820*. **Persian** 1900-1930 9560*, 17775S. **Portuguese** to SA 0900-0930 9675F, 11875*. **Russian** to Europe 0500-0530 15170*, 15355G; 0800-0830 9670B, 9770B; 1930-2000 6005B; to Asia 0915-0945 9750*, 11840*; 1230-1300 7210, 9580. **Swedish** 0530-0545 15170*, 15355G; 2000-2015 15340G. **Spanish** to CA 0330-0400 15325F; to SA 0330-0400 15350F; CA/SA 0330-0400 17825*, 21610; to SA 0930-1000 9675F, 11875*; to Europe 2030-2100 15340G. **Swahili** 1715-1745 7180G, 9590*. **Thai** 1215-1245 15300, 17820*. **Urdu** 0300-0330 11840S; 1630-1700 9535S, 11880. **Vietnamese** 1345-1415 15300, 17820*; 2230-2300 11840, 17785*. (Unmarked = Yamata, 100 kw. * = Yamata, 300 kw. G = Moyabi, Gabon, 500 kw. F = Montsinery, French Guiana, 500kw. C = Sackville, Canada, 250 kw. S = Ekala, Sri Lanka, 300 kw. B = Skelton, U.K., 250 kw.) (Toru Yamashita, Korean Service, Radio Japan)

JORDAN - Amman's EE svc is on 9650, ex 9560, at 1505. (Lippmann in DSWCI via HJ)

KENYA - Nairobi was on 6150 with extended sked for New Year's Eve, Swahili, in period 2000 to 2230 fade out. (BP)

The *Voice of Kenya*, is putting a spectacular signal into Sri Lanka on 6150 kHz, stronger than VOA Kavala in Hindi on 6160 between 1600-1700. (VG on RNMN 1/7)

KOREA (North) - *Pyongyang* on new 7580 for morning service in Japanese, *2100, parallel 9650 and 11780 all heard, 12/28. And on new 11905 for AA service 2000-2050* 12/29. And on new 15130 for English to Americas, *0000-0100*, good level, 12/29. (BP)

The *Pyongyang* regime is adding to its supply of jamming xmitters. Toru Yamashita and Atoshi Otsuka of the Asian Broadcasting Institute are active Japanese SWLs. On 11/6, Atoshi noted jamming on the Korean program of KSDA, Guam, 9650 kHz at 1300-1400. A repeat at 2000-2100 on 11980 is also jammed. Yamashita then checked KK services of other international broadcasters and found that all KK programs of the Voice of America are blocked. The jammers have a distinctive note, a combination of a.c. tone and induc trial-engine jamming. Yamashita says that direction finding and the unique sound indicate the jamming comes from inside North Korea. No other broadcasters seem to be affected so far.

TY: R. Japan, Voice of Free China, R. Moscow, and KTWR's Korean Service have no problems now.

JM: In April 1991, North Korean jammers started blocking signals originating in Seoul, South Korea, which carried a relay of the KBS Radio I network from 2200-0400 on 9525 kHz. A few months later the jamming was stepped up.

TY: In July or August, all of the Korean service of Radio Korea was covered by jamming.

JT: Bill Whitacre, chief of the Frequency and Monitoring Division of the VOA, told Media Network 1/13 that the jamming is not effective in South Korea. One way to combat jamming is to use a directional antenna. Mike Villard, W6QYT, has written a follow-up article on directional antennas for SW portables for the 1983 World Radio TV Handbook. Radio Netherlands also has a brochure about SW loops; it's listed in our Listeners' Services Catalog, available free of charge. (RNMN 1/14)

KOREA (South) - Radio Korea on 9525 from *2155 IS & NA, 2200 TS & KK talk till 2300, when R.Marti signs on; often good since 12/26. Sounds like a Korean domestic program. (EB)

LAOS - In spite of BBCMS report, no sign of Laos on 5980. (Sarath Weerakoon in Dec WDXC Contact, via HJ)

LESOTHO - BBC, 6190 kHz; tuning signal 0253, into World Service relay 0300, to 0330. Parallel with 6005 Ascension also heard. Listed 15 kW and this makes this reception even more unusual! 1/3. Also, BBC relay, 6190 kHz; one of several Australian midday African Mode signals, "Alternate English" px to Africa at fade-in 0345, to 0400*. Was 1.45pm local time here! This was the only signal in the 49 mb at this time! 12/29. Propagation path unknown. (BP)

LIBYA - Radio Jamahiriya on 15415 1/1 from 1600 reading "Green Book" in RR till 1753; then AA. Another day after 1600 in GG, but often weak or no audio. (EB)

LITHUANIA - Radio Vilnius announced 12/30 that 17605 & 17690, via the Russian Far East xmtrs, would be dropped 1/1. Also from 1/1 the English at 0000 would be on only one shortwave frequency, 9530 kHz. The usb feeder on 10344 now has RMWS in English. (WBI 1/8)

LUXEMBOURG - R. Luxembourg's FF service is using the former GG language freq of 6090 kHz. (Graham Stevenson, Scotland, on RNMN 1/7) The GG service on 1440 kHz is heard on SW via the 10 kw xmtr on 15350 kHz. (JM on RNMN 1/7) A compact disk containing a lot of documentary material broadcast during the last hours of R. Luxembourg's EE service 12/31 is in the works. (RNMN 1/7)

MADAGASCAR - RN-Talata, excellent signal on 9860 kHz with EE to S. Asia, 0230-0300. Short-path mode, substantially daylight route across S. Indian Ocean. 12/30.(BP)

MALAYSIA - RTM Kota Kinabalu, Sabah, 4970 kHz; morning s/on is 2000 now, in lieu of later timings. Opens with full ID in Malay, listing freqs and program preview. 12/31. (BP)

R. Malaysia, Kuala Lumpur, on 9750 kHz; Interesting propagation, English feature 0800-0830*, rare at this time, 12/31. (BP)

Radio 2, rather than the listed Radio 4, heard on 7295 khz at 1200. Now is the time as the Radio 2 service is listed as being on FM only. (B.Grondin in Dec DSWCI via HJ)

MARIANA ISLANDS - FEBC's KFBS is scheduled: 0900-1400 RR on 11650; 0930-1000 Bugis, 1000-1030 Sudanese, 1030-1100 Javanese, 1100-1300 Indonesian, all on 15380; 1000-1600 Mandarin on 9495; 1130-1145 Mongolian, 1145-1200 RR, both on 11705; 1200-1445 RR on 11665; 1300-1430 Vietnamese, 1430-1530 Burmese, both on 9670; 1400-1830 RR, 1830-1915 (Tu) Ukrainian, 1830-1900 We/Th RR, 1830-1930 Su/Mo/Fr Ukrainian, 1830-1900 Sa Ukrainian, 1900-1930 Su GG, 1900-1930 We/Th Ukrainian, 1915-1930 Tu Polish, 1930-2000 daily English, all on 9465; 1600-1615 Uighur, 1615-1630 Osetin (Mo), Kazakh (Tu/We), Kyrgyz (Th/Fr), or Uzbek (Sa/Su) on 9495; 1900-1930 Hausa, 1930-2000 Yoruba, both on 9475 kHz. (WBI 1/22)

MARTINIQUE - Three weak FM xmtrs were heard in Montreal between 12/9 and 12/22 on 25710, 25900 and 26070 kHz. Programming was in FF with popular songs and humorous commercials. All three identify as "R. Neuve" and there is an occasional mention of Martinique. Best reception in Montreal is 1230-1600. (Alan Roberts, Montreal, on RNMN 12/24) [The fourth harmonics would be 102.84, 103.60 and 104.28 MHz. if they aren't studio-xmtr links. -mf]

MEXICO - XEQM Merida, tentative, on 6105.08, from 0600 SS announcements & pop music; very weak 12/27, but clear mention of Mexico. QRM from Radio Cancao Nova. XEQM not heard here for many years. (EB)

MOLDOVA - The *National Radio of Moldova* has been conducting text xmsns, seemingly via R. Romania International xmtrs. Observations during the first week of January included: 1900-1925 1/5 on 9620 in FF for France; 1935-2000 on 9620 for Spain. JM checked 1/6 and only heard Madrid on 9620. 0100-0155 on 9755 for Latin America, and from 0205-0230 on 7125 to North America. On Thurs 1/7 tests were scheduled from 1300-1325 on 15390 to France, and 1335-1400 on 15285 for Spain; the language was expected to be

Romanian. (Richard Measham, BBCM, on RNMN 1/7)

Further tests were announced for 1/21 & 1/22 at 1900-1925 in FF on 7125, 1935-2000 in SS on 9525 kHz. On 1/22 & 1/23 at 0205-0230 Romanian to the USA on 7125. (WBI 1/22) BBCM assumes the tests are from Romania. The info received from R. Moldova actually mentions Bucharest time, which seems a bit of a giveaway. (Andy Sennitt on RNMN 1/21)

NEPAL - (Gola Panter?) who works in Kathmandu, reports that the relays of the BBC over R. Nepal xmters have worked out well for the local population. But he notes that other organizations have not been successful getting air time. A Nepalese environmental group has applied to the government for an FM frequency allocation. But so far a lack of clear-cut policies on private broadcasting has hampered its efforts at getting a license. (RNMN 1/21)

NETHERLANDS - *R. Netherlands* has no plans to broadcast on 75m during the low half of the sunspot cycle; it has no 75m antennas or xmters at Flevo and would not consider modifications cost-effective. (RNMN 1/7)

RNI plans special QSLs for its relays via the CIS as soon as they get going. Foul weather held up the satellite link during much of January; the satellite antenna at R. Moscow had to be fine-tuned [in a country which is so cold in winter that double separate glass windows were widespread before the October Revolution.] (RNMN 1/21)

NEW ZEALAND - *R. New Zealand International* will make changes in its 9 MHz freqs during the winter season (which starts early in March). (Tony King on RNZI 1/21)

CQ Pacific, a DX pgm prepared by the New Zealand DX League and New Zealand Assn. of Radio Transmitters, aired at 0800-0830 Mon UTC, resumed 2/8 via Print Disabled Radio, Levin, 3935 kHz. (AC on RNZI 1/21)

OMAN - *BBC* on 11955, fade-up abruptly 0055, World Service, interesting daytime signals for Melbourne, 1/2. (BP)

Radio Oman new 7270 *0200 //6085 in AA. (Sarath Weerakoon WDXC Contact/ HJ)

PAPUA NEW GUINEA - *NBC* operated all night on 4890 kHz New Year's Eve and into New Year's Day, PNG days. This featured calls from listeners in various Provinces, with several Provincial Network stations linked. Included 3345, 3355, 3245 and 3375. Operation was from 1300 through to 2000, 12/31. 60 meters was teeming with all-night operations from various Asian stations for New Year's Eve in period 1700-2000, including India and Sri Lanka. (BP)

A QSL response from Radio Western Highlands, Mount Hagen (3375 kHz) indicates

that on 11/25 the xmt power was increased from 4 to the rated 10 kw. Reception reports are apparently wanted. (WOR via ODXA)

PERU - *R. Naylamp* 4109 v/s is Juan Jose Grandez Vargas, Director. (Play Dx via HJ)

R. Tingo Maria, 4759, noted on at late as 0345 in early Jan. (HJ) *R. Tarma*, 4775, v/s is Mario Monteverde-Pomereda. *R. La Hora* 4860 v/s is Edmundo Montesinos G. Gte. *R. Lircay* v/s is Valentin Mejia Vasques, Director. (All via Ekblom in DXA via DXSF via HJ)

Unid Peruvian 4541.3 slogan Super Estacion X* and X La Radio. Sports results with a team in Yurimaguas. Partial address heard: Jiron Mariscal Castill ... 4.. (Klemetz in Play Dx via HJ)

Station slogans: *R. Lider* 1-Nuestra Onda Corta Internacional Cubre Todo-El Peru 2-Sigue Marcando La Diferencia (5338v). *R. Chota* 1-Que Linda Radio (4890.3). *R. Huancabamba* 1-Pionera y primera 2-La radio que te acompaña (6281). *R. Sensacion* 1-Categoricamente superior (6895.2). *R. La Voz de la San Antonio* 1-Promoter de un autentico desar-rollo 2-medio de comunicacion para un pueblo incomunicado 3-un ejemplo vivo de compromiso y trabajo (6628.5). *R. Onda de Rio Mayo* 1-La poderosa 2-La frecuencia internacional de los exitos 3-La senal man positiva 4-la senal mas amena (6803.5v). *R. Nuevo Cajamarca* 1-La estacion de amistad en el Oriente peruano 2-5-800 3-RNC (5799.9). *R. Eco* 1-sintonia multiregional 2-la senal que no se apaga (5097.3) (Klemetz in Play Dx via HJ)

PHILIPPINES - *FEBC* is scheduled: 0000-0200 (-0230 Mo-Fr) English on 15450; 0000-0030 Shan on 15515; 0115-0130 Burmese, 0130-0145 Kuki/Meithei, 0145-0215 Sa/Su Indian languages, all on 15465; 0300-0500 Mandarin on 15095; 0500-0900 Mandarin on 12020; 0800-1030 Indonesian on 11995; 0900-1200 Mandarin on 9420; 0900-1100 English on 11690; 1000-1045 Amoy on 9850; 1015-1045 Indonesian (to Malaysia) on 15095, 1045-1115 Ache on 15095; 1045-1130 Swatow on 9850; 1100-1130 Hmong on 11690; 1115-1145 Viet on 9660 & 15095; 1145-1200 Viet on 9660; 1130-1330 Cantonese on 9850; 1130-1200 Laotian on 11690; 1145-1230 Burmese on 15095; 1200-1300 Cambodian on 11690; 1200-1400 Mandarin on 9820; 1400-1600 Mandarin on 9420 & 9820; 1200-1300 Viet on 9660; 1230-1400 Burmese on 15095; 1230-1400 Zhuang on 1458; 1300-1430 Cantonese on 1458; 1300-1600 English (news at 1330, 1430, 1530) on 11995; 1300-1330 Viet on 9660; 1330-1345 Burmese on 9660; 1330-1400 Zhuang on 9850; 1400-1430 Burmese on 15095; 2200-2400 Mandarin on 9420; 2200-2300 Indo on 9780; 2215-2230 Sa/Su Khmu on 9875; 2230-2315 Cambodian on 9495; 2230-2300 Laotian on 9875; 2300-2315 Sa/Su Akha on 11650; 2300-2330 Hmong on 9875; 2315-2330

Lahu on 11650; 2315-0015 Viet on 9495; 2330-0115 Burmese on 15465; 2330-2345 Wa on 11650; 2345-2400 Shan on 15515 kHz. (WBI 1/22)

R. Veritas Asia on new 11730 for morning service in Karen, 0005-0030*, not on usual 11790 this day, 12/30. (BP)

R. Blagovest via *R. Veritas Asia* 7265 from 2130 until 2226* with RR religious programs. (Timofeyev in Dec DSWCI via HJ)

PORTUGAL - *R. Portugal*, 9570, on special extended sked for New Year's Eve, PP to Americas, 0500-0530*, 1/1. (BP) Also on 9740 on extended sked for New Year's Eve, PP to Africa 2230-2330+, good signals, 12/31. (BP) And on new 9705 for PP to Europe 0600-0700, not on usual 11800. Frequency used until 0600 by Radio Liberty, listed as Gloria site. 1/1. (BP)

QATAR - *QBS*, on new 9715 kHz at 2137 in AA. (Krueger in DXSF via HJ)

RUSSIA - *R. Netherlands* continued negotiations with *R. Moscow* to get the best possible freqs for relays via Russia to begin 1/3/93. As of 12/23 the sked was: 0030-0130, 7305 kHz EE, 500 kw from Alma-Ata; 0130-0325 in EE, 12025 kHz from Alma Ata. 0930-1125 in EE to FE/SEAs; 7260 kHz is still scheduled but the 31m freq was not known; watch 9810 or 9860 kHz. The satellite links were still being installed 12/23; the first few weeks of January were to be a shakedown cruise. (JM on RNMN 12/24) The satellite link from Hilversum to Moscow had not been finished and checked out as of 1/6; completion was expected *1/11*. (JM on RNMN 1/7)

R. Galaxy advised a listener in Holland that it is only broadcasting 1900-2000 on 9880 kHz. (Marcel Roberts on RNMN 1/7)

Radio Aum Shinrikyo, sked from 1/1: English service using Radio Moscow World Service frequencies 0430-0500 on 585, 648, 7315, 9535, 11710, 11915, 11970, 12025, 13775, 15140, 15280, 15340, 15375, 15385, 15415, 15470, 15535, 15545, 15550, 15590, 17560, 17570, 17590, 17610, 17620, 17635, 17655, 17720, 17730, 17740, 17835, 17850, 17860, 17870, 17880, 21505, 21515, 21585, 21615, 21690, 21760, 21790, 21830. Also at 2030-2100 on 7315, 11685, 11915, 11985, 11995, 13725, 15130, 15170, 15190, 15525, 15560, 17655, 17710, 17740, 17795. Russian service for C.I.S. countries using Mayak frequencies: 1805-1830 & 1835-1900 on 198, 549, 576, 666, 720, 810, 1476, 4040, 4520, 4930, 5970, 6050, 6060, 6115, 6195, 6722, 7135, 7240, 7400, 9180, 11750, 11895. Addresses given are: 381-1 Hitoana, Fujinomiya, Shizuoka 418-01 Japan; and 3-8-11 Miyamae, Sugunami-ku, Tokyo 168, Japan. The 2nd address is only announced in their Japanese

program. (Radio Aum Shinrikyo & Aum Shinrikyo BBS [+81-3-5450-5580] Tetsuyo Kondo, ABI, Japan)

Radio Ala heard on 11685, from 0400 RR news & music; good 12/26, //12030 weaker; same station heard from 1500 on 7400, fair 12/26, //6015 weaker with QRM. (EB)

FEBC Russia, Khabarovsk, on 6035 at 1300 with Chinese religious programs till 12700 fade out. Still there 1/9. My unid in Jan LN. The answer was in the same LN, page 34. (EB)

Far Eastern Christian Broadcasting, Khabarovsk, 6035 kHz now has 57 varieties of its interval signal, "What a Friend We Have in Jesus": chimes, guitar, violin and piano, violin and guitar, etc. The IS is in two lengths, the first line of the hymn and the whole verse. The IS is the ID for practical purposes. The station does have an ID which sounds like "Ling tao sho ten kwang po tien tai," but it is rarely used. Programs do not begin and end on the exact quarter hour. The long IS is used as background music for announcements between programs. FEBC was, told two or three years ago -- according to a religious news broadcast on TWR Bonaire at the time -- that the Beijing regime regards its broadcasts to China as political in nature. Hence the evasive tactics. The Khabarovsk programs are notable for their economical format: two or three persons talking, one or two persons singing with piano accompaniment. This may reflect the cost of hand-delivering 40 hours of broadcast tapes each week in a country where parcel post packages are routinely stolen. (Mike Fern--CA)

R. Shark, Ufa, has moved from 5780 kHz to 6185 kHz NF where it reappeared in mid-December. (Klub DX Golos Rossii via Yoshinori Kato on RJMR 1/9)

The *Voice of America* began using xmtrs inside Russia the week of 1/11. A 1000 kw xmtr in Vladivostok on 648 kHz carries Korean and Special English programs. A shortwave xmtr at Irkutsk puts out several hours of CC for mainland China. (RNMN 1/14) Current VOA xmns via Russian transmitters are: 1300-1330 Korean on 648 kHz via Usseriysk, 1000 kw; 1330-1400 English on 648 kHz via Usseriysk, 1000 kw; 1400-1600 Mandarin on 5925 kHz via Novosibirsk, 200 kw; 1400-1500 Mandarin on 5945 kHz via Irkutsk, 1000 kw. (VOA Frequency Division BBS)

R. Netherlands' relays via the CIS were still awaiting completion of the satellite link on 1/13. (JM on RNMN 1/14)

Klub DX Golos Rossii was still very much alive at 0130 Thurs 1/14 on 17660 kHz. (Mike Fern--CA)

Radio Art ul. Tverskaya 29, str. 1, 103050 Moscow Programs in RR 0400-0700 on 11665 and 1500-1800 on 11700. (DX Moscow 23 via Play DX, via HJ)

New xmtrs in Perm (Ural region) operate at the following times: Radio 2 0200-1800 on 9670, 1800-2200 on 15420. Radio Rossii 0000-1600 on 5290, 1600-2200 on 11650. (DX Moscow 23 via Play DX, via HJ)

Radio Krasnoyarsk local program is at the following times: 2320-0000 Mon-Fri, 00-02 Sat, 0410-0530 Sat, 09-10 Sat, 1120-1200 Mon-Fri, 1210-1340 Mon, Tues, Wed, Fri (HJ, MD)

Radio Titan, Ufa is the station of the Body-Building Federation of the Russian Federation. Station has VOA and Radio Sweden pgms at times. 0800-0900 (10 Sat) on 5780. (BBCM/BDXC via Dec WDXC Contact, via HJ)

Radio Vostok 7210 *0700 w/IDs in RR/JJ/KK; RR pgms. (Aoi/Nov DSWCI via HJ)

Radio Unis, Moscow 4770 at 0140 new station with English id according to (Ritz in Nov DSWCI via HJ)

Radio Ala 3995 new frequency // 5040. (Jorgenson in Nov DSWCI via HJ)

RWANDA - **DW-Kigali** on 7225 with big signal in Swahili 0315, //9565. Neither outlet peaked simultaneously, suggesting differential propagation modes (or paths). Audible until past 0400, 1/3. And on 9565, long path signals, FF nx 0530, to 0550* 1/1. Also s/on 0300, excellent level with Swahili, audible till about 0430 in various languages, 1/3. (BP)

SENEGAL - **Dakar** on 7170 with fade-in (!) 0045, FF discussions and Afro tunes, to eventual 0100* after anthem. Bizarre reception, one of many Afr signals which were to become audible later in the day on 49/41/31 mbs, 1/2. (BP)

SEYCHELLES - **FEBA** on new 7215 in Indian langs 0045, language change at 0100 after tuning signal, audible to about 0210, 1/3. Also on 9770 with tuning signal at s/on 0200, Urdu, over and under co-channel Bamako relay of Beijing, 1/3. And on 11810 with solid signal in Swahili at opening at 0315, 12/31. (BP)

SINGAPORE - **SBC** fade in suddenly on 7165 at 2333, Indian songs, Tamil anncs, audible to about 2358 when disappeared, 1/2. (BP)

They said we couldn't make it! I refer to the Midday Asian Mode, which finally made it to Melbourne on 3 Dec...Singapore's Chinese service one of many signals, fade-up suddenly 0200 on 9635, right on local noon here, as predicted! Stayed there through the afternoon until eventual fade-out around 0515. Heavy fading, strong on peaks. 1/3. (BP)

SLOVAKIA - **Slovak Radio** External Service, with xmtrs in Slovakia and the Czech Republic, is scheduled: 0130-0200 in Slovak (repeat of

1900) to Am on 5930, 7345, 9580 kHz; 1400-1500 Slovak; to Eur on 6055, 7345 and 9505 kHz; 1900-1930 Slovak to Eur on 9505 and 9580 kHz. The station will begin broadcasts in EE, GG, RR and FF in the future. A broadcast for Slovak expatriates in Australia is due to start 2/1. The address is Slovak Radio External Service, 81290 Bratislava, Slovakia. (WBI 1/22)

SOUTH AFRICA - **BBC-Meyerton**, 6175; another daytime African. TS 0420, into PP 0430, good level, and this was the only 49 mb signal audible at 0430; //9515 which was much weaker. Propagation path unknown. 12/29. (BP)

Channell Africa, 7230. Strongest signal on 41mb at *0400, beginning PP, through to past 0430. Propagation path unknown, 12/29. Excellent level on 1/3 0400-0500. And s/on 0300 on 7270 in English, good level to 0400, 1/3. Also, 11800, superb signal 0330, FF to Africa, parallel 11815 also heard, 12/30. (BP)

SPAIN - Madrid on new 9540, SS 0645, //9650. Schedule appears to have been varied, with Costa Rica facility now integrated. Hard to determine whether Spain or Costa Rica xmtrs. And on new 15380 for SS 0435, strong level; //9620 & 9530 but about 1/2 second delay, suggesting Costa Rica xmtr, 12/31. (BP)

SRI LANKA - **TWR Sri Lanka** began broadcasting to India on 6035 kHz from 1330-1500 on Jan. 3. Got over 750 letters from tests on 49m in December, so plans to change to 5040 kHz were dropped. The mailing address is P.O. Box 364, Colombo. (TWR internal dispatch on Bonaire Wavelength 1/2) [In CA 6035 is dominated 1330-1600 by a very strong signal with Chinese programs and Western music, Pachelbel's Canon and "What a Friend We Have in Jesus," possibly FEBC Manila.--mf]

SLBC, 4870, with all-night svc for New Year's Eve, 1700-1900, with "Party" pgm, Sinhala, 12/31. On 4902 1700-2000+. QRming RRI-Surakarta 4900 from its s/on at 2000. Also, on 5020, all-night Tamil svc, 1800-2000, "Festival" px. QRming co-channel Niamey and Solomon Islands. 12/31. (BP)

ST. HELENA - Some DXers who heard the 1992 St. Helena Day broadcast are getting an extra bonus. One UK listener has received his QSL card and letter in an envelope with a stamp commemorating 25 years of broadcasting on St. Helena, and cancelled on 12/4/92, the first day of issue. (Phil Perkins, UK, on RNMN 1/7)

SUDAN - Omdurman on 7200, AA ID 1930, then nx, and in parallel with 9170 after 1930. No sign of 4994, reported in Media Network as "active", at least in 1800-2100 period, 12/30. And on 9170, strong level ending English segment 1859, with heavily accented presenter.

At 1900, continues in AA, different program from that on 7200. 12/30. (BP)

SURINAM - SRS, 4850, plans to return to the air. (Sewdien in SURICALL via DXSF via HJ)

SWAZILAND - In some 40 years of DX work, this rates as one of the best SW items! Carrier on 6020 at 0354, tuning signal for TWR-Swaziland 0356, EE ID announcing "Trans World Radio Swaziland", then into religious feature 0400 in African dialect. S/off 0415. Audible at 12.54 pm local in Melbourne, mid-summer, about seven hours after our local sunrise, and about ten hours before sunset! This, and the many other African signals audible during our midday, early afternoon period on 1/3 are generating a pattern to determine the propagation mode. More work needed! No doubt, this was my unid of 12/29 at 0410. Also on 9655, good level with African languages 0425, into English 0430, 12/29. Propagation via the "African Daytime Mode". Carrier on 9655 at 0340, tuning signal 0355, EE ID 0400 then into African language (listed as Chewa). Good signal, to past 0430, 1/3. This is one of the "easier" midday Africans, as compared with 49 and 41 mb outlets. And on 11740 with children's rel feature, EE, fading up 0500 with "Quiet Time", to 0530 with promotional notices for rel pgs, through to 0545. Co-channel with BBC Masirah AA service. Interestingly, BBC unheard when using the dipole favouring east-west propagation into Melbourne. However, when using the dipole favouring north-south propagation, no sign of Swaziland, only BBC Masirah. That suggests something about the propagation, I think! 1/2. (BP)

TWR v/s is Carol Tatlow. (Martin in DXA via DXSF via HJ)

SWEDEN - A reorganization of Sweden's home service brought changes to R. Sweden on 1/18. It will lose [as heard] an extra 30 min of EE and Swedish; EE to Europe remains at 2200 on 1179 MW, 6065, and 9655 kHz to EuAf, and 11955 kHz to SEAs and the Pacific. R. Sweden will add EE at 1830 to EuAf on 1179, 6065, and 9655 kHz, and to the E/E Afr on 15270 kHz and on satellite. (RNMN 1/7)

SYRIA - *Radio Damascus* is scheduled: 0000-0030 PP to Brazil on 12085, 15095; 0400-0600 AA (Voice of Iraq) on 9995; 1300-1400 Turkish on 9995; 1700-1900 AA (Voice of Iraq) on 9995; 1800-1800 RR, 1805-1905 GG, 1905-2005 FF, 2005-2105 EE to Europe, 2110-2210 EE to Austrl-Asia & America, 2215-2315 AA to America, 2315-2400 SS to Europe & America, all on 12085 & 15095 kHz. Although anncd, 15095 was not confirmed during the survey of this schedule. (WBI 1/22)

TAHITI - *RFO Tahiti* on 15175.3 kHz, from 1600 FF news, 1610 Tahitian music & talk; 1700 FF news & more music; fair signal 1/7, but low audio. (EB) *RFO Tahiti* once again been heard on 6135.27 //11827 in early January at 1030. (HJ)

TONGA - Tonga B/C Commission, 5030, is not sure when they will return to the air as a lightning strike has taken out the final tube. (Weatherley in DXSF via HJ)

TURKMENISTAN - *R. Turkmen*, Ashkabad, has moved to 5015 kHz, ex 4825, heard signing on at 0100. Very good reception in the UK. (Richard Measham, BBCM, on RNMN 1/7)

URUGUAY - *Radiodifusion Nacional SODRE* is using 6125 khz, 300 w, at 0900-0400 daily. On Sat and Sun the Radioactividades program is broadcast at 1400-1500. SODRE will also test on frequencies 9515, 11885, 15275 and 15350. Reports should be sent to Radioactividades address only as they are in charge of all correspondence and should also include return postage. Radioactividades-SODRE, Casilla 801, 11000-Montevideo, Uruguay. (Gabriel Ivan Barrera in Onda Corta via Play Dx via HJ)

U.S.A. - *VOA* on 6035 with EE to Afr, *0300. Audible until about 0430. Greenville listed. Botswana scheduled on 6090 but unheard there. This may be a long shot, but was/is 6035 Greenville at 0300-0400? Is Botswana currently running on 6090 at 0300? 1/3. (BP) Greenville has used 6035 at 0300-0700 for a long time. 6090 was used at Moepeng Hill at this time. [df] *VOA*-Greenville on new 9775 for FF 0615, ex 9585, 12/30. (BP) *VOA* heard on new 6005, from *0600 English news & music; good 12/12. Is this via RIAS or from a new site? (EB) *VOA* on new 6030 at *2200-2230* in GG, heard since 12/25, ex 11845; fair sig here, but very poor frequency for Germany, with SDR on 6030; also SRI in English from 2200 on 6030; still from Gloria, or another site? (EB) Now gone. [df] *VOA* heard on 7530, from 0400 English news & music, weak but clear 12/26. Is this a new frequency or a mixing product? (EB) Don't think it's scheduled. If heard again, a note to the Freq.Div. indicating whether // to EE to Africa or Europe would help them [well, okay, us] trace it's source. [df] *VOA* began broadcasts to Somalia in Somali 12/27 at 0245-0300 on 6155, 7265, 9575 and 9885 kHz. (RNMN 12/24)

At 2200 Wed 1/13 the *VOA* reactivated its 24H service to the Middle East, 13H in AA, 8 hours of worldwide EE, two hours of *VOA* Europe, and one hour of Kurdish. Principal freqs are 6160, 7195, 9530, and 11895 kHz. (RNMN 1/14) And reverted to normal sked a couple of weeks later. [df]

WEWN at good level on 13740 with Catholic religious feature, EE, 1905- 2000, not sure if on regular schedule. ID 1930. 12/31. (BP) A partial survey, since 12/28 reveals this schedule: 0700-0800 Albanian, 0800-0900 GG, 0900-1000 Dutch, all on 7465 kHz; 1500-1600 Dutch, 1600-1800 FF, both on 18930; 1800-2000 English on 13740; 2000-2200 FF on 7510; 2200-2300 GG on 5825 kHz. (WBI 1/8)

Regular programming from WEWN, Birmingham, suddenly ceased 1/4. On 12/28, one xmtr at 250 kw was switched on to Europe. The xmtr went silent 1/4 and won't return before the end of January or even mid-February. The xmtr appears to be generating spurious radiation which has caused severe interference to local government and police radio systems on 159 MHz. Lawsuits over interference to TV sets and telephones have also been filed by Birmingham-area residents and businesses. Until the problems are resolved by the xmtr manufacturer, the station will remain silent. It will be several months before the remaining three xmtrs are fully installed and running. (Tom Sundstrom and JM on RNMN 1/21)

The 1/8/93 National Catholic Reporter had an article on WEWN, built with \$20 million kicked in by Dutchman Piet Derksen. Says local residents are unhappy with station taking over an old logging road leading to the peak of Alabama's third-highest mountain, clearing the site, fencing it in with a security gate preventing public access to road, bringing a large utility into the area to build a substation, crossing private land, etc., and have sued EWTN and the Alabama Power Company. (Scott Edwards)

Glenn Hauser, host of *World of Radio*, may extend his broadcasts next month through listener-sponsored daily DX news bulletins, broadcast via R. Miami International. The DX Daily is aiming to be 15 min five nights a week alongside the weekly World of Radio program, now scheduled for Europe at 0800 Sun UTC on WWCR, 12160 kHz. (RNMN 1/21)

The sked for **KGEI**, Redwood City, CA, is: 0315-1400 SS on 9615; 2200-0315 SS, except 0205-0220 Mo GG and 2200-2230 Su English, all on 15280 kHz. (WBI 1/22)

The south [Latin American] antenna at **KCBI**, Dallas, is now taking shape. [University Network has contracted with the new owners of KCBI to carry Gene Scott's pgms to Latin America 24H.] (Gene Scott on Univ.Net 12/29) [KCBI still testing on 9815 kHz 12/29 with tone and excerpts of Dr. Scott's material.--mf]

VANUATU - *R.Vanuatu*, Vila, on 7260, rather strong 0535, national languages local songs, good level on peaks, interesting daytime signals, 12/29. (BP)

VENEZUELA - *Radio Rumbos* (see Jan LN) noted 1/10 at 0156 & 1/11 at 0135 on 4970 kHz, with f/g sigs. (Mary Jane Cole, Jasper, Texas)

VIETNAM - 3952 **Lai Chau** 1220 // 6430; 4668v **Son La** *1200 ex 4661, 4631; 4781v **Gia Lai** 1035-1159 **Pleilu** ex-Gia Lia-Kon Tum BS [Dave Valko pointed out to me that this one would count as South Vietnam according to NASWA country list. HJ]; 4820 **Ha Giang** 1205-1240 ex Ha Tuyen BS; 5061v **Kon Tum** *1044-1059*; 6136 **Hanoi Hmong Service** *1100-1355*; 6317v **Son La** 1205-1335 ex 6342; 6388v **Yen Bai** *1130-1230*, ex Hoang Lien Son BS, Not Lam Dong; 6430v **Lai Chau** 1205-1250; 6499v **Cao Bang** *1200-1356*, ex 6482 17 khz spurs both sides; 6654v **Bac Thai** *1153-1358, ex 6670, 6524 drifts up; 7287v Hanoi replaces 6449. (Foster in OZDX via SURICALL via DXSF, via HJ) 5588v Lao Cal ex 5600, 5570, ex Hoang Lien Son BS 1100-1216* (Martin/OZDX via SURICALL via DXSF, via HJ)

YEMEN - *Sanaa* dominant on 9780 12/28 (a shade down from 9780, possibly 9779.8), AA nx and ID 2100, Koran 2103, then s/off after anthem 2110. No sign of Abu Dhabi, listed for this freq in same general time period. (BP)

YUGOSLAVIA - Despite being threatened with closure for want of money, *R.Yugoslavia* was still active 1/13; best reception in Europe at 2200 on 9505 kHz. (JM on RNMN 1/14)

Sources: DXPL--DX Party Line, HCJB; JA--John Adams, DXPL; KMH--Ken MacHarg, DXPL; QLB--Quito Log Book, DXPL; SS--Sergei Sosedkin, DXPL; RMV--Rich McVicar, presenter, DXPL; LMV--Lisa (Mrs. Rich) McVicar, DXPL. RJMR--Radio Japan Media Roundup; BMM--Bruce MacGibbon, RJMR. RNMN--Radio Nederland Media Network; JM--Jonathan Marks, presenter, RNMN; VG--Victor Goonetilleke, RNMN; VS--Vasili Strelnikov, RNMN. RNZI--Radio New Zealand International Mailbox. AC--Arthur Cushen, DXPL, RNMN or RNZI. Above sources monitored by Mike Fern unless otherwise noted. RMWS--Radio Moscow World Service. DXA - DX Australia. DXSF - DX South Florida. FT -Fine Tuning. NU - Numero Uno. BP - Bob Padula, Australia. EB - Ernie Behr, Kenora, Ontario. HJ - Hans Johnson, MD.

Disclaimer: I work for VOA but don't represent them here. Happy Valentine's Day. Dan

QSL Reports

Sam Barlo
47 Prospect Place
Bristol, CT 06010



ALASKA: KNLS 7365 f/d "Map" cd. in 30 ds. for ms.(used). v/s Mike Osborne.(Colton-MA).
ALBANIA: Radio Tirana 9580 f/d cd. in 77 ds. after 3rd f/up rpt. v/s Diana Koci.(Lawrence)
ASIATIC RUSSIA: Radio Moscow 11995 via Petropavlovsk/Kam - chatsky f/d "Kremlin" cd. in 46 ds. w/ sticker.(Moore-KY).
* **Radio Irina** 15580 via Irkutsk f/d prepared cd. w/ ltr. in 16 ds. via the VA

- XEJ - via Behr

Sr. D. Ernest S. Behr, Kenora, Ont. CANADA

Muchas gracias por su informe de recepción. Tenemos el gusto de confirmar su control de nuestra emisión en 5,980 KHz. de fecha 6 Marzo de 1985. here 5 7 BORA DE MEXICO HMG.GMT.

Gracias y le saludamos muy cordialmente.
RADIO EXTERIOR DE MEXICO - XEJ - Onda Corta Acortando las distancias
Apartado Postal No. 82 Linces, Tdo. de Nuevo Leon Republica de Mexico

address. v/s Dao Thi Hoi.(D'Angelo-PA).
AUSTRALIA: Radio Australia VLG 7240 f/d ltr. w/ schedule and sticker in 40 ds.(D'Angelo-PA). 6020 via Shepparton f/d ltr. in 37 ds.(Humenyk-ONT). 11800 f/d ltr. w/ schedule and stickers in 33 ds.(Jones-OH).

BAHRAIN: Radio Bahrain 9746 p/d "Map" cd. in 26 ds. C/V #200! (D'Angelo-PA).

BELARUS: Radio Minsk 7420 f/d cd. in 3 mo. for 2 IRCs. Addr: ul. Krasnaya 4, 220807 Minsk.(Lob-

BELGIUM: BRTN 9930 f/d "Le Jugement de dell-MA). Cambyse" painting cd. in 60 ds. for 1 IRC.(Colton).

BOLIVIA: Radio La Cruz del Sur CP75 4875 f/d prepared cd. w/ n/d personal ltr. in 30 ds. for a SP rpt. and \$1.00. v/s Pr. Rodolfo Moya, Director.(D'Angelo-PA). ltr. w/ cd. in 6 wks. for a SP rpt. and \$1.00.(Sams).

Radio Santa Cruz 6135 f/d ltr. w/ pennant in 60 ds. for a SP rpt. and \$1.00. v/s Victor Blajot, Director.(Law-

BOINAIRE: Radio Netherlands 11835 f/d "Floral" rence-NY). cd. in 26 ds.(Humenyk-ONT). **Trans World Radio** 15355 f/d "Santa Maria" cd. in 40 ds. for a SP rpt. and 1 IRC. Also rcvd. calendar and sticker.Bickus-VA). 15345 f/d "The Pinta" cd. in 30 ds. v/s Sally Rork. (Humenyk-ONT)...Your editor received a very beautiful photo and greetings cd. from Chuck Roswell. Thanks Chuck. You and your wife Barbara must have a very interesting life on Bonaire...Sam.

BORNEO: RRI Samarinda 9615 f/d prepared cd. w/ p/d ltr. in IN in * 31 ds. for 1 IRC. v/s Drs. Supo Sunardi, Kepala.(Yamada-JPN).

BOTSWANA: VOA 7265 f/d cd. w/ a complete schedule. Much appreciated. (Dexter-WI)...Extremely pleased to hear from you...Sam. 11940 and

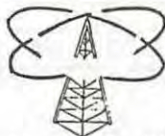
7265 cd. after 2nd try. v/s Dan Ferguson. (Field-MI).

BRASIL: Swiss Radio International 17730 via

Brasilia f/d "Birthday" cd. in 70 ds. for 1 IRC.

* (Martin-MI). **Radio Morimoto** 5025 f/d cd. in 2 mo. for a PT rpt. on my 5th try. v/s Joel B. Noguera. My 115th QSL from Brasil!(Field-MI). **Radio Aparecida** 9630 f/d cd. w/ pocket calendar in 1 1/2

إيسى نوا كشتوت
HUNA NOUAKCHOTTI! ICI NOUAKCHOTT
via Kria Field



الإذاعة الموريتانية

RADIO-MAURITANIE



via Krepp
RADIO 'KEKCHI'
La Voz Evangélica de las Casas
TGVC
4845 kHz
5 KW
Fray Bartolomé de las Casas
16015 Alta Verapaz
GUATEMALA
Radiodifusión Cristiana de Calidad



RADIO Satelite E.U.C.

JR. CUYERO No. 870
PRIV. SANTA CRUZ
CAJAMARCA - PERU

O.C. 48 MTR.

CERTIFICADO DE SINTONIA

La Empresa Unipersonal de Comunicaciones,
RADIO SATELITE Certifica que:

CHRISTOPHER R. LOBBEL

ha captado nuestra señal de transmisión en:

MASSACHUSETTS - U.S.A.

Santa Cruz, 16 de SETIEMBRE de 1991.



BABING LLAMÓ CHAZZ
PERU

for a PT rpt. and \$1.00. v/s Cassiano A. Macedo, DX Editor. (Clar).
Radio Ribeirao Preto 3205 f/d prepared cd. w/ ltr. in 17 ds. for a PT rpt. My \$ was returned! (D'Angelo-PA). * **Radio Oito de Setembro** 2490 prepared cd. w/ ltr. in 29 ds. for \$1.00. v/s Adonias Gomes. 250 watts! Addr: C.P. 39, CEP Pirassununga - SP, Brasil, 13630-970. Adonias collects postcards. Thanks to D'Angelo for the v/s. (Field-PA).
BULGARIA: Radio Sofia 11660 f/d cd. in 6 mo. for 1 IRC. (Anderson-MI).

NOTES: Marie Lamb sent along greetings to everyone and some very interesting notes regarding some of her recent QSL arrivals. Thanks for the letter. **Stephen Price** of 1351 Oliver Ave., Conemaugh, PA 15909 is having a great deal of trouble in QSLing Tunisia, Mauritania and Sierra Leone. He has tried several methods. Anyone got any ideas? The only thing I can suggest is to look for QSLs or articles regarding each of these stations (especially in the Journal), xerox them and send them to the station. They may appreciate the publicity... Sam. **Rev. Ed Poston** of Disciples of Christ Church in St. Charles, IA, says that the reception has been so bad lately that he has started to watch TV once again.... I thought you would have an inside tract to clear up any atmospheric... Sam. **Mark Anderson** in Prescott, MI says that his offerings to the postal gods has paid off during the past month with some excellent QSLs.... You and Ed should get tuned in to each other... Sam.

BULGARIA: Radio Sofia 11720 f/d cd. in 296 ds. w/ stickers and schedule. (Martin-CA). f/d cd. in 3 mo. for 1 IRC. (Colton-MA).

CANADA: Radio Japan 5960 via **RCI** f/d "New Years Kites" cd. w/ schedule and sticker in 62 ds. (Bickus-VA). **CFRX** 6070 f/d cd. w/ info. sheet in 9 ds. * for 2 IRCs. v/s Stephan Canney. (Martin-MI). **China Radio International** 11840 via **Sackville** f/d cd. w/ site in 19 ds. w/ schedule. v/s Miss Fu-guang. (Buer-FL). **CKZU** 6160 f/d cd. in 16 ds. for \$1.00. (Martin-CA).



CHINA, PEOPLES REP. OF: Radio Beijing 11715 f/d "Cotton Flannel Ornaments" cd. in 29 ds. w/ schedule and stickers. (Bickus-VA).

CIS: Radio Aum Shinrikyo 11980 f/d cd. in 2 wks. w/ schedule. (Field-MI).

CLANDESTINE: Democratic Voice of Burma cd. w/

B&W sketch of antenna at a fjord. v/s Maung

Maung Myint. Addr: P.O. Box 6720, St. Olavs Pass, 0130 Oslo. (Dexter).
COLOMBIA: Caracol Colombia 5075 prepared cd. in 34 ds. for \$1.00. After failing to QSL this station for 7 yrs, I finally reported the 7th game

MR. RICHARD A. D'ANGELO
2216 BURKE DRIVE
WYOMISSING, PA 19610
EE. UN. DE A. (U.S.A.)

of the 92 World Series. It worked! (Field-PA).
f/d cd. w/ stickers in 6 wks. for a SP rpt. and \$1.00. (Clar-NY).

COSTA RICA: Radio For Peace International 15030

f/d cd. w/ schedule and info. in 42 ds. (Jones-OH). **TIFC** 5055 f/d cd.

My estimado Sr. D'Angelo:

Recibí su atento reporte de fecha 3 de Octubre del presente año en el cual me dice que en Febrero de 1990 nos reportó la transmisión de la emisora X.E.Q.M. con los datos de todo lo que escuchó usted en esa fecha.

Me apenas decirle que su carta se me trajo papelo, pero al recibir este nuevo reporte nos pusimos a investigar y encontramos la que usted nos envió el 12 de Febrero de 1990, lo que agradecemos profundamente y le damos las gracias al haberlo informado sobre el alcance que tiene nuestra Radiodifusora X.E.Q.M.

Le estoy adjuntando algunas postales con paisajes de nuestra región, que se encuentra en el Sureste de la República Mexicana en la Península de Yucatán.

Nuestra Radiodifusora X.E.Q.M. ha estado fuera del aire algunos días por mantenimiento, pero a partir del 10. de Noviembre volverá a estar al aire.

Reciba mi agradecimiento más profundo y un saludo cordial de sus amigos de X.E.Q.M. de Mérida, Yucatán.

w/ stamps and a personal ltr. in 30 ds. for a SP rpt. and 1 IRC. v/s Juan Jacinto Ochoa F., Administrador. (Colton-MA). **Adventist World**

Radio 9725 and 5030 f/d cd. in 3 mo. Returned cd. and got it back w/ site marked as **Cahuita** (Berg-MA).

CYPRUS: BBC 21470 f/d cd. in 21 ds. direct from site. (Helm-KS). same in 34 ds. for \$1.00. Also rcvd. sticker. (Martin).

By Air Mail
Par Avion

TO Mr. George Clement
CONFIRMS RPT/CD ON
FREQ. 9740kHz
DATE 29th October 1992
TIME 1543 GMT
RPT. 44454
TX/RX MARCONI 100HW



30-SINGAPORE



MR. GEORGE CLEMENT
3603 LAULLIA DRIVE
POWDER SPRINGS GA 30073
U.S.A.

BBC Far Eastern Relay Station, Kranji, Singapore

ini Island" cd. w/ schedule in 46 ds. (Schwartz-NY). 9395 same cd. w/ postcard and schedule in 156 ds. This after 3 f/up rpts. (Helm-KS).
GUAM: KSDA 11980 f/d "Logo/Sticker" cd. in 41 ds. (Humenyk-ONT). **KTWR** 11805 f/d "Old Spanish Bridge" cd. in 11 wks. for \$1.00. Also rcvd. personal ltr. w/ schedule. v/s Beth Chick. (Moore-KY).
HONDURAS: La Voz de Mosquitia 4910.7 f/d prepared cd. in 10 ds. for a SP rpt. and \$1.00. v/s Sammy Simpson, Director. Also rcvd. ltr. and pennant. (Kohlbrener-PA).
HONG KONG: BBC 17830 f/d cd. in 202 ds. after 2 f/up rpts. v/s Philip Sandell. Addr: BBC East Asia Relay Co. Ltd., Tsang Tsui Broadcasting Station, Nim Wan, Yuen Long, New Territories, H.K. (Schwartz-NY).

HUNGARY: Radio Budapest 11910 f/d "Heviz" cd. in 40 ds. (Humenyk-ONT). f/d "National Costume of Ormansag" cd. in 1 mo. for 1 IRC. (Corlies-ONT). 11910 and 9835 f/d "Baranya Costumes" cd. in 52 ds. (Humenyk-ONT). **Radio France International** 15460 via **Diosd** f/d cd. in 22 ds. for a FR rpt. (Humenyk-ONT).
ICELAND: INBS 15770 blue "Lagoon" cd. in 34 ds. (Helm).
IRAN: VOIRI 9022 f/d cd. w/ schedule in 116 ds. for 2 IRCs. (Martin-MI).
ISRAEL: Kol Israel 7465 f/d cd. w/ schedule in 32 ds. (Bickus-VA).
ITALY: RAI 11800 and 9575 n/d "Stoppazzoni Nudes" cd. in 3 mo. (Lamb-NY). f/d "Fontanesi Shepherdess" cd. in 1 yr. (Lamb). 11800 f/d c d. in 178 ds. after 2 f/up rpts. (Helm-KS). in 3 mo. for 1 IRC. (Colton-MA). p/d cd. in 7 1/2 mo. (Klinedinst-PA). **IRRS** 7125 f/d cd. in 3 1/2 mo. for 2 IRCs. (Clar-NY). f/d cd. in 96 ds. for 2 IRCs. (Brouillette-IL).

VOICE OF FREEDOM

6433 Northannu Drive, Springfield, VA 22150, USA

October 1, 1992

10, Watanachi
Yamatokoriyama-city
Nara 639-11 JAPAN

Dear Mr Yamada:

The Voice of Freedom/Radio Irina confirms your reception of our radio program on 4 September 1992 from 1400 to 1500 UTC on 15880 kHz. Our signal is transmitted by a 500 kw directional transmitter located in Irkutsk, in Siberia. The transmitter beams the signal in an approximate 180 degree direction. Our programs are written and produced here in Moscow and the signal is relayed to our transmitter site. Our programs, intended for Vietnam, are broadcast every day from 1400-1500 UTC on 15880 kHz. Additional frequencies are planned for the future. We broadcast a program of democratic political programming, music, and news to the people of Vietnam. We attempt to do the same for Vietnam as Radio Free Europe and Radio Liberty do for Eastern Europe and the former USSR. Our staff is multinational, but the majority are Russian and Vietnamese. The Voice of Freedom is an independent organization, supported by a wide variety of private donations from individuals and non-governmental institutions. We have been broadcasting since 20 July 1992.

You have the great honor of being issued one of our first confirmation letters. We greatly appreciate your reception report. As a new radio station, we are highly interested in the quality and strength of our signals. As such, we actively encourage reception reports with as much detail as possible, especially from Asia. Any evidence of jamming or deliberate interference would be very important to us.

If you have any friends or colleagues who are shortwave listeners, please encourage them to send reception reports to us at the above address. If you know of any shortwave listeners in South-East Asia (such as Thailand, Singapore, Malaysia, etc.), we would be very interested in their reception reports. Reports can be written in Russian, English, or Vietnamese. International reply coupons are not very useful in Russia, so I am returning yours.

I have enclosed several newspaper articles about our radio station that you may find of interest. As a fellow short-wave listener and amateur radio operator (US call sign N5BZA), I wish you the best of luck in your monitoring.

Sincerely,

Daniel Kaseta
Assistant Director
The Voice of Freedom

FRENCH GUIANA: Radio France International 15200 via **Montsinery** f/d "Banks of the Seine" cd. w/ schedule in 1 mo. (Bickus-VA). **Radio Japan** 15325 f/d cd. w/ site in 35 ds. for 1 IRC. v/s Kunitoshi Hishikawa. (Martin-MI).
GABON: La Voix de la Renovation 4777 f/d folder in 1 mo. for a FR rpt. and \$1.00 (Price-PA). **Radio Japan** 11735 via **Moyabi** f/d "Sunset at Nara" cd. in 53 ds. for 1 IRC. (Martin-MI).
GALAPAGOS: La Voz de Galapagos 4810 n/d * ltr. in 6 wks. for a SP rpt. and \$1.00 v/s Victoria Espin H., Secretaria. (Sams)
GREECE: Voice of Greece 9425 f/d "Santorini" cd. in 46 ds. (Schwartz-NY). 9395 same cd. w/ postcard and schedule in 156 ds. This after 3 f/up rpts. (Helm-KS).
GUAM: KSDA 11980 f/d "Logo/Sticker" cd. in 41 ds. (Humenyk-ONT). **KTWR** 11805 f/d "Old Spanish Bridge" cd. in 11 wks. for \$1.00. Also rcvd. personal ltr. w/ schedule. v/s Beth Chick. (Moore-KY).
HONDURAS: La Voz de Mosquitia 4910.7 f/d prepared cd. in 10 ds. for a SP rpt. and \$1.00. v/s Sammy Simpson, Director. Also rcvd. ltr. and pennant. (Kohlbrener-PA).
HONG KONG: BBC 17830 f/d cd. in 202 ds. after 2 f/up rpts. v/s Philip Sandell. Addr: BBC East Asia Relay Co. Ltd., Tsang Tsui Broadcasting Station, Nim Wan, Yuen Long, New Territories, H.K. (Schwartz-NY).
HUNGARY: Radio Budapest 11910 f/d "Heviz" cd. in 40 ds. (Humenyk-ONT). f/d "National Costume of Ormansag" cd. in 1 mo. for 1 IRC. (Corlies-ONT). 11910 and 9835 f/d "Baranya Costumes" cd. in 52 ds. (Humenyk-ONT). **Radio France International** 15460 via **Diosd** f/d cd. in 22 ds. for a FR rpt. (Humenyk-ONT).
ICELAND: INBS 15770 blue "Lagoon" cd. in 34 ds. (Helm).
IRAN: VOIRI 9022 f/d cd. w/ schedule in 116 ds. for 2 IRCs. (Martin-MI).
ISRAEL: Kol Israel 7465 f/d cd. w/ schedule in 32 ds. (Bickus-VA).
ITALY: RAI 11800 and 9575 n/d "Stoppazzoni Nudes" cd. in 3 mo. (Lamb-NY). f/d "Fontanesi Shepherdess" cd. in 1 yr. (Lamb). 11800 f/d c d. in 178 ds. after 2 f/up rpts. (Helm-KS). in 3 mo. for 1 IRC. (Colton-MA). p/d cd. in 7 1/2 mo. (Klinedinst-PA). **IRRS** 7125 f/d cd. in 3 1/2 mo. for 2 IRCs. (Clar-NY). f/d cd. in 96 ds. for 2 IRCs. (Brouillette-IL).
KOREA, PEOPLES DEM. REP: Radio Pyongyang 9977 f/d "Rose" cd. in 67 ds. for \$1.00. (Blum-NY).
KOREA, REP. OF: Radio Korea 15575 f/d "Farmers Dance" cd. w/ schedule in 1 mo. (Humenyk-ONT).



Indonesia

Radio Pemerintah Daerah Tingkat Dua
- Blitar -

Ini membekukan laporan tua dari siaran pemancar kami pada gelombang 23,40 meter atau frekwensi 4087 kHz, pada 17 - April 1988 dari 20,48 sampai 21,05 waktu Indonesia Bagian Barat. Pemancar kami ada R.P.D.T. 2, dikuasai oleh pemerintah dari Jawa Barat.

Kuasa perantara transmisi dan kw. denger laporan



via
Kusalik

(Studio Capri)

KOREA, REP. OF: Radio Korea

9750 f/d cd. in 35 ds. for 1 IRC. (Corlies-ONT).

LATVIA: Radio Latvijas 5935

f/d cd. in 6 wks. for \$1.00 (Sams).

LEBANON: King of Hope Radio

6280 f/d cd. w/ brochure in 21 ds. for SASE. v/s David Laufer. (Klinck-NY). **Wings of Hope** 11530 f/d "World Map" cd. in 1 mo. for ms. (Carter-WA).

LUXEMBOURG: Radio Luxembourg

6090 f/d "Antenna" cd. in 17 ds. (Humenyk-ONT).

MALAGASY REP: Radio Nederland 11655 f/d "Floral" cd. w/ calendar in 26 ds. (Anderson-MI). same in 1 mo. w/ sticker and schedule. (Millard-TX). 15150 f/d "Arctic Gold Daffodils" cd. w/ calendar in 22 ds. (Moore-KY)
MALI REP: Radio Beijing f/d "Canal" cd. w/ newspaper and stickers in 30 ds. for 1 IRC. (Anderson-MI). (Colton-MA).
MONACO: Trans World Radio 9480 f/d "World Map" cd. in 18 ds. for 1 IRC.



radio veritas

OSL Card

February 14, 1992

Dear Mr. Jerry Klinck

Your reception report of our Mandarin Broadcast on 9.615 MHz in the 1600 mhz on December 5, 1990 from 1512 UTC to 1600 UTC has been verified against our log and found to be correct.

Thank you for your report. Please write again. We welcome more reports, comments and suggestions from you.

With best wishes and happy listening!

Sincerely yours,
Ms. CLYDE P. LANJINDAO

Audience Relations Officer

NIGERIA: Voice

of Nigeria

7255 f/d cd. in 378 ds. after 3 f/up rpts. (Helm).

NORTHERN IRELAND:

NIRS 6261 f/d

cd. w/ postcard in 3 1/2 wks. for \$1.00. v/s Andy Craig. (Sams).

NORWAY: Radio Norway International 11795 f/d "Glass Design" cd. in 27 ds. for 1 IRC. v/s Kristen R. Salon. (Corlies-ONT). 21705 f/d cd. in 30 ds. w/ schedule and sticker. (Humenyk-ONT)... Robert Christensen in Calgary informs us that the v/s name is Salomonsen. Correction noted. Thanks!
OMAN: BBC 15310 f/d "Map" cd. w/ personal ltr. in 35 ds. (Helm-KS). same in 36 ds. for 1 IRC. Personal note rcvd. from Dave Plater (G4MZY). Tnx to Rich D'Angelo for assistance. (Martin-MI).

Libertad

750 kHz G.M. 505 KHz G.C. 60 MHz
12 P.M. - 12:30 P.M.

PALAU: KHBH 9830 f/d cd. direct from site in 1 mo. v/s Ben Cabral. (Sams). f/d "Map" cd. in 64 ds. (Helm-KS).

PAPUA NEW GUINEA: NBC 4890 via **Port Moresby** f/d ltr. in 120 ds. v/s Iga Kila, Manager of the Karai Service.

PARAGUAY: Radio Nacional de Paraguay 9735 (Helm-KS).

f/d ltr. in 2 mo. for a SP rpt. and \$1.00. v/s Filemon Arguello M., Jefe del Dpto. de Recursos Humanos. (Sams)

PHILIPPINES: VOA 9770 f/d cd. in 2 mo. (Clar-NY).

POLAND: Radio Polonia 9525 f/d cd. w/ schedule and a personal ltr. in 37 ds. (Schwartz-NY).

PORTUGAL: Radio Canada In-

*** ternational** 15325 via

Sines f/d cd. in 16 ds.

w/ schedule. (Humenyk-ONT).

RIO MUNI: Radio Africa 5004

f/d cd. in 72 ds. (Lawrence-NY).

ROMANIA: Radio Bucharest

6155, 9750 and 11940 f/d

cds. in 3 mo. w/ schedule

(Humenyk-ONT). 11830 f/d

"Folk Costume of County

Hunedoara" cd. in 52 ds.

for 1 IRC and \$1.00. (Bro-

uliette-IL).

Señor
Richard A. D'Angelo
2216 Hurley Drive
Wyomissing, PA 19610
U.S.A.

Estimado Richard:

Ante todo queremos agradecerle la gentileza que tuviste al escribirnos para comunicarnos que escuchaste esta radioemisor.

Es muy reconfortante para nosotros, saber que al muy poco tiempo de salir oficialmente al aire, podemos contar con Super Oyentes como tú; este hecho nos impulsa a continuar en la hermosa tarea de COMUNICAR y ENTRETENER. ¡Gracias!

Como sabes, Bolivia, es un hermoso país, contamos con clima muy variable, hermosos paisajes y linda gente. Ojala Dios quiera que puedas venir muy pronto; si así fuera, visitarnos.

Confirmamos que ahora, Radio Libertad se encuentra en la frecuencia 5005 KHz, que antes pertenecía a Radio Cristal, esta última nos vendió la frecuencia a mediados del mes de Mayo 91, habiendo nosotros inaugurado oficialmente RADIO LIBERTAD el 15 de Julio con un Cocktail donde estuvieron 200 personas más invitados especiales a nivel de Ministros, Sub Secretarios, y Diplomáticos de muchos países. Actualmente trabajamos en LIBERTAD, 52 personas entre apolíticos, administrativos y técnicos. Por lo tanto el informe de recepción que nos hiciste llegar del día 31 de Julio es correcto.

Dentro de los planes de la radio está el de aumentar la potencia para que ustedes, nuestros amigos, puedan disfrutar con mayor calidad de nuestra señal. Sin embargo me permito sugerir que nos escuches a partir de las 11:00 a.m. (hora local) para apreciar nuestra música folklórica. La principal característica de Radio "Libertad" es contar con MÚSICA Y NOTICIAS.

Dá un saludo afectuoso a todos tus amigos, pero especialmente enviamos para ti, Susan, Adam y Jennifer, un caluroso abrazo.

ROMANIA: Radio Bucharest 11830 and 11940 kvcd

3 different cds. in @ 135 ds. (Humenyk).
f/d cd. in 54 ds. for 1 IRC. (Colton-MA)

RUSSIA: Radio Pamyat 12030 via **Ekaterinburg**

* f/d cd. w/ ltr. in 3 mo. Also rcvcd. calendar and schedule. (Field-MI). **Adventist World Radio** 11855 via **Novosibirsk** cd. w/ ltr., rpt. form and station info. (Dexter) **Radio Aum Shinrikyo** 7180 p/d cd. in 1 mo. for \$1.00. (Kohlbrener-PA). attractive cd. w/ other literature. (Dexter-WI).

SAIPAN: KHBI 17555 f/d "Antenna Array" cd. in 6 mo. for \$1.00. (Colton-MA).

KBBS 11665 f/d cd. in 38 ds. w/ personal ltr. and schedule. (Humenyk-ONT)

SARAWAK: Radio TV Malaysia 7160 via **Kuching** f/d "Broadcasting House" cd. in 1 mo. for \$1.00. (Millard-TX).

SAUDI ARABIA: BSKSA 11685 f/d cd. w/ sticker in 54 ds. (Jones-OH).

SEYCHELLES: BBC 17885 f/d ltr. in 24 ds. v/s Peter Lee, Resident Engineer. (Helm-KS).

SINGAPORE: BBC 9740 f/d cd. in 15 ds. for \$1.00. Nice to hear from you

Kevin Murray, 19790 Suncrest Drive, West Linn, Oregon 97068, U.S.A. George...Sam. (Clement-GA). f/d cd. in 19 ds. (Helm-KS). 17790 f/d cd. in 26 ds. for 2 IRCs. (Wilkins-KOR).

SUBJECT: RECEPTION REPORT - RADIO WEST NEW BRITAIN.

We write to acknowledge receipt of your Reception Report dated 27th April, 1992 and to also confirm that the Station you heard was Radio West New Britain.

Radio West New Britain is located at Kimbe on the Island of New Britain in Papua New Guinea and Broadcasting on the frequency of 3235KHz on the 90 metre Short Wave Band with the power of 10 Kilowatts Transmitter.

Thank you for listening to our Radio Station and your report encouraged us to do our best in the future for the benefit of our listeners both within our Country and World wide.

We apologize for not actioning your Reception Report as early as expected but do believe that you are now happy to have received from us.

Thank you and happy listening.

Yours Sincerely,

Estia Heel
Estia Heel
PROVINCIAL PROGRAM MANAGER - RWNB.

Mr. Afaf, Director General. (Moore-KY). 15095 cd. w/ pennant in 65 ds. for 1 IRC. (Anderson-MI). 12085 f/d "Logo" cd. w/ flag and sticker in 185 ds. (Schwartz-NY). same in 4 mo. for 1 IRC. (Colton-MA).

TAIWAN: Voice of Free China 15345 f/d "Art Work" cd. w/ sticker in 17 ds. for 1 IRC. (Colton-MA). **Voice of Asia** 7445 f/d "Singapore City Hall" cd. w/ sticker in 38 ds. for 1 IRC. (Colton-MA).

THAILAND: Radio Thailand HSK9 4830 and 9655 f/d "Khon" cd. in 4½ mo. for \$1.00. Pennant and schedule were rcvcd. (Palmerheim-WA).



To: Chris Lobdell

This is confirming your reception report of November 1, 1992 at 0207 UTC on a frequency 7.405 in the 41 meter band.

During this broadcast we were operating at a power of 1000 watts into a 6X1 Curtain Array antenna.

Thank you for your report!

73's

Blackbeard



SLOVAKIA: Radio Praha 5930

via **Rimavska Sobota** f/d cd. w/ schedule in 23 ds. for 1 IRC. (Kohlbrener-PA).

SUMATRA: RRI Tanjung Pinang

3225 f/d ltr. in EG in 35 ds. for an IN rpt. and 1 IRC. v/s M. Yazid, Head of Station. (Yamada-JPN).

SWAZILAND: Trans World Radio

9655 f/d cd. w/ sticker in 27 ds. (Helm-KS). same in 58 ds. v/s Carol Tatlow. (Humenyk-ONT).

SWITZERLAND: Swiss Radio International

9650 f/d "View from the Landenberg" cd. w/ schedule in 41 ds. (Moore-KY). 9650, 9885 and 12035 f/d "Thurgau" cd. w/ schedule in 108 ds.

SYRIA: Radio Damascus 12085 and 15095 (Schwartz). f/d "Map/Globe" cd. via registered mail in 242 ds. Paper flag and newspaper were rcvcd. v/s

TURKEY: Voice of Turkey

9445 f/d cd. w/ schedule, sticker and personal ltr. in 26 ds. (Jones-OH). cd. w/ sticker and sked. in 19 ds. (Bickus-VA).

Thank you very much for your reception report of Skelton (U.K.) relay broadcast of Radio Japan.

The information given is in accordance with our schedule.

We hope you will continue to enjoy our programmes and send us your thoughts about them.

イギリス・スウェーデンに於いての受信情報ありがとうございます。内容はラジオ日本の放送と合致しております。これからも御用へのご感想をお寄せ下さい。

RADIO JAPAN
NHK TOKYO 150⁰¹. JAPAN

Dear Mr. Richard A. D'Angelo

We are pleased to confirm that the station you heard is Radio Japan. The details are as follows:

DATE: 25 July 1992
TIME: 15.00 to 05.20 (UTC)
FREQUENCY: 9770 kHz (B)
TRANSMITTER SITE: SKELTON, U.K.
QIP POWER: 250 W
ANTENNA DIR: 274
SERVICE: General Service in English
Thank you for contacting us and for looking forward to hearing from you in the future.
We wish you very good reception conditions.

Kenneth K. Hishikami
K. Hishikami

UKRAINE: Radio Ukraine International f/d "Portrait of a Woman" cd. in 4 mo. for 1 IRC. (Colton-MA). 12000 f/d "Church Interior" cd. in 141 ds. for 1 IRC. Also rcvd. schedule. (Moore-KY). 11790 f/d "Painting" cd. w/ schedule and calendar in 127 ds. (Schwartz-NY). 12040 f/d cd. in 4 mo. for 1 IRC. (Anderson-MI). 11950 and 17605 f/d cd. w/ sticker in 3 mo. (Field-MI).

USA: KTBN 7510 f/d cd. in 4 mo. for \$1.00. (Hosmer-MI).

- * **WFLA** 25870 cd. w/ station brochure. v/s Wilson Welch, Chief Engineer. Station says that this freq. is used to cue their two traffic planes. 100 watts. Call is **KPM360** (Dexter-WI). p/d "Logo" cd. w/ station info. in 3 wks. for ms. (Clar-NY). same in 14 ds. for ms. (Palmerheim-WA).
- * **Brigade 2506** and **Radio 16 Desanm** rcvd. **Radio Miami International** cds. via Jeff White. (Dexter-WI). **KJES** 11715 f/d prepared cd. in 2 wks. for \$1.00. v/s Michael Reuter, Manager. (Kohlbrener-PA). **WMLK** 9465 f/d cd. w/ form ltr. in 45 ds. v/s Elder Jacob O. Meyer. (Fahrer-NY). **KGEE International** 15280 f/d cd. in 26 ds. after a f/up rpt. (Helm-KS). **Radio New York International** 7435 f/d cd. in 10 ds. for SASE and \$1.00. (Martin-MI).

Verification Card

Station RUHMAN BROADCASTING SERVICE

For Steven R. Lare

Thank you for your reception report. We are pleased to verify your reception of our transmission on 19 December '89 from 1240-1306 hours GMT on 5023.1 kHz. with a power of 10 watts.

r. [Signature]

- KVOH** 17775 f/d cd. in 32 ds. for ms. (Martin-MI). **WRNO** 7355 f/d QSL sheet in 28 ds. for ms. (Martin-MI). **WHRI** 15105 f/d cd. in 4 mo. for ms. (Martin-MI). 7315 f/d cd. in 2 mo. for 1 IRC. Schedule was rcvd. v/s Loren Holycross. (Corlies-ONT). **Voice of Free China** 5950 via **WYFR** f/d "Artwork" cd. w/ sticker in 21 ds. (Bickus-VA). **Signals** 7435 via **WWCR** f/d "Globe" cd. in 10 wks. (Field-MI). **WJRC** 7490 f/d cd. w/ sticker in 10 ds. (Helm-KS).
- VIETNAM: Voice of Vietnam** 15010 f/d cd. w/ pennant in 103 ds. (Helm-KS). f/d cd. w/ schedule in 4 mo. for 1 IRC. (Martin-MI).
- YUGOSLAVIA: Radio Yugoslavia** 11865 f/d cd. in 54 ds. for 1 IRC. and \$1.00. Also rcvd. a small blue and white pennant. (Brouillette-IL). 11870 f/d "Danube Fest" cd. in 73 ds. for 1 IRC. (Anderson-MI). same in 145 ds. for 1 IRC. (Colton-MA). f/d cd. w/ site as **Bjelina** in 2 mo. after a f/up rpt. (Berg-MA). 11877 f/d cd. w/ ltr. and schedule in 84 ds. for \$1.00. (Lawrence-NY).

ZAIRE: OZRT Kinshasa 15245 f/d ltr. in 2 mo. * for a FR rpt. and \$1.00. This was after a f/up rpt. for an 87 reception. v/s Faustin Mbula, Ingenieur Technicien. (Sams).



Antoni Tortolero Pastora editore

Dear Listener,
Thank you for your reception reports for the month of February, '92. We gladly confirm that programmes were broadcast at 01:00 UTC on either 9.575 or 11.800 kHz.

Yours sincerely,

That's it for this month. Hope you all enjoy reading the QSL Column. Best of QSLing....

Sam

Contributors' Page

Vernon Hyson
5410 Camp Stewart Road
Charlotte, NC 28215
CompuServe 76516,1531



LOGGINGS CONTRIBUTORS - FEBRUARY 1993 - DEADLINE 10th of MONTH

The following members contributed loggings:

Brian ALEXANDER, Mechanicsburg, PA	NRD525 various Longwires
Guy ATKINS, Bonney Lake, WA	R8 R390A Satellite 90m T2FD Mini-Beverage
Jerry BERG, Lexington, MA	R8 HQ180A R390A 150' Longwire
Juhanna BICKUS, Herndon, VA	ATS803A Transoceanic
Jim CLAR, Rochester, NY	R8 Grundig Satellite Eavesdropper 110' LW
David CLARK, Newmarket, ONT	R8 2-R7 HQ180C R8 Many, many antenni
Richard D'ANGELO, Wyomissing, PA	R8 AD Sloper Farley Loop
William DAVENPORT, Nashville, TN	DX308 ICF7601 AN-1
Gerry DEXTER, Lake Geneva, WI	NRD535
Ardie DURDEN, Albany, GA	NRD515 SE3 Inverted V
Harold FRODGE, Midland, MI	R71A DX302 AP4 Trap Dipole 185'/100' Random
James GALGANO, Seneca Falls, NY	Grundig Satellite
Michael HARDESTER, Jacksonville, NC	R70 Sony 2010 25' Random RWest Loop
Hans JOHNSON, Columbia, MD	R8 AD Sloper 50' Longwire
Anthony JONES, Memphis, TN	
Richard JONES, Dayton, OH	Sony 2010
Rufus JORDAN, Pittsburgh, PA	DX302 Transoceanic 33' LW
W. KARCHESKI, Holden, MA	R5000 AD Sloper
Jerry KLINCK, West Seneca, NY	R8 R5000 HQ180A Sony 2010 350' Mini Bev 80' LW
Marie LAMB, Brewerton, NY	R600 MFJ16010 20m/90m LW
Ernest LAWRENCE, Perry, NY	NRD525 DX440 70' LW
Harold LEVISON, Philadelphia, PA	R8 R70 D2999
John LYON, White Bear Lake, MN	TS940S ATS803A MFJ949D 80/10m Dipoles
Greg MARTIN, Fruitport, MI	Sony 2010 Longwire
Don MOORE, Davenport, IA	R5000 Sony 2010 FRG7 ICF7608D
Kevin MURRAY, West Linn, OR	R8 Eavesdropper
E. NEWBURY, Gordon, NE	R8 R5000 70' Windom 66' Dipole
Tony ORR, Reston, VA	R70 Sony 2010 MFJ16010 75' LW
Rev. Ed POSTON, St. Charles, IA	R8 Indoor Random Wire
Ed RAUSCH, Cedar Grove, NJ	R5000 Sony 2010 MFJ959 Eavesdropper 150' LW
Chuck RIPPEL, Virginia Beach, VA	HQ180A R390A FT1000 130' Dip Sloper Inv Vee
Doug ROBERTSON, Oxnard, CA	DX302 FRG8800 FRA7700 Longwire
Giovanni SERRA, Rome, ITALY	NRD525 AD Sloper
Todd SMITH, Norwalk, CT	SW60
Tom TABATOWSKI, Indianapolis, IN	Sony 2010 MFJ956 70' Dipole
Robert TUCKER, Savannah, GA	ATS803A
Dan UNRUH, Ellensburg, WA	R71A S107 Random Wire
Dave VALKO, Dunlo, PA	NRD525
Andrew WALLACE, Lowell, MA	R71A 40' Indoor
Dave WEINRICH, Fargo, ND	FRG7 AT803A Tun4 Random Wire
Mike WESTDAL, Sacramento, CA	R8 Sony 2010 AN1 Eavesdropper
Mike WOLFSON, Ashland, OH	NRD535 Sony 2010 125' Longwire
Juichi YAMADA, Nara, JAPAN	NRD525 10m long Dipole

Guy Atkins listened from Midway Beach, WA with a 950' unterminated Beverage at 260 degrees. His medium wave logs would make any of us turn green with envy! Harold Frodger logs from MI1 are Midland, MI and MI2 are from Brighton, MI.

It looks like another good year of sharing quality logs! Hopefully, the ionosphere and the sun will lean toward good listening conditions for most of the year. I now have a database with 240 listeners who have shared their logs, and still have room for more, so keep 'em coming. Thanks and,

Enjoyable listening & good DX -

Tropical Band Loggings

Sheryl Paszkiewicz
1015 Green Street
Manitowoc, WI 54220



- 1620 AUSTRALIA unid 12/31 1055 accented EG (Moore-IA) RPH 12/31
1235 watery audio, wx rpt (Clark-ON)
- 2060h ECUADOR Francisco de Orellana 12/30 0128 trop mx, ID (Moore)
- 2100h GUATEMALA LV de los Cuchumatanes 12/29 1215 rel, IDs (Moore)
- 2310 AUSTRALIA VL8A 12/9 0924 //2325 nx, ID, pops (Orr-VA)
12/5 1043 oldies Million Sellers (Frodge-MI2) 1/2 1220
mx variety pgm (Rippel-VA) 1/3 1514 C&W mx (Atkins-WA)
- 2325p AUSTRALIA VL8T 1/2 1230 w/US pops, vy poor (Rippel-VA)
- 2340 CHINA Fujian 1/3 1516 EG lesson, good sig (Atkins-WA)
- 2410 NEW GUINEA R Enga 1/3 0830 ID, sing-sing //1494 (Atkins-WA)
12/21 1224 w/Boney M, C&W, TC, ID in EG (Clark-ON)
- 2485 AUSTRALIA VL8K 12/15 1158 wx, mx, IDs, p-f (Robertson-CA)
- 2764.4 INDO unid 1/3 1525 gamelan, ment Indo, amatir? (Atkins-WA)
- 2814.6 INDO unid 1/3 1535 Indo pops, anmts, wobbly audio (Atkins)
- 3020h ECUADOR unid 12/30 1114 HC mx, good morn anmts (Moore-IA)
- 3200 SWAZILAND TWR 12/3 *0257 IS, ID, rel in lang (Alexander-PA)
12/10 0258 IS, ID, hymn (Klinck-NY)
- 3200.4 BOLIVIA Nueve de Abril 12/31 0040 flutes, ID, instl (Clark)
- 3204.4 JAVA Bandung 1120 & 2232 pops, weak (Clark, Orr)
- 3205 INDIA Lucknow 0105, 1255 good subcont mx, nx (Clark-ON)
- 3220 ECUADOR HGJB 12/6 1003 cntry & mx //6080 (Wolfson-OH)
- 3220 NEW GUINEA Morobe 12/28 1134 mx variety, ID (Rippel-VA)
- 3222.1 TOGO R Kara 12/11 to 2303* vcls, ID 2300, nx (D'Angelo-PA)
- 3222.9 SUNDAS Mataram 1/3 2152 mx, SCI, nx 2205 fade (Clark-ON)
- 3224.8 SUMATRA Tanjung Pinang 1132, 2232 nx, Islam (Yamada, Clark)
- 3231.9 SUMATRA Bukittinggi 1/3 1603 Jak nx //4753 (Atkins-WA)
12/21 2203 nx //3395, 4003 (Johnson-ID)
- 3235 BRAZIL Clube Marilia 12/6 2318 ID, call, CH mx! (Durdan-GA)
- 3235 NEW BRITAIN RWNB 12/12 1135 island vcls, TC, ID (D'Angelo-PA)
12/24 1245 Xmas church svc //others past 1300 (Clark-ON)
- 3240 SWAZILAND TWR 12/3 *0257 IS, ID, rel pgm, weak (Alexander-PA)
- 3250 HONDURAS Luz y Vida 11/28 1140 morn pgm, prayer (Durdan-GA)
- 3255 INDIA Shillong 1207, 1604 subcont mx, jazz, EG anmts
(Orr, Clark, Atkins)
- 3255 LESOTHO BBC 12/28 0305 EG nx, sports (Lamb-NY) 1/19, 0330
WS for Africa //6005 (Tabatowski-OH)
- 3264.9 SUMATRA Bengkulu 12/30 2203 lcl pgm, great sig (Clark-ON)
- 3266.4 SULAWESI Gorontalo 1111, 2145 tlks, ID, mx (Orr, Clark)
- 3270 NAMIBIA NBC 0400 rel in lang, 0500 ID (Wallace, Alexander)
- 3277 KASHMIR R Kashmir 0210 & 1231 subcont mx, EG nx, Koran
(Johnson, Clark)
- 3289.9 ECUADOR R Centro 12/18 1042 ID, TC, econ discuss (D'Angelo)
- 3289.9 NAMIBIA NBC 1/3 0410 gospel mx, EG anmts, ute QRM (Alexander)
- 3290 PAPUA R Central 12/28 1105 island mx, fair (Rippel-VA)
- 3300 GUATEMALA TGNA 1/5 0325 Back to the Bible, ID (Poston-IA)
- 3306 TIMOR Dili to 1555* & 2127 pops, nx, anmts (Yamada, Clark)
- 3315 ADM ISL Manus 12/15 1025 tlk pgm, pops, ID (Robertson-CA)
- 3315.1 INDIA Bhopal 12/21 0045 tlks, poor-fair (Clark-ON)
- 3316 SIERRA LEONE SLBS 2228-0001* on late spirituals, ID,
Frosty the Snowman (Johnson, Durdan, Valko)
- 3318 SIERRA LEONE SLBS 12/25 2203 nx, ID, BBC play (Durdan-GA)
- 3324.9 KALIMANTAN Palangkaraya 1319 & 2159 ID, pops, drama, SCI
(Yamada, Clark)
- 3325 GUATEMALA R Maya 1/19 1130 ID, lcl mx (Tabatowski-OH)
- 3334.9 TAIWAN CES-5 12/31 2145 CH dialect, fanfare, also 1/1
2135 nx, Oriental mx (Clark-ON)
- 3335 SWAZILAND TWR 12/13 *0300 IS, ID, rel in lang (Alexander-PA)
- 3339.9 PERU R Altura 1/12 1040 echo anmts, ID (Orr-VA)
- 3345 INDIA Jaipur 1/4 0050 subcont mx, tlk, weak (Clark-ON)
- 3345 MOLUCCAS Ternate 12/3 to 1358* pops, Love Ambon (Yamada-JAPAN)

- 3345 NEW GUINEA R Northern tent 0830, poss ID, choral mixing w/Ternate (Murray-OR) 12/24 1246 Xmas & 1cl mx (Klinck-NY)
- 3355 INDIA Kurseong pres 1/3 1135 Hindi film mx, subcont mx ute QRM (Orr-VA) 12/13 1227 //4860 TP, nx (D'Angelo-PA)
- 3356 BOTSWANA RB 1/3 0406 EG rel, Afr. choral, fair (Alexander)
- 3365 UNID 12/9 2148 constant clock ticking, SP? tlk (Levison-PA)
- 3375t BRAZIL RN Sao Gabriel 1/4 1008 freq, campo mx (Orr-VA)
- 3375E INDIA Guwahati 1/3 1217 subcont vcls (Orr-VA)
- 3375.6 SULAWESI Medan 12/31 2250 //3904.8, 15154.5 (Clark-ON)
- 3380 GUATEMALA R Chortis 1/19 0300 ID, mx, good (Tabatowski-OH)
- 3380.8t MALAWI HBC 1/3 1635 accented EG, faint, but other Africans hrd at this time (Atkins-WA)
- 3384 RUSSIA USB 0250, 0600 RWMS pgm //5925 0400, 12010, 9470 at 0500 but not 0300 (Wallace, Berg)
- 3385 SAHAWAK RTM Miri 12/29 2158 mx, nx, Koran (Clark-ON)
- 3395 ECUADOR R Catolica 12/5 1014 Andean mx, ID, fair (Frodge-MI2)
- 3395 NEW GUINEA R Eastern Highlands 12/7 1209 island mx, ID (D'Angelo-PA) 12/24 1238 ID, Xmas mx (Klinck-NY)
- 3395.1 SULAWESI Tanjungkarang 12/20 2212 strong mx, ID (Clark-ON)
- 3444.9 KALIMANTAN Pontianek 12/20 2159 SCI, bad xmtr (Clark-ON)
- *3664.4p AZAD KASHMIR Muzaffarabad 12/19 1240 tlk, mx, also 12/23 1246 subcont mx, tlks. 1/2 Media Netwk confirms this is back on this freq. (Clark-ON) This is the real Azad Kashmir, folks, not the Pakistan relay--sp.
- 3870 BOUGAINVILLE R Free B, 1115 tent vcls, YL tlk (Clark-ON)
- 3904.8 SULAWESI Banda Aceh 12/30 2305 punchy audio, natl pgm (Clark)
- 3905 INDIA Kingsway 12/4 1606 funny conversation, ment India (Serra)
- 3905 NEW IRELAND RNI 1/2 1255 island mx, tlk in lang (Rippel-VA)
- 3985 SWITZERLAND China R relay 1/10 2255* IT tlk, ID (Lamb-NY)
- 4012 PERU R Frecuencia Pop 12/30 1045 huaynos, ID, ads (Moore-IA)
- 4040 RUSSIA RM 3rd pgm 12/15 1135 RS folk, cmtry, ID (Robertson)
- 4065 CLAUD Vo Iranian Kurdistan 12/2 0327 IDs, mx, jammed (Johnson)
- 4085nf CLAUD Vo People of Kurdistan 12/4 0352 ID, Koran, nx (Johnson)
- 4460 PERU Norandina 1/1 0616 non-stop huaynos, good (Moore-IA)
- 4472 BOLIVIA Movima 1/3 2258 nx, ID, piano mx, Lone Ranger (Clark)
- 4485 PERU LV de Celendin 1/11 1050 IDs, morn pgm, folk mx (Durden) 1/12 1051 huaynos, ads, ID, fair (Orr-VA)
- 4501 CHINA Xinjiang 1/4 1046 CH & pops, TP, ID (Orr-VA) 12/4 to 1649* tlk, mx, anmts //3960 (Serra-ITALY)
- 4501.1 PERU R Horizonte 12/26 1042 flutes, sev IDs, fair (Hardester)
- 4505 PERU R Horizonte 12/9 0849 flutes, canned IDs, echo anmts TC, ads (Orr-VA) 1/18 ID 1100, mx (Tabatowski-OH)
- 4530.2 BOLIVIA R Hitachi 12/26 1005 tlks, ID 1009 (Johnson-MD)
- 4553 BOLIVIA Rdf Tropico 0006 & 1034 IDs, ballads (Clar, Moore) 2315 same + items for sale, job ads (Durden-GA)
- 4600.1 BOLIVIA Perla del Acre to 0629* also 0950 various mx, ID, comunicados, prayer (Moore, Orr, Durden)
- 4610 RUSSIA Khabarovsk R 12/15 1102 RS tlk, ID 1114 (Robertson-GA)
- 4650p VIETNAM Son La BS //6343.4 choral chants, tlks (Clark)-1220
- 4697.1 JAVA Surabaya 1/2 1255 Jak nx, no SCI, muddy audio (Clark-ON)
- 4712.5 BOLIVIA Abaroa 1/3 2310 accordion, nx (Clark-ON)
- 4725 MYANMAR VoM to 1330* ment Myanmar, SEAs mx, 1229 ID, nx (Rippel, D'Angelo, Weinrich, Newbury)
- 4750 TIBET Xizang 12/9 1107 CH tlk ment Xizang //7170 (Orr-VA)
- 4753.4 SULAWESI Ujung Pandang 12/11 2146 pops, SCI, ID (D'Angelo)
- 4759 PERU Tingo Maria 12/17 0403 ID, mx, weak (Durden-GA)
- 4760 ANDAMAN Port Blair 1/6 1233 Delhi nx, Hindi nx (Clark-ON) poss 12/6 1253 orch mx, brief tlk, nx 1330 (Dexter-WI)
- 4760 SWAZILAND TWR 1/3 1622 preacher in lang, ID (Atkins-WA)
- 4765 BRAZIL R Rural 12/9 1013 campo mx, ID, ute QRM (Orr-VA)
- 4765 CONGO RTV 0230, 1730-2300 party time mx, FR IDs, ment Brazzaville, nx (Jordan, Karcheski, Newbury, Serra, Atkins, Lamb, Rippel, Durden, Bickus)
- 4770 NIGERIA Kaduna 0430, 1730-2300 rel, IDs, reggae, blues (Westdal, Newbury, Martin, Atkins, Robertson, Serra, Rippel, Davenport, Weinrich)
- 4770.8 ECUADOR Centinela del Sur 1015 ID, folk (Alex., Lamb, Johnson)

4775 BRAZIL R Congonhas 1/5 0810 ID, campo mx (Orr-VA)
 4775 INDIA Guwahati tent 12/4 0044 SC mx, tlk (Alexander-PA)
 12/25 to 1215* 3C mx, quick close, ailing xmtr (Clark-ON)
 4775 PERU Tarma 1/1 1020 SP ID, comedy pgm to 1049* (Klinck-NY)
 4780 DJIBOUTI RTVD 12/12 *0257 NA, FR anmts, Koran (D'Angelo-PA)
 4780 UNID Asian 12/2 1245 tlks, ute QRM (Dexter-WI)
 4785 CHINA Zhejiang 12/9 to 1105* CH tlk, pips, ID (Orr-VA)
 4789.7 IRIAN JAYA Fak-Fak 1/3 2120 pops, chime IS, nx (Clark-ON)
 4795 RUSSIA RM 1/1 2120 EG tlk, jazz, Mailbag (Wallace-NA)
 4795.3p ECUADOR LV de los Caras 12/10 0013 ads, nx, pops (Clar-NY)
 4799.8 GUATEMALA Buenas Nuevas 12/13 to 0330* rel, choral, ID,
 Lesotho QRM (Alexander-PA) 1/18 1100 ID (Tabatowski-OH)
 4800 ECUADOR R Popular 12/23 1041 ads, peticiones, IDs (Lamb-NY)
 4800 INDIA Hyderabad 12/30 1316 SC mx, tlk, pres ID (Clark-ON)
 4800 LESOTHO R Lesotho 12/9 *0258 NA, ID, mx (D'Angelo-PA)
 12/23 0318 best ever w/discuss (Klinck-NY) 0353 Afr mx,
 anmts (Clar-NY) 0425 tent w/sermon, Afr mx (Atkins-WA)
 1/3 1607 EG nx, ID, cigarette ad (Atkins-WA)
 4800.9 PERU R Onda Azul 11/25 0921 huaynos, ID, echos (Orr-VA)
 4804.6 PERU Villarica 12/26 1031 campo mx, ID (Johnson-MD)
 4805 BRAZIL Rdf Amazonas 0105 IDs, mx, tlk abt educ (Durden, Jordan)
 4808.9p BOLIVIA Rdf Libertad 12/30 1015 Andean mx, ment Bol. (Moore)
 4810 SOUTH AFRICA R Orion 0245, 2318 IS, ID, pops, ads, rel,
 class mx (Wallace, Poston, Atkins, Lyon, Bickus)
 4810.5 PERU San Martin 12/5 1030 morn pgm, TC, IDs, slogans (Clar-NY)
 4820 HONDURAS HRVC 1/5 0337 SP preacher (Jones-TN)
 4825 BRAZIL Cancaco Nova 12/9 0733 //6105, 9675 TCs, pops (Orr-VA)
 4825 PERU LV de la Selva 12/23 1008 folk, ID, holiday greet (Lamb)
 4825 UKRAINE RU 0100 //7195 nx, cmtry, folk (Alexander, Clar)
 4826.2 PERU Sicuani 11/24 *0949 NA, IDs, huaynos (Orr-VA)
 4830 BOTSWANA RB 12/29 0250 IS, NA, ID, lite pops, nx (Martin-MI)
 tent 1/3 2140 EG gospel, anthem, tent IDs (Lawrence-NY)
 4830 VENEZUELA Tachira 0134-0345 restaurant ad, drama (Bickus,
 Jones)
 4833 COLOMBIA Buenaventura 1000 ID, nx, ads, ment Caracol, heavy
 QRM from Reloj (Durden, Berg)
 4835 GUATEMALA Tezulutlan 12/29 0140 ID, marimba, Silent Nite (Jord)
 4835 SARAWAK Kuching 12/30 1335 EZL, OM annor (Clark-ON)
 4840p PERU Andahuaylas 12/31 1035 Indian lang, poor (Moore-IA)
 4844.8 GUATEMALA R Kekchi 0300+ rel, ID, folk, sfx, TCs, carols
 (Alexander, Jordan, Clar)
 4845 MALAYSIA RTM 1/3 1318 Muslim class mx, SC, anmts (Clark-ON)
 4845 MAURITANIA ORTM tent 12/31 0023 FR call-in pgm w/AR mx
 breaks (Karcheski-MA) 2130 AR tlk (Rippel-VA) 12/30 2229
 AR mx, tent ID, good (Davenport-TN)
 4850p MONGOLIA RUB 12/9 1206 lite mx, tlks (Orr-VA)
 4850 UZBEKISTAN Tashkent II Pgm 12/23 0245 mx, RS ID (Johnson-MD)
 4852.3 YEMEN R Sana'a 12/28 2150 ME mx, AR tlks (Rippel-VA)
 4855 MOZAMBIQUE RM 12/7 0304 PT tlk, brief mx bits (Dexter-WI)
 4855.8 BOLIVIA R Centenario 12/23 1013 slogan, kids tlk (Johnson-MD)
 4856v PERU R La Hora tent 11/23 2310 poss ID, ballads (Orr-VA)
 4860 INDIA Delhi 1222 nx, ID, Hindi nx, SC mx (D'Angelo, Lawrence)
 4860 RUSSIA RMWS 2135 cmtry, 2200 EG nx (Rippel, Tabatowski)
 4863.8 MOLUCCAS Ambon 1200 & 2127 ID, drama, anmts, nx, trumpet
 fanfare (Tabatowski, D'Angelo, Clark)
 4864.5p BOLIVIA R Em 16 de Marzo 12/30 1006 Andean mx (Moore-IA)
 4865 COLOMBIA LV del Cinaruco 0318 ID, LA songs (Serra, Robertson)
 4866.5p IRIAN JAYA Wamena 12/20 1530 sports, ID, IS, nx (Yamada-JAPAN)
 4870 BENIN ORTE 2215-0102* FR hilife, anmts, NA (Alexander,
 Davenport, Lyon)
 4871 ECUADOR Centinela del Sur 12/5 1105 sev IDs, TC (Clar-NY)
 4874.6 IRIAN JAYA Sorong 1/3 2126 EZL, anmts, ID, SCI, nx (Clark-ON)
 4875 BOLIVIA La Cruz del Sur 12/25 1003 ID, ads, drama (Durden-GA)
 12/8 2303 tlk & Andean mx, IDs (Clar-NY)
 4890 GABON RFI 1/2 0515 FR tlk, ID, mx bridges (Robertson-CA)
 4890 PAPUA NBC 0850-1245 wx, ID, nx, bluegrass (Robertson,
 Frogge, Tabatowski, Newbury, Martin)

- 4890 PERU R Chota 12/25 0115 IDs, ads, Xmas greet (Durden-GA)
 4895 BRAZIL R IPB AM 11/26 0107 pops, TC 0119 full ID (Orr-VA)
 4895 COLOMBIA LV del Rio Arauca 12/11 0141 pol, ads (Clar-NY)
 4900 ECUADOR LV Saquisilí 1127 ID, morn pgm, greetings, folk mx (Durden, Moore)
 4904.5 CHAD RN *0428, 1708 IS, NA, ID, hilife, nx, fair (Martin, Atkins, Serra)
 4904.5 UNID suspect Cambodia 1/2 1155 SEAs mx, tlks (Rippel-VA)
 4909y CAMBODIA VOPC 1/2 1125 interview in Khmer, ID (Durden-GA)
 12/27 2235 unusually strong w/chants (Clark-ON)
 4909.9 ZAMBIA ZNBS 12/23 0248 IS, tlks (Johnson-MD)
 4910 INDIA Jaipur 12/22 1235 Hindi nx, no EG nx (Clark-ON) 12/11
 1329 nx, persistent QRM so presumed (Dexter-WI)
 4910.6t HONDURAS LV de la Mosquitia 1/3 0245 EG Bible pgm, tnx
 Comeau (Wallace-MA)
 4915 CHINA Guangxi 12/15 1120 CH IDs, tlk by YL (Robertson-CA)
 4915 GHANA GBC 0555 & to 2300* rel, ID, nx, tribal mx (Atkins, Rippel, Davenport, Lyon)
 4920 INDIA Madras 12/21 0105 sev IDs, vcls (Clark-ON)
 4920 AUSTRALIA Brisbane 12/5 1135 rag-jazz mx (Frodge-MI2)
 1/10 1245 pops, phone-in, interview (Lyon-MN) 1/3 1742
 accented EG, poor (Atkins-WA)
 4924.9 BRAZIL Rdf Taubate 1/3 0645 anmts, IDs, pops (Alexander-PA)
 4925 SUMATRA Jambi 1/12 1129 chimes, nx, ID, speech (Orr-VA)
 12/26 2200 Jak nx, IS, 1cl ID, chorus (Yamada-JAPAN)
 4925.4 BOLIVIA R San Miguel 1/2 1010 IDs, cholera prevention ads,
 rel (Durden-GA) 1/3 1010 ID, campo mx, rel (Alexander-PA)
 4926.2y PERU Onda Verde R 12/18 0956 TC, ID, mx, ads (Johnson-MD)
 4926.8 SUMATRA Jambi 12/6 to 1659* IS, nx, pops, anmts (Yamada-JAPAN)
 4930 CHINA Honghe 1/5 1113 CH tlks, ment Honghe, instl (Orr-VA)
 4931.5 UNID poss Honghe 12/12 1210 CH tlk, orch mx (Dexter-WI)
 4935 KENYA KBC *0156 & 1757-2000 nx, prayer, ID, ads, Jingle Bells
 (Westdal, Wallace, Alexander, Durden, Poston, Atkins, Serra, Valko)
 4939.2 BOLIVIA R Norte 1/5 0919 marching band, yelled ID (Orr-VA)
 4940 CHINA Vo Strait 1/4 1202 //11100 tlk, instl theme (Orr-VA)
 4940 COTE D'IVOIRE RCD 12/19 0459 FR TP, anmts, vcls (Klinck-NY)
 4945.1 BRAZIL R Progreso 12/23 1010 ID, mx (Johnson-MD)
 4946.6y UNID Colombia? 1/1 to 0251* ment Bogota, Caracol? (Alexander)
 4950 CHINA Vo Fujiang 1035 & 1144 ID //7115 orch mx, nx (Orr, D'Angelo)
 4950.1 CHINA Nei Menggu 1/3 2244 MG tlk, class mx (Clark-ON)
 4955 PERU R Cultural Amauta 1/14 1055 NA, ID, Indian lang (Durden)
 4960 PERU R La Merced 12/31 1048 ranchera mx, ID (Moore-IA)
 4961 ECUADOR Federacion 12/13 *1057 NA, choral, ID (D'Angelo-PA)
 4965 BOLIVIA R Juan 23 1/6 0953 var mx, ID, poor (Moore-IA)
 4965 BRAZIL R Poti 0210 sev IDs, ads, ballads (Durden, Orr, Dexter)
 4970.3 PERU R Imagen 12/6 1042 excited tlk, TC, ID slogan (Johnson)
 4976 UGANDA RU 12/14 0415 ads, ment Kampala, EG nx (Martin-MI)
 pres 1616 on 1/3 accented EG, other Afr hrd too (Atkins-WA)
 4980 VENEZUELA Ecos del Torbes 0127-0340 salsas, full ID, ads,
 nx, etc (Bickus, Jones, Serra, Newbury)
 4985 BRAZIL Brasil Central 12/6 0200 vcls, anmts, fade (Newbury-NE)
 1/9 2305 ID, ads, guitar mx, Happy B'day on xylo (Lyon-MN)
 4991.1 PERU R Ancash 12/6 0210 OA mx, anmts (Newbury-NE)
 5004.8 BOLIVIA Libertad 1003 canned anmts, ID, greetings, Ode
 to Joy, vcls (Valko, Moore, Johnson)
 5005.3 NEPAL R Nepal 12/28 1308 mx, ads, ID 1315 (Clark-ON)
 5009.4 MADAGASCAR RM 0255 12/4 IS, ID, tlks (Durden-GA) 1/3
 1640 tlks, Motown mx (Atkins-WA)
 5010 CAMEROON R Garoua, 0522 & 2130 disco, steel drums, kids
 choir (Serra, Newbury, Atkins, Rippel)
 5010.3 ECUADOR Escuelas Radiofonicas Pop 12/3 1147 ads, ID,
 Quechua pgm (Durden-GA)
 5015 TURKMENISTAN 1st Pgm 12/19 2355 tones, TP, ment Moscow,
 morn greetings, IS, tlk (Johnson-MD)

- 5015.6 PERU Estacion Tarapoto 1/16 1043 ID, police nx w/sirens & machine gun sfx (Durden-GA)
- 5020 CUBA Rebelde 12/11 2208 rock mx, sev IDs (D'Angelo-PA)
- 5020 NIGER ORL 12/9 1746 FR ID, tribal song, nx (Serra-ITALY)
- 5020 SOL ISL SIBC 12/5 1120 native vcl, EZL, rel, anthem (Frodge)
- 5025 BEHIN Parakou 11/27 2050 tlk, choral, FR ID, nx (Orr-VA) 1/11 to 2201* Procol Harum, IDs, anthem (Lamb-NY)
- 5025 BHUTAN BES 12/28 1308 nx, vcls, mx bridges, 1415 EG, C&W mx, clogis anmt (Clark-ON)
- 5029.9 SARAWAK Kuching 12/30 1322 Koran, SC mx (Clark-ON)
- 5030 ECUADOR Catolica Mac 12/11 to 0104* IDs, prayer (Alexander)
- 5030 COSTA RICA TIAWR 0017 rel, Xmas mx (Alexander, Bickus)
- 5032.2 UNID poss Vietnam 1300 fanfare, ment Vietnam, also at 2250 tribal chants, lang seems more like Tibetan. Help! (Clark-ON)
- 5034.9 CENT AFR REP RTV 12/10 0432 anmts, hilife, ID (Klinck-NY) 12/5 0457 tribal mx, IDs (Serra-ITALY)
- 5035 KAZAKHSTAN Kazakh R 1/12 1211 //5260 vcls, anmts (Orr-VA)
- 5035 UNID 12/24 2240 Silent Nite, tlk in lang, not FR & didn't sound PT, more Slovak-type, 2300 tone, 3 TP (Hardester-NC)
- 5040 CHINA Fujian 1/3 2240 YL tlk in CH (Clark-ON) 12/26 0911 ballads, tlk, pres since no ID (Robertson-CA)
- 5047 TOGO Lome *0529 & 2205 anthem, rel, nx, ID (Lamb, Newbury, Lyon)
- 5050 COLOMBIA LV de Yopal 12/12 0244 speedy tlk, ID (Serra-ITALY) tent 12/23 at 0253, ment Caracol, fair (Klinck-NY) 11/28 0330 cumbias, vallenatos, ads, ID (Durden-GA)
- 5050 ECUADOR R Jesus del Gran Poder 12/3 0952 rosary, nx (Bickus)
- 5050 TANZANIA RT 1/3 1624 pol debate, ment Tanz, R&B (Atkins-WA)
- 5055.4 IRIAN JAYA Nabire 1/2 0628 pops, IDs, mx (Robertson-CA) 12/28 2059 IS, Jak nx, pops (Yamada-JAPAN)
- 5075 COLOMBIA Caracol 12/13 0033 ID, var mx (Poston-IA) 0153 dramatic promo, ads for debit card, nxpaper (Bickus-VA) 12/12 0411 ads, Coca-Cola, nx (Serra-ITALY) 0759 kids singing, ID, tlk show (McDonough, Robertson)
- 5082.5 PERU R Mundo 1/5 0840 huaynos, IDs, TC (Orr-VA)
- 5097 PERU R Eco 12/8 0535 lively mx, IDs (Weinrich-ND)
- 5245v PERU Tayabamba 1/5 1017 strange vcls, ID, TC (Orr-VA) 1/10 1000 IDs, variedades musicales, ads (Durden-GA)
- 5323.6 UNID Latin, R Origen? 12/25 1034 La Bamba, Parsons (Valko-PA)
- 5338.9 PERU R Lider 11/24 1009 huaynos, TC, IDs (Orr-VA)
- 5460.6 UNID Latin just LA mx 12/25 1038, vy weak (Valko-PA)
- 5569.9 COLOMBIA Nueva Vida 1/3 1010 rel, full IDs, echo anmts (Orr) 1/9 1026 rel, IDs, addr (Durden-GA)
- 5601.2 VIETNAM R Lao Cai 12/28 1045 vern/VT mx, tlk, 1058 Hanoi relay, ID, nx (Yamada-JAPAN)
- 5800p CHINA Xinjiang 12/27 0216 comedy pgm, poss ID (Clar-NY)
- 5800 PERU Nueva Cajamarca 11/24 *0907 NA, IDs, huaynos, TC, "Amanacer Tropical" (Orr-VA) 12/18 1012 TCs, huaynos, promos (D'Angelo-PA)
- 5835nf CLAND Patria Libre 1/1 to 0114* IDs, LA mx (Alexander-PA)
- 5850 USA Christian Science 12/13 0057 FR/EG addr (Poston-IA) 0720 RS/EG rel, Xmas hymns, ID (Robertson-CA)
- 5880 AUSTRALIA 12/17 2030 nice sig //7260, supposedly Carnarvon to 2055*, seemed 2 diff Aust xmtrs on 11855 at this time (Berg-MA)
- 5880 CHINA CPBS 12/15 1304 CH tlks, nx, presumed, no ID (Robertson)
- 5882 VATICAN VR 1/10 2049 ID, IS tlk abt Lent, SP 2124 recheck, 2130 into PT (Lamb-NY)

Many tnx for the great loggings & to those of you who sent Xmas greetings. Sorry for the heavy editing due to the amount of material. 17 states, 1 province & 2 countries! Next month's deadline to me is February 19. Notice I moved my deadline up to the Friday before the second last Saturday.

International Band Loggings

Wallace C. Treibel
357 N.E. 149th Street
Seattle, WA 98155



- 59503 GUAYANA VOG in EG 0920, Xmas & Hindi mx, ID, TC, ancmts, f (D'Angelo PA 12/13)
 5960 CANADA R Monte Carlo relay in AR 0402-0420*, IDs, nx, inst mx, f (Lamb NY 1/10)
 5965 ECUADOR LV del Upano in SP 1020, church svce, ID (Wolfson OH, Rausch NJ 12/28)
 59815v GUATEMALA Union R, AWR in SP 0050, hymns, lite mx, g (Wallace MA 1/2, Dexter WI)
 59843 SUMATERA RRI Pekanbaru in IN 1350, tlk by YL, weak sig (Clark ONT 12/30)
 5990 MYANMAR VOM in Burm? 1215, tlk, drama, nx, vg on LSB (Clark ONT 12/26)
 5990 ITALY RAI in RS 0531, IS, bells, ID in RS, pops, //7275, f (Lamb NY 12/18)
 6000 SAUDI ARABIA BSKSA in AR 0514, AR mx, tlk re radios/transistors (Serra ITALY)
 6015 RUSSIA R Ala in RS 2356, folk/acoustic mx, guitar IS, ID, p (Clar NY 12/17)
 6020 AUSTRALIA RA in EG/Pidgin 0839, wx, Philippines focus, ID (Robertson CA 12/26)
 In Tok Pisin 0916, "Reggae Best", jingle, ID, nx, //6080, 7240 (Lamb NY 1/10)
 6030 CANADA CFVP MW relay in EG 1350, "AM 106", pops, ads, f (Frodge MI 12/23)
 6040 ANTIGUA Deut Welle relay in EG 0139, New Years special, g (Jones TN 12/31)
 604997 SARAWAK RIM Sibiu in lang 1358, mx theme, nx, jingle, pops, f (Clark ONT 12/30)
 6050 UNITED KINGDOM R Japan relay in EG 2331, "Media Roundup", IDs, f (Clar NY 12/20)
 6070 CANADA CFRX MW relay in EG 0706, "Larry King Show", ads, f (Robertson CA 12/19)
 6085 BOLIVIA R San Gabriel in SP/dial 0915, vocals, ID, TC, flute, g (D'Angelo 12/12)
 609085 PERU R Universal Cusco in SP *1032, guitar mx, "Peru Amigo", f (D'Angelo 12/12)
 6095 VATICAN STATE VR in SP 0312, IS, bells, LA mx, ID, Xmas pgm, g (Lamb NY 12/25)
 6115 INDIA AIR in lang 1340, vcls, Vividh Bharti svce, f, //9615 (Clark ONT 1/3)
 6130 CANADA CHNX MW relay Halifax in EG 1215, pop oldies, ad, prono, f (Frodge 12/5)
 6140 AUSTRALIA ABC Perth in EG 1220, pgm re Simpson Desert, nx/wx (Rausch NJ 12/28)
 6150 KENYA KBCO in vern 2045-2112*, lcl African choral mx, NA (Alexander PA 12/26)
 6180 CUBA RHC in EG *0358, anti-US propaganda, mailbag, jazz mx, f (Robertson CA 1/4)
 6185 MEXICO R Educacion in SP 0817-1250, LA mx, ID, f-g (Robertson CA, Klinck NY)
 61945v PERU R Cusco in SP 1016, pgm of huaynos, ID "LV de la Capital" (D'Angelo 12/12)
 62055nf DOMINICAN REPUBLIC R Estrella in SP 2230-0455, req rpts, LA/US pops, ID, address
 wipe out by HCJB 0458 (Berg MA, D'Angelo PA, Alexander PA, Hardester NC 12/21)
 62504 EQUATORIAL GUINEA RN Malabo in SP 2245, Xmas mass, choir mx, ID (Valko PA 12/24)
 6262v PERU R Juanjui in SP 0238, tlk, ID, weak to fair signal (Dexter WI 12/9)
 6280 LEBANON King of Hope R in EG/lang 0158, ID, relig pgm (Klinck NY, Dexter WI)
 6300 TAIWAN WYFR via WOFB relay in CH 2220, tlk, relig mx, weak (Alexander PA 12/19)
 63434v VIETNAM Son La BCS(p) in lang 1220, choral chants, //4650 (Clark ONT 1/2)
 6480 SO KOREA RK in IT 2030, ID, nx, "Casella Postale", //7550 (Serra ITALY 12/20)
 6560 NO KOREA R Pyongyang in JP 0938, choral/orch mx, tlks, ID, //7580, f (Lamb 1/10)
 6560 IRAQ Iraqi Rep BC(th) in Kurdish 0256, Qu'ran, ID?, nx, f/QRN (Lamb NY 1/7)
 66286v PERU LV de San Antonio in SP 0048, tlk, flute mx, ID, ancmts, p (Clar NY 12/17)
 6900 TURKEY VO Meteorology Ankara in TK 1645, tlk, ID, anthem, g (Serra ITALY 12/10)
 70654v PERU R Azangaro in SP 1022, long tlk, campo mx, TC, ID (Valko PA 12/25)
 7105 ASCENSION IS BBC relay in FR 0629, nx, drum/chant mx, ID in FR/EG (Robertson CA)
 7115 BULGARIA R Moscow relay in EG 2328, "Jazz Show", feature (Tucker GA, Bickus VA)
 7125 GUINEA Riv Guineenne in FR 2235-0000*, pop mx, ID (Wallace MA, Frodger MI 12/5)
 7125 ITALY IRRS Milan in EG 0940, ID, relig pgm (Tucci MA 11/29)
 7165 NEPAL R Nepal(t) in lang 1532, nx?, ID?, IS, off 1603, ham QRN (Murray OR 12/12)
 7170v SENEGAL ORTS Dakar in FR 0730-0900, lcl mx, ID on hr, chatter (Wallace MA 12/20)
 7180 UKRAINE R Ukraine Int in EG 0109, choral/rock mx, fqys, ID, sked, Xmas club in
 Ukraine, //7195, 7240, 4825 (Lamb NY 12/13, Poston IA 12/13, Bickus VA 12/15)
 7195 UKRAINE R Ukraine Int in EG 2200, nx, folk mx, fqys (Alexander PA, Newbury NE)
 7200 YUGOSLAVIA RV in EG 2158, IS, fqys, elections in Serbia, f (Hardester NC 12/20)
 7200 PORTUGAL VOA relay in lang/EG 0430*, Yankee Doodle IS, nx, ID, p (Wallace 1/2)
 72106nf ITALY AWR Forli in lang/EG *0730, organ IS, IDs, into IT? 0800 (Wallace 1/2)
 7225 RWANDA Deut Welle relay in EG 0413, nx & political cmntry, f (Bickus VA 12/15)
 7240 UKRAINE R Ukraine Int in EG 0157-0200*, ID, fqys, sked, mx (Wolfson OH 12/6)
 7255 PORTUGAL R Free Europe relay in PL 0548, "Hallelujah Chorus", IS, ID (Lamb 1/7)
 7265 GERMANY Sudwestfunk in GM 2206, rock mx, "Wicked Game", DJ (Karcheski MA 12/21)
 7270 SO AFRICA Channel Africa in EG 0307, cmntry, mx, ID, f-p (Poston IA 1/6)
 7305 VATICAN STATE VR in SP 0202, ID, "Noticias del Mundo Catolico" (Lamb 12/31)

7335nf VATICAN STATE VR in Tamil? 0125, cmntry, IS, ID, f/w QRM frm CHU (Clar NY 12/19)
in EG 0154, church mx, ID, IS (Lamb NY, McDonough MA, Wallace MA 12/29)

7345 CZECH/SLOVAK R Czech in EG 0000, nx, ID, pgm sked, press pgm (Poston IA 12/18)

7355 USA UN Solo Pueblo via WRNO in SP 0313, anti-Castro tlks, ID (Dexter WI 12/7)

7370 TURKEY Turkish Police R in TK *0455, IS, anthem?, ID, pop mx, p (Wallace 12/31)

7385nf? COSTA RICA R Neg Marron via RFPi in Creole 1204, nx, EG ID (Dexter WI) USB recpt

7412 INDIA AIR in Tibetan 1255, pop mx, 5 pips 1330, nx, IS, g (Lyon MN 1/10) in EG 1745, folk mx, ID, nx (Serra ITALY) in EG 2119, Hindu mx, cmntry (Wolfson OH)

7420 BYELARUS RB in BR *1900, organ IS, ID, nx(p), f-p (Lamb NY 12/24)

7465nf? USA W6WN Alabama in RS(p) *0500, IS, ID, litany, prayers, organ mx (Jordan PA 12/29)

7475 TUNISIA RIV Tunisienne in AR 2215, AR vocals, long tlk, clapping (Lyon MN 1/10)

7520nf USA W6WN Alabama in CZ *0300, IS, EG ID, QTH, relig mx, sermon (Jordan PA 12/29)
in CZ *0357-0456*, IS, ID, TC, relig pgm, f-g (Lamb NY 12/30)

7540nf USA W6WN Alabama in GM 2120-2200*, in EG 2055*, 0344, 1513, 0430 testing prior
to 12/28, relig pgming, IDs, QTH (Jordan PA 12/28, Wallace MA 12/27, Alexander
MA 12/20, Frodge MI 12/22, Berg MA 12/20) ED: God only knows the fgy they lit on

7820 CHINA CRI Beijing in RS 1313, long tlks, choral mx, pop mx, g (Lyon MN 1/10)

7880nf? AUSTRALIA RA in EG *0000, ID, nx, "International Report", IS, f (Lamb 12/14)

9170 SUDAN R Qmduman in EG *1800-1900*, nx, "Weekly Review", "Sudanese Folklore", ID
(Karcheski MA, Berg MA, Wallace MA, D'Angelo PA, Alexander PA) in AR 1650 & 2015
NA & ID 1700, TC & pips each half hr, Koran 2103 (Clar NY, Hardester NC, Atkins)

9280 TAIWAN WYFR Family R relay in CH 1334, hymns, USA address, IS (Lyon MN 1/10)

9418nf PAKISTAN RP in EG *1658-1800, nx, Koran, Asian mx, ID (Rausch NJ, Alexander PA)

9420 PHILIPPINES FEBC in CH 1523-1600*, tlks, ID, IS, relig themes, f (Lamb NY 1/9)

9435 ISRAEL KOL Israel in EG 0501, nx, wx, pips 0515, into FR (Serra IT 12/12)

9445 TURKEY VOT in EG 2100, 2315, ID, nx, cmntry (T.Smith CT, Poston IA, Levison PA)

9475 EGYPT R Cairo in EG 0200, ID, nx, AR mx (Jones OH, Newbury NE, Davenport TN)

9505 BRAZIL R Record in PT 1003, IDs, pop vocals, tlk, ID (D'Angelo PA 12/12)

9505 CZECH/SLOVAKIA RC in EG 1134, ID, piano mx, tlk, //11990, 7345 (Serra 12/13)

9510 USA KJES New Mexico in SP *2000-2100*, litany, relig polemics, ID, YL w/fast
paced phrases repeated by a man, f (Jordan PA 12/27, D'Angelo PA 12/11)

9510nf CUBA RHC in EG 0633, ID, DXers Unlimited pgm, xmsn to WCNA (Robertson CA 12/20)

9520 PHILIPPINES RP Veritas in UK 1208, tlks, choral, EG ID (Jordan PA, Dexter WI)

9530 SPAIN REE in EG 0015, 0500, nx, DX pgm, ID, pips (Newbury NE, Robertson CA)

9530 MOROCCO VOA relay Tangier in EG 0610, "Daybreak Africa", ID, IS (Lamb NY 1/12)

9530 NO MARIANAS KHBI Saipan in EG 1405, ID, nx, cmntry re Bosnia, f (Lamb 12/18)

9535 NETHERLAND ANTILLES TWR Bonaire in EG 0313, life of J Paul Jones (Levison PA)

9545 ANTIGUA Deut Welle relay in EG 0258, nx, cmntry, site ID (Robertson CA 1/4)

9552 INDONESIA RRI Ujung Pandang in IN 0745, mx, buried by WYFR 0752 (Clark ONT 1/1)

9575 MOROCCO R Medi Un in FR/AR 0541, US & FR pop mx, FR nx, ID, AR nx (Lamb NY 1/3)

9575 BOTSWANA VOA relay in Somali 0245, ID, IS, rapid tlk, into EG 0300 (Jordan 1/4)

9595 JAPAN R Tanga Tokyo in JP 0948, tlk, ID, co-channel VOA QRM 1000 (Robertson CA)

9615 INDIA AIR Bombay in HD 1344, Vividh Bharati pgm, ID, pop mx (Orr VA 1/4)

9615 PHILIPPINES RP Veritas in CH 1519, tlk, carols, IS, EG ID, fgy, f (Clar NY 12/25)

96347 SINGAPORE SBCC in CH 1254, CH pop mx, pips 1300, nx, tlks (Orr VA 1/12)

96403 VENEZUELA Ecos del Torbes in SP 0215, ads, jingles, LA mx, //4980 (Alexander 1/1)

9655 NORWAY RNI in EG 1705, folk mx, tlk re Xmas songs in Norway, IS (Serra ITALY)

96594 VENEZUELA R Rumbos in SP 0200, 0330, 0840, Xmas mx, IDs, TCs, LAm mx, "doorbell"
between nx items (Newbury NE, Wolfson OH, Alexander PA)

9660 AUSTRALIA ABC Brisbane in EG 0726, 1002, nx, sports, IDs, tlks, pop mx, f-p
(Clar NY 12/13, Robertson CA 12/20)

9670 NO MARIANAS KFBS Saipan in VT 1306, relig tlk/mx, ID 1317 (Orr VA 1/4)

96749 BRAZIL R Cancao Nova in PT 2254, LAm mx, ID, QTH in EG (Wolfson OH 12/20)

9675 INDONESIA VOI in IN 1245, lcl pop mx (Orr VA) in EG 2000, nx, ID (Alexander PA)

9675 FRENCH GUIANA R Japan relay in SP 0940, nx & discn, ID (Robertson VA 12/19)

9690 SPAIN R China Int relay in EG 0300, tlk, nx, Buddhist Temple mx, ID 0351
(T. Smith CT, Levison PA 12/23, Robertson CA 1/4)

9700 GREECE VOA relay Kavalla in EG 2032, jazz ensemble, p w/QRM (Levison PA 12/23)

9700 NEW ZEALAND RNZI in EG *0659, IS, ID, cricket match, carols, varied strange mix
of Dr. Demento-type mx (Robertson CA 12/19, Alexander PA 12/13)

9700 BULGARIA R Sofia in GM 0701, ID, folk mx, "Hit Paraden" pops (Lamb NY 1/3)

97102 LITHUANIA R Centras in EG 0737-0800*, ID, choral mx, QSL info (Alexander 12/26)

9715 QATAR QBS in AR 1810, tlks, AR instmtls, chants, IDs, pips on hr, f-p with
QRM from co-channel Deut Welle (Jordan PA 1/1, Hardester NC 12/30)

9715 NETHERLAND ANTILLES RN relay in DT 0605, nx, cmntry, ID, ex (Robertson CA 12/19)

9720 NETHERLAND ANTILLES RN relay in EG 1010, "Media Network", g (Rausch NJ 12/28)

9735 OMAN R Oman(T) in AR *1700, nx?, prayers, AR mx, no ID hrd (Jordan PA 1/1)

9735 PARAGUAY RN del Paraguay in SP 2332, futbol game, ID, g (D'Angelo PA, Bickus VA)
 9740 MOROCCO VOA relay Tangier in UK *0530, IS, ID, mx, editorial (Lamb NY 1/5)
 97428 INDONESIA RRI Sorong in IN 0710, ID, vocals, TC, lagu theme, f (Clark ONT 1/3)
 9750 GERMANY R Free Europe in RS 2140, DJ, cmntry, mx, //7220, 11885 (Wolfson OH)
 9770 CYPRUS BBC relay in EG 2128, EG language course (Wolfson OH 12/5)
 9770 MALI R China Int relay in EG 0012, ID, sked, features (Davenport TN, Bickus VA)
 9770 AUSTRALIA RA in Khmer *1230, IS, anthem intro, nx?, pop mx, f (Jordan PA 12/24)
 9790 FRENCH GULANA RFI relay in SP 1008, internl nx, ID, exc (Robertson CA 12/15)
 98299 CROATIA CR in EG 0903, 2 min of EG nx, classical mx (Alexander PA 12/26)
 9830 PALAU KHBN Voice of Hope in CH/EG 0846-1400, sked, hymns, ID in EG, BG period
 1330-1400 (Hardester NC 12/26, Robertson CA 12/19, Lamb NY 1/1, Clark ONT 12/25)
 9840 KUWAIT R Kuwait in AR 2000, chants, AR mx, tlks, nx?, ID (Jordan PA 12/20)
 9865 RUSSIA Golos Rossii in RS *0300, IS, ID, Krenlin bells, tlks, f (Jordan 1/11)
 9870 GUAM KIWR in JP 1320, relig tlks & mx, ID, ancmts, off 1328 (Orr VA 1/4)
 9870 SAUDI ARABIA BSKSA in AR 2015-2043, AR mx, DJ, ID, nx? (Wolfson OH 12/5)
 9900 EGYPT R Cairo in AR 0149, lang lesson, AR mx, ID, nx? 0202, f-p (Clar NY 12/2)
 9930 BELGIUM R Vlaanderen in EG 0029, IS, nx, wx, press review, f-g (Poston IA 12/19)
 10330 INDIA AIR Delhi in Myanmar 1242, address, ID, sitar amx, tlks (Orr VA 1/12)
 11530 LEBANON Wings of Hope in EG 0015-0201*, ubiquitous Dr Gene Scott, occasional SP
 ancmts, ID, s/off w/Lebanese NA, //62802 (Alexander PA 12/11, Serra ITALY 12/20)
 11575 CHINA China R Int in EG 1600, fanfare, ID, nx, mail, f w/flutter (Lamb NY 12/29)
 11605 ISRAEL Kol Israel in EG 2230, ID, nx re border policies, f (Unruh WA 12/13)
 11630 BULGARIA R Sofia in EG 1143, disco mx, ID, polit tlk, g (Serra ITALY 12/13)
 11655 MADAGASCAR R Nederland relay in EG 0320, mx pgm, ID, off 0325, p (Robertson 1/4)
 11680 FRENCH GULANA China R Int relay in EG 0402, nx, mx, ID, g (Levison PA 12/25)
 11680 NO KOREA KCBS in KR 0011, long emotional tlk, ancmts, p/QRM 0027 (Clar NY 12/14)
 11700 RUSSIA R Art in RS 1550, pop/rock mx, ID's, RS ads, ID in EG (Berg MA 12/25)
 11710 ARGENTINA RAE in EG 0130, features, tango mx, ID (Weinrich ND 12/8)
 11715 USA KJES New Mexico in EG/SP 1300-1558, ID by child, children repeating relig
 passages, relig mx (Wallace MA 1/2, Hardester NC 12/26, Newbury NE, Frodge MI)
 11715 MALI China R Int in EG 0327, Buddhist Temple mx pgm w/cmntry, nx, ID, //9770
 (Robertson CA) in EG 2107-2128*, nx re China, orch mx, f-g (Lamb NY 1/3)
 11720 PHILIPPINES VOA relay in Khmer *2158, ID, IS, lang anmt, nx, fj-g (Lamb 1/3)
 11785 SRI LANKA Deut Welle relay in EG 1910, Afr service w/int nx, g (Rausch NJ 12/28)
 11785 BRAZIL R Guaiba in PT 0228, "Musica da Guaiba" pgm, ID, fqys, f (Lamb NY 12/25)
 11790 IRAN VOIRI in EG 0045, ID, nx, cmntry, sked, fqys, IS (Clar NX, Westdal CA 1/11)
 11790 MALI China R Int relay in SP 2330, flute mx, salute to workers, g (Bickus VA)
 11795 RWANDA Deut Welle relay in GM 0131, Xmas pgm, ID, fqys, IS, nx (Robertson CA)
 11795 NORWAY RNI in EG 2311, features incl one on contraband birds (Bickus VA 12/21)
 11800 PORTUGAL RP in EG/FR/IT 0926, ID, nx, //9740, g (Serra ITALY 12/13)
 11815 POLAND Polish R Warsaw in EG 1307, IDs, nx, cmntry (Poston IA, Weinrich ND)
 11827 POLYNESIA RFO Tahiti in FR 0225, FR pop songs, island mx, ID (Wallace MA 1/3)
 11845 CYPRUS BBC relay in RS 1820, contemporary mx, cmntry re choices (Unruh WA 12/28)
 11870 COSTA RICA AWR Latin Am in SP 0506*, choral mx, ID, fqys, EG ID, NA (Lamb 1/3)
 11930 NETHERLAND ANVILLES TWR in EG 0315, relig tlks, as of July 93 TWR will no longer
 bcst on SW, will use satellite downlink (Newbury NE 12/20, Davenport TN 12/24)
 11945 HONG KONG BBC relay in EG 0003, Newsdesk, ID, co-channel QRM REE (Clar NY 12/14)
 11980 GUAM AWR Asia in JP 1400, IS, ID in EG, tlk in JP, f (Rausch NJ 12/28)
 12035 GABON Swiss R Int relay in EG/Senegalese 0208, interview, ID (Robertson 12/21)
 13595nf USA WJCR Kentucky in EG 0136, "Prayer Line", ID, gospel mx, //7490 (Lamb 12/29)
 13620 KUWAIT R Kuwait in EG 1834, nx, ID, ezl songs, NA, g (Serra ITALY 12/12)
 13625 NO MARIANAS KHBI Saipan in EG 2159, IS, ID, sked, nx, relig pgm (Rausch NJ,
 Karcheski MA) ED: Apologies from K Murray for rptng this at 13655 last month.
 13630usb COSTA RICA R Neg-Marron via RFPI in FR/Creole 2000, beamed to Haiti, ID in EG,
 //15031, f-p w/QRM from SRI on 13635 (Hardester NC 1/2)
 13675 UNITED ARAB EMIRATES R Dubai in EG 1630, nx, wx, ID, mx (Serra ITALY, Unruh WA)
 13710 BOTSWANA VOA relay in EG 1958, jazz mx, ID, "Nightline Africa" (Tucker GA 12/10)
 137498 COSTA RICA AWR in EG 1058, ID, "The Quiet Hour" rel pgm, //97255 (Alexander PA)
 13755 AUSTRALIA RA in EG 1710, "Communication", ID, mx (Serra ITALY, Bickus VA)
 13845nf USA WJCR Tennessee in EG 0047, Dr Gene Scott, ID, steel drums (Lamb NY 12/29)
 15030 COSTA RICA R Neg-Marron via RFPI in FR/Creole 1958, tlks, EG ID (D'Angelo PA)
 15090 VATICAN STATE VR in HD 1457, IS, bells, Indian mx, ID, church nx (Lamb 12/27)
 15110 SPAIN REE in SP 2037, relig mx, tlks, IDs, mx (Wolfson OH 12/20)
 15120 NEW ZEALAND RNZI in EG 0430-0658*, bird call IS, ID, EG cricket, Xmas greetings,
 (Alexander PA, Clark ONT, Newbury NE, Jordan PA, Wolfson OH, Clar NY, Tucker GA)
 151755nf POLYNESIA RFO Tahiti in FR/IT 0125-0600, C&W and island mx, tlks, nx in FR 0600,
 //11827 (Tucker GA, Clar NY, Clark ONT) ED: RFO apparently has moved up 5 khz.

- 15185 PHILIPPINES VOA relay in EG 2236, spec EG nx, features, ID (Lamb NY 12/13)
- 15205 PHILIPPINES VOA relay in IN 2303-2330*, nx, IDs, EG sound bites, IS (Lamb 1/10)
- 15230 JAPAN RJ Tokyo in EG 0351, tlk re Taiwan, IDs, nx, into JP 0400 (Lamb 12/28)
- 15235 LIBYA R Jamahiriya Tripoli in AR 2126, tlks, mx, //15415 (Wolfson OH 12/25)
- 15260 ASCENSION IS BBC relay in EG 2329, "Music Review", NYr celeb (Tucker GA 12/31)
- 15295 USA WINB Red Lion, PA in EG 1945, ID, QTH, "signal down in mud" (Wallace MA 1/1)
- 15340 GABON R Japan relay in IT 2015, ID, nx, mx pgm, g (Serra ITALY 12/20)
- 15350 LUXEMBOURG RL in GM 1757, 60's rock mx, ID, nx, f w/QRM (Lamb 1/10) in EG 1808, anniversary of John Lennon's death, rx, strong QRM from SRI (Bickus VA 12/8)
- 15355 GABON R Japan relay in IT 0545, ID, nx, wx, //15170 (Serra ITALY 12/13) in EG 1516, "Let's Learn Japanese", ID, "Media Roundup" (Davenport TN, Lamb NY)
- 15365 AUSTRALIA RA in EG 2148, IS, ID, TC, "International Report" (Davenport TN 12/16)
- 15375 SPAIN REE in EG 1933, sports nx, co-channel QRM from KCB1 (Tucker GA 12/21)
- 15400 FINLAND RF in EG 1347, ID, press review, sked, mx, into FN, g (Poston IA)
- 15400 ASCENSION IS BBC relay in EG 1940, feature, sports (Tucker 12/21, Bickus 12/25)
- 15420 CYPRUS BBC relay in EG 1708, "Focus on Africa", many //s (Serra ITALY 12/16)
- 15430 SO AFRICA Channel Africa in EG 1755*, big band mx, IDs, TC, nx, fgys, "Panorama" (Bickus VA, Lamb NY, Westdal CA) in EG 0400, mx, sports (Tucker GA, Levison PA)
- 15450 PHILIPPINES FEBC in EG 2350, IS, ID, "Weekend Sunrise", nx, QTH, request letters pgm notes, Xmas mx (Rausch NJ 12/13, Clar NY 12/13)
- 15450 AUSTRIA RAI in EG 0852, "Questions from the Listeners", many //s (Serra 12/6)
- 15460 HUNGARY R France Int relay in FR 1700, tlk re FR econ, mx, nx, ID (Wallace 1/3)
- 15495 BOTSWANA VOA relay in EG 2133, ID, "World Report", finance nx, f-g (Lamb 12/29)
- 15650 GREECE VOG in EG 1530, ID, nx, cmntry, g sig but wk audio (Davenport TN 12/31)
- 15685nf USA WACR Tennessee in SP 2358*, relig pgm, sked, s/off in EG, g (Lamb NY 12/28)
- 15725nf USA KGBI Texas in EG *2200-0230*, ID, Dr Gene Scott service, varied mx, fgys (Alexander PA 12/19, Hardester NC 12/20, Lamb NY 12/29, McDonough MA 12/18)
- 17440 KIRIBATI R Kiribati in EG 0035, church svce, ID (Murray OR 12/20) in EG 1902, BBC nx?, C&W/pops/island mx, p (Valco PA 12/25, Clark ONT 12/20, Atkins WA 1/3)
- 17510nf USA WENN Alabama in CH 0054, relig pgm, flute mx, ID, sked, IS (Lamb NY 12/30) in CH? 0100*, prayers, ID, QTH, xmsn to China, f-p (Jordan PA 12/29)
- 17595 EGYPT R Cairo in EG 1217, AR songs, Koran translated into EG (Serra ITALY 12/8)
- 17575 ISRAEL Kol Israel in YI 1704, nx, wx, fgys, interview, //11605, g (Lamb 1/2)
- 17630 BBC Africa #1 in FR 1140, ID, "Le Musique African", g (Rausch NJ 12/28)
- 17725nf? USA WENN Alabama in EG 1932, testing w/organ mx & frequent IDs (D'Angelo 12/20)
- 17730 BRAZIL Swiss R Int relay in EG 0016, tlk re Swiss AV museum, ID, IS (Lamb 12/29)
- 17740 YUGOSLAVIA RY in EG 1230, ID, nx, cmntry, feature (Tucker GA 12/22, Frogde MI)
- 17770 GERMANY VOA relay in EG 0817, "New Horizons", site ID, mx, f (Lamb NY 12/20)
- 17785 JAPAN RJ Tokyo in VT/IN 2247, tlks, ref to Vietnam, VN mx, ID (Lamb 12/12)
- 17790 ASCENSION IS BBC relay in EG 1519, "Focus on Africa", nx, interviews (Tucker GA)
- 17860 ASCENSION IS BBC relay in EG 1710, "Focus on Africa", ID, //17880 (Serra ITALY)
- 21515 ITALY RTV Italiana in IT 1525, nx?, orch mx, tlks, ID, f (Jordan PA 1/3)
- 21520 PAKISTAN RP in EG 0821, ID, tlk, AR songs, //17900 (Serra ITALY 12/6)
- 21590 NETHERLAND ANPILLES R Nederland relay in EG 1940, documentary on tourism, political cmntry (Levison PA 12/9, Unruh WA 12/19)
- 21660 ASCENSION IS BBC relay in EG 1512, nx, ID, "Music with Kay" (Tucker GA 12/31)
- 21725 AUSTRALIA RA in EG 1049, "At Your Request", ID, mx, pips 1100, nx (Serra ITALY)
- 21740 AUSTRALIA RA in FR 2257, IS, xmsn info, pips, nx, vg (Karcheski MA 12/21)
- 25870 USA WFLA Tampa FL in EG 1500, MW relay? of "Radio 9-70" or what?? usual tlk show and mx pgms, call-ins (Newbury NE 12/2, Frogde MI 12/22, Galgano NY 12/19)
- 25900usb ITALY R Europe in IT 1416, mainly IT vocals, jingle, good ID 1418 but faint sig (D'Angelo PA 12/12) testing? in IT/FR? 1315, mix of FR songs & US pops, ads?, p "I have a nice tape of this mess I'd like to send someplace" (Berg MA 12/13)

CLANDESTINE STATIONS

- 6348 Echo of Hope-So Korea in KR 1150, vocals, orch mx, NA, g (Lawrence NY 12/31)
- 9942 La Voz del Cid-Guatemala in SP 2300, anti-Castro tlk, g (Bickus VA 12/25)
- 15140 Democratic V of Burma-Norway in Burmese *1429-1526*, tlks w/frequent mentions of Burma & Myanmar, mostly covered by HCJB (D'Angelo PA 12/12, Dexter WI)

ERRATA: David Carter wrote to correct an inadvertent fqy error in the November Journal. The log entry on p.41 reads: "6085 Australia VIQ9 etc." It was a copying error and should have read "9660 Australia VIQ9 etc." Ye Olde Editor places a ? after a new frequency item whenever the reporter(s) fail to indicate that it is indeed a new frequency and it does not necessarily signify that I am questioning the accuracy of the report.

English Schedules

Tom Sundstrom
P.O. Box 2275
Vincentown, NJ 08088-2275
MCI Mail 244-6376
Fax 609-859-3226
PICS Online RBBS 609-753-1549
GEnie T.SUNDSTROM



Prepared 1/25/93 at 9:29 PM.

This month, thanks to David Alpert (NY), Tim McFarland (OR), Jonathan Marks (RN) and Andy Sennitt (WRTH).

Notes

With the separation of the Czechoslovakian federation into two republics on January 1, R Czechoslovakia reverted to the name of **Radio Prague**, "the external service of Czech Radio." By mid-January Bratislava began test transmissions on some of R Prague's frequencies, but no English language broadcasts have yet appeared. January 1st also saw the closure of the Far East relays of R Vilnius' NAM service, leaving only 7150 at 00 UT.

WEWN, Alabama, got on the air December 28 with one transmitter but its regular programming was short-lived. The Continental transmitter had problems, and operations did not go well. The limited programming in a variety of languages is directed toward Europe, using a curtain antenna. The transmitter was taken off the air January 4 and may not return until late January or mid-February. The engineering problems to be resolved include (1) interference to local government and police radio systems on 159 MHz located on two repeaters some 10 miles away and (2) an excessively wide occupied bandwidth. Until the Continental engineers develop a fix, WEWN will be off the air except for occasional testing. After repairs and tests, the WEWN schedule is expected to be 00 UT 17510 kHz, 01 9825, 03 7520, 05 9355, 10-13 silent, 13 18930, 18 13740, 20 7465 and 22 5825. WEWN is off 7540, by FCC request, due to a complaint by USAF MARS. Additionally, legal problems also trouble WEWN. Lawsuits complaining of interference to televisions and telephones have been filed by area residents and businesses. Unrelated to the transmitter problems,

a newspaper article quoted on the January 23rd **HCJB DX Party Line** also indicated residents around the transmitter site are very unhappy with the destruction of the environment, the large towers and heavy power lines leading to the transmitter site.

On January 11 the Swedish government announced that the **R Sweden** budget would be cut by one-third by January 1, 1994. The Foreign Office proposal suggests that Swedish programming can be produced by the domestic service, and R Sweden's main task should be to produce programs for the Baltic Sea area. A suggestion has been put forth that the French and Spanish services would have to be closed. Virtually all other areas in programming and broadcasting would be effected. Needless to say, the Foreign Office announcement has caused despair and shock among R Sweden personnel. This story will evolve during 1993 as Parliament is lobbied and alternative sources of moneys are sought. Stay tuned.

With the retirement of David Hermges, on January 5 **R Austria Int'l** announced that *Shortwave Panorama* would be discontinued.

Glenn Hauser is soliciting funds from listeners and potential advertisers to start a new daily M-F 15-minute **DX** news show. Glenn will start *DX Daily* on February 1, on **Radio Miami International** via WRNO: 04 UT Tuesday-Saturday on 7395. The trial period will be four weeks. Based upon the support garnered, a decision on the continuance of the show will be made late in the month.

The **R Havana Cuba** USB frequency of 9815 may be extended to 05 UT, according to a January 23 announcement by **Arnie Coro**. **Spanish National Radio** moved *DX Spot* back to UT Saturday and Sunday. Don't forget that this month **R Norway** reverts to Sundays-only for English.

Authorized Dealer JRC & Skywaves Antennas	PC Software by W2XQ English Language SWBC Schedules JRC/Kenwood Receiver Control Utility Logbook	Send #10 SASE (2 IRCs) for catalog or download off the Pics OnLine! BBS at 609-753-2540.
--	--	--

TRS CONSULTANTS, PO Box 2275-NA, VINCENTOWN, NJ 08088-2275

English Language Schedules
 By Start Time, Changes Entered Between
 12/28/92 and 1/28/93
 Compiled by Thomas R. Sundstrom, W2XQ

Start Time (UTC)	End Time (UTC)	Country	Station	Freq. #1	Freq. #2	Freq. #3	Freq. #4	Freq. #5	Freq. #6	Freq. #7	Freq. #8	Target Area	Notes	Record Last Updated
0000	0200	Cuba	R Havana	9815	6010							eNAM	#1 USB-may run to 05	1/23/93
0000	0030	Lithuania	R Vilnius	7150								NAVEu		1/1/93
0000	0800	USA	WWCR/1	7435								Eu/ME/nAI		1/15/93
0030	0055	Belgium	R Vlaanderen Int'l	9930	7370							SAM/nAM		1/16/93
0145	0200	Vatican State	Vatican Radio	9650	7335							As/Aus/NZ		1/17/93
0200	0630	Italy	Italian Radio Relay	7125								NAM/nAus/NZ	test	1/1/93
0250	0315	Vatican State	Vatican Radio	7305	6095							NAM		1/17/93
0315	0335	Vatican State	Vatican Radio	9695								eAI		1/17/93
0330	1400	USA	KCBI	9815								Canb/SAM	140 deg	1/27/93
0400	0600	Australia	R Australia	21740	17840	17795	15365	15320	11880	11720		As/Pac/Pap/NG	#2->ME	1/29/93
0430	0535	Swaziland	Trans World Radio	11740	9655	5965					sAI			12/30/92
0500	0530	Vatican State	Vatican Radio	15090	11625	9695						e&sAI		1/17/93
0530	0600	Italy	AWR Europe	12060								Eu/nAI/ME	v Samara	1/1/93
0535	0700	Swaziland	Trans World Radio	11740	5965							sAI		12/30/92
0630	0900	Italy	Italian Radio Relay	7125								Eu/nAF/ME		1/1/93
0630	0700	Vatican State	Vatican Radio	15090	11625	9695						c&s&wAI		1/17/93
0700	0800	Swaziland	Trans World Radio	11740								sAI		12/30/92
0730	1130	Ecuador	HCJB	21455	11925	9745	6205					sPac *	#1 USB	1/24/93
0800	0820	Australia	R Australia	25750	17750	17695	15240	11720	9710	7240	6080	As/Pac/Pap/NG	#1->ME	1/29/93
0800	0820	Swaziland	Trans World Radio	11740	7200							sAI		12/30/92
0800	1100	USA	WWCR/1	12160								Eu/ME/nAI		1/15/93
0820	0835	Swaziland	Trans World Radio	11740	7200							sAI	Sa&Su	12/30/92
0830	0900	Australia	R Australia	25750	17750	17695	11720	9710	9580	7240	6080	As/Pac/Pap/NG	#1->ME	1/29/93
0930	1027	Netherlands	R Netherlands	11895	9860	9720	7260					Pace&seAs/FE&eAs	#183 Bonh#2&4 CIS	12/31/92
1000	1600	Italy	Italian Radio Relay	7125								Eu/nAI/ME	M-F irregular	1/1/93
1030	1130	Sri Lanka	SLBC	11835								Aus		1/10/93
1120	1130	Vatican State	Vatican Radio	21665	15210	11740	7250	6245				ME/Eu	M-F	1/17/93
1130	1225	Iran	V of Islamic Rep of	11930	11790	11715	9685	9525				ME/seAs/Ind/seAI/Aus		1/8/93
1230	1240	India	AIR	4860								Feeder Svc	news	1/29/93
1345	1405	Vatican State	Vatican Radio	17525	15090							As/Aus/NZ		1/17/93
1400	1700	Iraq	R Iraq Int'l	15250								sAs	Arabic/English	1/24/93
1400	2230	Italy	Italian Radio Relay	7125								Eu/nAI/ME	Sa	1/1/93

SHORTWAVE STATIONS OF THE WORLD

A production error in WRTH93 resulted in a section of the 60 meter band being omitted. Our apologies. Here are the missing details:

4800	100	LSO	LNBS, Maseru, Lesotho	50	MNG	Ulaanbaatar 1, Mongolia	
	50	RUS	Yakutsk, S	2.5	PRU	R.Amauta, Cusco, Peru (F.Pl.)	
4800.7	1.5	PRU	R.Onda Azul, Puno, Peru	1		R.Comercial Educativa, Peru	
4804.5	0.8		R.Villa Rica, Peru	50	UZB	Toskent 2, Uzbekistan	
4805	10	B	R.Dif.de Amazonas, Manaus	4850.6	2	EOA	R.Luz y Vida, Loja, Ecuador
	0.5		R.Itatiaia, Belo Horizonte *	4853	20	YEM	Yemen Radio & TV Corp, Sana'a
	0.3	INS	RRI Kupang, Indonesia	4855	2.5	B	R.Aruana, Barra do Garças
4808	0.25	BOL	R.Frontera, Yacuiba, Bolivia	5	BOL	R.Centenario, S.Cruz, Bolivia	
4808.9			R.Libertad, Santa Fé, Bolivia	4855.8	10	INS	RRI Palembang, Indonesia
4810	100	AFS	R.Orion / R.Suid Afrika	4856.7	0.75	BOL	R.El Cóndor, Uyuni, Bolivia *
	50	ARM	Yerevan, Armenia	4859.9	1	VEN	R.Maraçaiibo, Venezuela *
	100	RUS	Vladivostok, FE	4860	20	IND	All India Radio, Khampur
4810.2	3	PRU	R.San Martín, Tarapoto, Peru	50			All India Radio, Kingsway
4815.0v	10	B	R.Cabocla, Tabalinga, Brazil	1	PRU	R.Chinchaycocha, Junín, Peru	
	10		R.Difusora, Londrina, Brazil	1			R.La Hora, Cusco, Peru
	50	BFA	R.Burkina, Ouagadougou	100	RUS	Chita (Atamanovka), S	
	1	BOL	R.Nacional de Bolivia, La Paz	4860.4v	5	AGL	EP da Lunda Sul, Angola *
	500/120	CHN	China Radio International	4862.0v	3	ZAI	La Voix du Zaïre, Bukavu
		VTN	Ha Giang BS, Vietnam	4863.4		MOZ	Em.Nacional, Maputo
4819.7	3	EOA	R.Paz y Bien, Ambato, Ecuador	4864	10	INS	RRI Ambon, Indonesia
4820		CHN	Lhasa, China (Tibetan Prgr.)	4864.5	1	BOL	Em.16 de Marzo, Bolivia
	10	IND	All India Radio, Calcutta A	4865	5	B	R.Alvorada, Londrina (F.Pl.)
	50	RUS	Khanty-Mansiysk, S	1			R.Sociedade, Feira de Sant. *
			Unknown site, E	v	5		R.Verdes Florestas, Brazil
4820.2	5	HND	LV Evangélica, Honduras			CHN	Gansu 1, Lanzhou, China
4820.3v	10	AGL	EP da Huila, Angola	12		MNG	Sainshand, Mongolia
4820.8	1	PRU	R.Atahualpa, Cajamarca, Peru	5			Ulangom, Mongolia
4824.5	10		LV de la Selva, Iquitos, Peru	4865.1	5	CLM	LV del Cinaruco, Colombia
4825	10	B	R.Cançao Nova, C.Paulista	4867		INS	RRI Wamena, Indonesia
	10		R.Educadora, Bragança, Brazil	4870	30	BEN	ORTB, Colonoú, Benin
4825	50	RUS	*Yakutsk, S (w.)	v	100	BGD	R.Bangladesh Home Sce.
	50	TKM	Asqabat, Turkmenistan	4870.0v	10	CLN	SLBC Sinhala Comm.Sce.
4825.3	1	GTM	R.Mam, Cabricán, Guatemala	4870.7	1	PRU	R.Cosmos, Lirca, Peru
4826	8	IND	VVC, Calcutta (Time Sigs)	4871		INS	RRI Wamena (all.to 4867)
4826.3	0.7	PRU	LV de Canchis, Sicuani, Peru	4875	10	B	Super R.Roraima, Boa Vista
4828.0v	12	MNG	Altai, Mongolia	50		CHN	V.O.Jinling, Nanjing, China
4830	5	BOL	R.Grigotá, Santa Cruz, Bolivia	100		GEO	Tbilisi 2, Georgia
	50	BOT	R.Botswana, Gaborone	10	INS	RRI Sorong, Indonesia	
		CHN	China Huayi BC, China *	4875.1	10	BOL	R.La Cruz del Sur, Bolivia
		PRU	Estación Sivia, Huanta, Peru	4879.6	1	EOA	R.Nal.Espejo, Quito, Ecuador
	10	THA	R.Thailand Ext.Sce.	4880	50	IND	All India Radio, Lucknow
	10	VEN	R.Táchira, Venezuela	4881	0.3	INS	R.Suara Kasih Agung, Indonesia
4831.5v	3	CTR	R.Pelajo, San José, Costa Rica	4881.5	1	PRU	R.Nuevo Mundo, Pucallpa, Peru
4833	1	CLM	R.Buenaventura, Colombia	4883	500/120	CHN	China Radio International
4834.7	5	GTM	R.Tezulutlán, Cobán, Guatemala	4884.9	5	CLM	Ondas del Meta, Colombia
4834.8	1	PRU	R.Marañon, Jaén, Peru	4885.0v	1	B	R.Carajá, Anápolis, Brazil
4835	50	AUS	VL8A, Alice Springs, Australia	5			R.Clube do Pará, Belém, Brazil
	10	MLA	RTM Kuching, Sarawak, Malaysia	5			R.Difusora Acreana, Rio Branco
	100	MLI	Radiodif. -TV do Mak, Bamako	5/100	KEN	KBC No.Ea.8 Coastal Sce, Kenya	
4840		CHN	Heilongjiang 1, Harbin, China	4886	1	BOL	R.Sararenda, Camiri, Bolivia
	1	EOA	R.Interoceánica, Ecuador	4890.0v	5	EOA	R.Centínela del Sur, Ecuador
	10	IND	All India Radio, Bombay B	250	GAB	R.France Int. via Gabon	
	2	PRU	R.Andahuaylas, Peru	2	PNG	NBC Port Moresby, Papua N.G.	
4840.4	1	VEN	R.Valera, Trujillo, Venezuela	v	0.5	PRU	Dif.R.Huanta, Peru
4844.3v	2.5	GTM	R.K'ekchi', Guatemala	4890.3	1	R.	R.Chota, Peru
4845	250	B	R.Cabocla, Manaus, Brazil	4892.0v	100	SEN	ORTS Nat.Sce, Dakar, Senegal
	5	BOL	R.Fides, La Paz, Bolivia	4895	5	B	R.Baré, Manaus, Brazil
	1	CLM	Caracol, Bucaramanga, Colombia	5			R.IPB AM, Campo Grande, Brazil
	100	MLA	RTM R6, Kuala Lumpur, Malaysia	10	CLM	LV del Rio Arauca, Colombia	
	100	MTN	R.Mauritanie, Nouakchott	20	IND	All India Radio, Kurseong	
4845.1	1	B	R.Meteorologia Paulista	10	MLA	RTM Kuching, Sarawak, Malaysia	
4850.0v	1	AGL	EP do Uíge, Angola *	0.4	PRU	R.Chanchamayo, La Merced, Peru	
	100	CME	CRTV, Yaoundé, Cameroon	50	RUS	Tyumen, S	
	10	IND	All India Radio, Kohima A	v	VTN	Hanoi I, Vietnam	

4897.0v	12	MNG	Murun, Mongolia	4910.4v		CBG	Phnom Penh, Cambodia
4900		CHN	Haixia 2, China		0.5	HND	LV Ev.de la Mosquitia *
	1	EQA	LV de Saquisilí, Ecuador	4910.6	1	PRU	R.Libertad Trujillo, Peru
	18	GUI	Conakry, Guinea Rep.	4911	5	EQA	Em.Gran Colombia, Ecuador
4901	0.5	INS	RRI Surakarta, Indonesia	4914.5	10	PRU	R.Cora del Perú, Lima, Peru
4901.5v	0.5	BOL	R.San Ignacio, Bolivia	4915.0v	10	B	R.Anhanguera, Goiânia, Brazil
4902.0v	10	CLN	SLCB Sinhala Nat.Sce.		10		R.Difusora, Macapá, Brazil
4904.5v	100	TCD	Radiodiff.Nat.Tchadienne			CHN	Guangxi 1, Nanning, China
4905	1	B	R.Anhanguera, Araguaína		3	CLM	Armonias del Caquetá, Colombia
	5		R.Relógio Federal, RJ, Brazil		50/10	GHA	GBC-1, Accra, Ghana
	10	CHN	CPBS 2, China		100	KEN	KBC Central Sce, Nairobi
	1	PRU	R.La Oroya, Peru	4920	10	AUS	VLM4, Brisbane, Australia
4908	5		R.Twantinsuyo, Cusco, Peru		5	EQA	R.Quito, Quito, Ecuador
4910	50	AUS	VL8T, Tennant Creek, Australia		10	IND	All India Radio, Madras
	50	IND	All India Radio, Jaipur A	rv	1.2	NGC	R.RICA, Nicaragua (v.to 4900)
	7.5	MOZ	Em.Interprovincial, Maputo	4920.0v	1	PRU	R.Central, Bellavista, Peru
	50	ZMB	ZNBC Radio One, Lusaka, Zambia		50	RUS	Yakutsk, S

This file was received on January 8, 1993, from the Editor of the WRTH.

FOR SALE: MFJ-952 dual SSB/CW filter w/power pack and manual in good condition. Works fine. \$75.00 plus \$5.00 S&H. John T. Arthur, RD #1 Box 15A, Belfast, NY 14711. Phone (716) 365-8870.

NOTICE: If the gentleman that called me from Seattle on Jan. 9, 1993 about the Panasonic RF-2200 would send me his name and address, I would like to write to him. John Murphy, 201 W. Glencove Ave., Northfield, NJ 08225.

WANTED: Copy of the book "Shortwave Radio Listening With the Experts." and a Kenwood R600 receiver. Rick Krzemien, 5398 Concerto Circle, Concord, CA 94521. Phone (510) 687-2719.

FOR SALE: Hallicrafters S20R, SX25, BC221 frequency meter, old tubes and other gear. For list send SASE to Walter Kunz, 134 W. Drinker St., Dunmore, PA 18512. Will accept best reasonable offer.

WANTED: Schematic/manual for Gilfer M-1 Multi-tuner and Hallicrafters SX-122A receiver. FOR SALE: JRC NRD-535D with optional SSB filters and AM BCW control mod, \$1400.00. ALSO: Drake R-7 receiver with NB card and 5 filters, \$650.00. Can deliver to Winter SWL Fest. Alan Johnson, 6001 Goldsboro Rd., Bethesda, MD 20817. Phone (301) 229-7069 before 0300 UTC.

FOR SALE: FC-11 Fog Cutter passive audio filter in excellent shape, \$70.00 plus shipping. Has 1/8 plug receptacle and 2 Motorola jacks. Marino Wilson, 51 Broadway, Milford, CT 06460. Phone (203) 877-1173.

FOR SALE: ICOM R-71A, Gilfer customized with 4.0 kHz filter and pre-amp effective into AM band. In A-1 shape. \$595.00 including shipping. Customized Beam Headings (from/to) and Distances (MI/KM) to over 475 WRTH-92 transmitter sites including new Russian republics. ITU Country Codes included. Send your location or coordinates, \$6.95. WRTH-91, \$10.95. "Passport to World Band Radio" '89, '90, '92, \$6.95 each. NASWA Journal, '91 and '92 complete, \$10.50 each year or \$20.00 for both. All items include shipping. Cashiers check or money order, please. Al Drehmann, Route 2, Box 3-B, Tryon, NC 28782. Phone (704) 894-3398.

WANTED: Back editions of the WRTH. Looking for '89, '90, and '91. Scott Edwards, 11701 Regan St., Los Alamitos, CA 90720-4127. Phone (213) 583-9957.

NOTICE: Mike Hardester, 3118 Gaitway Court, Jacksonville, NC 28546-6973 has a load of old radio printed material from the 70's and 80's. Anyone interested can send an SASE to Mike at the address above.

The experts agree:

BEST

"Best Communications Receiver 1991. There's no doubt in the minds of the WRTH test bench team. High performance, excellent computer connectivity, and ease of use make this set a clear winner."

— *World Radio TV Handbook 1992*

STUNNING

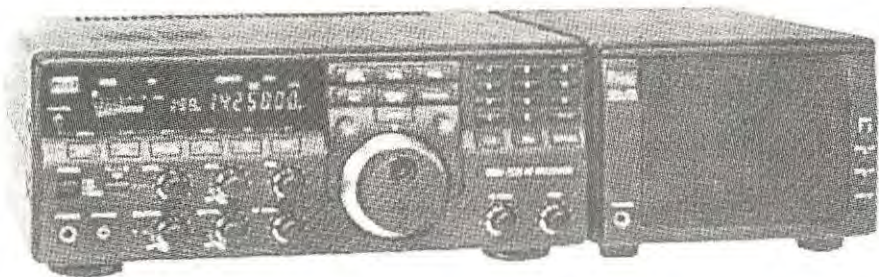
"Stunning... Fan-bloody-tastic! For someone into shortwave broadcast DXing, the NRD-535 would have to be the radio of choice over all others on the world market."

— *Amateur Radio Action (Australia), August 1991*

UNSURPASSED

"Unsurpassed DX performance, superb performance for everyday listening to programs, with worthy ergonomics and superior quality of construction. An exceptionally well-rounded receiver."

— *Passport to World Band Radio 1992*



NRD-535D

HF COMMUNICATIONS RECEIVER

Special Offer! FREE ST-3 HEADPHONES with purchase of NRD-535D receiver (from participating JRC dealers only).
(A \$77 value. Offer valid through 3/31/93)

JRC *Japan Radio Co., Ltd.*

430 Park Avenue • 2nd Floor • New York, NY 10022
Phone: (212) 355-1180 • Fax: (212) 319-5227

Japan Radio Company proudly supports the 6th Annual Winter SWL Fest

North American Shortwave Association
45 Wildflower Road
Levittown, Pennsylvania 19057

First Class Mail
U.S. Postage
PAID
Levittown, PA
Permit No. 319

FIRST CLASS MAIL



The Journal of the
North American Shortwave Association

ISSN 0160-1989

Executive Director: Bob Brown, KW3F
238 Cricklewood Circle, Lansdale, PA 19446

Publisher: Bill Oliver, 45 Wildflower Road,
Levittown, PA 19057

Executive Council: Jerry Berg, Bob Brown,
Dr. Harold Cones, Gerry Dexter, Glenn Hauser,
Don Jensen, Bill Oliver

EDITORIAL STAFF

Managing Editor: Bob Brown, KW3F
238 Cricklewood Circle, Lansdale, PA 19446

DXer's Forum: Send All Inputs to - 238 Cricklewood
Circle, Lansdale, PA 19446

Easy Listening: Richard Cuff, 213 Parkview Ave.,
Allentown, PA 18104-5323

NASWA Portraits: Jerry Klinck, 43 Lein Road,
West Seneca, NY 14224

Listener's Notebook: Dan Ferguson, P.O. Box 2604,
Dale City, VA 22193

Technical Topics: Joe Buch, N2JB, 2008 Mozart
Circle, Virginia Beach, VA 23454

QSL Report: Sam Barto, 47 Prospect Place, Bristol,
CT 06010

Distributing Editor: Vernon Hyson, 5410 Camp
Stewart Rd., Charlotte, NC 28215

Tropical Band Loggings: Sheryl Paszkiewicz, 1015
Green Street, Manitowoc, WI 54220

International Band Loggings: Wallace C. Treibel,
357 N.E. 149th St., Seattle, WA 98155

Scoreboard: Jerry Lineback, 6361 Shore Drive,
Douglasville, GA 30135

NASWA Awards: Dr. Harold Cones, 2 Whits Court,
Newport News, VA 23606

English Schedules: Tom Sundstrom, W2XQ
P.O. Box 2275, Vincentown, NJ 08088-2275

Listener's Library: Skip Arey, WB2GHA
P.O. Box 644, Waterford Works, NJ 08089

Destinations: Mitch Sams, 779 Galilea Court, Blue
Springs, MO 64014; Don Moore, 11434 140th St.,
Davenport, IA 52804-9538; Bill Kurrasch, 5607
Lincoln Rd., Ontario, NY 14519

Equipment Reviews: Alan Johnson, N4LUS
6001 Goldsboro Rd., Bethesda, MD 20817

Radio Stamps: Neil Carleton, P.O. Box 1644,
Almonte, Ontario K0A 1A0, Canada

The Company Store: Fred Kohlbrenner, 2641 S.
Shields St., Philadelphia, PA 19142

MEMBERSHIP FEES:

North America (First Class Mail) \$25.00
Overseas (Air Mail):

Central America, Caribbean, Venezuela
& *Columbia* \$29.00

South America and Europe \$29.00

Asia, Africa and Pacific \$32.00

All remittances must be in U.S. funds and mailed to:

NASWA
45 Wildflower Road
Levittown, PA 19057
U.S.A.

