

FRIENDX

Radio
Berlin
International
The Voice of the
German
Democratic
Republic



RBI
QSL

WBS-110M1982



FRENDX CREDITS

THESE CREDITS INCLUDE CONTRIBUTORS TO LOG REPORTS ONLY. CONTRIBUTORS TO LISTENERS NOTEBOOK, UPDATE, SHORTWAVE CENTER, QSL REPORT AND OTHER SECTIONS OF FRENDX ARE NOT LISTED. THEREFORE, THIS LISTING IS NOT COMPARABLE TO CONTRIBUTOR COMPILATIONS FOUND IN OTHER CLUB BULLETINS.

These members contributed to this months Log Reports:

Brian Alexander, Mechanicsburg, PA (FRG-7700mod, R-4); Wayne Alsbrook, Searcy AR (RF-2600, DX-300); Ray Bauernhuber, Rosedale, NY (RF-2800); David Benner, New Haven, IN (RF-4800); Chuck Bolland, Lakeworth, FL (FRG-7000, DX-160); Arthur Bonnet, West Lafayette, IN (DX-302); John Boone, Spring, TX (RF-2600); Ken Briscoe, New Albany, IN (RF-2900, Transoceanic); Paul Brouillette, Sault Saint Marie, MI (DX-160); Paul Buer, Miami, FL (SPR-4); Leslie Byron, Laurelton, NY (Patrolman 9); Brain Cartwright, Johnstown, PA (R-390); Jose Castrillon, Edinburg, TX (Patrolman 9); Tony Cliff, Campbellville, ON (ICF-2001); Ken Cobb, Portland, ME (RF-4900); Charles Connell, Fort Bragg, CA (CRF-320, RF-2900); Larry Cunningham, Columbus, OH; Gordon Darling, Reading, UK (SAIT MRL411); Ken Earhart, Allentown, PA (NRD-505); Gene Eastman, Huntsville, TX (FRG-7, ICF-2001); Richard Eckman, Rockford, IL (RF-4900, S-40A); E. Feinberg, New York, NY (RF-2900); Marlin Field, Hillsdale, MI; John Fisher, Chelmsford, MA (GPR-90); Leo Fitzpatrick, Chelmsford, MA (FRG-7000); Jay Florian, Round Lake, IL (SPR-4); Karl Forth, Chicago, IL (HQ-160, RF-2900); Bob Fraser, Cohasset, MA (XCR-30, CRF-5100); Pete Grenier, Azusa, CA (FRG-7); N.C. Grosvenor, Los Angeles, CA; Tim Hall, Bonita, CA; James Halsema, Glenmoore, PA (ICF-6700W); Glenn Hauser, Knoxville, TN (FRG-7 x 2, R-390A, ICF-2001); Baxter Hensley, El Paso, TX (FRG-7mod, SX-190); Ruth Hesch; White Plains, NY (R-1000); Emmett Hoffmann, St. Louis, MO (51S-1, R-1530); Jack Jones, Jackson, MS; Rufus Jordan, Pittsburgh, PA (DX-302, Transoceanic); Stu Klein, Edison, NJ (DX-160, ICF-2001); Joseph Kononchik, Ledyard, CT (DX-302); Chris Leithner, Brentwood, TN; Tim Lilley, Westover, WV (S-38); Jerry Lineback, Houston, TX; Rick Lucas, Stockton, CA (R-1000); Sandra Manning, Old Laguna, NM (FRG-7700); Jerry Marano, Binghamton, NY (RF-4900mod); Brett Marker, Rockford, IL (CRF-320); Eric Mayer, Ashland, OH (RF-4900); Gilles Michaud, Laval, Quebec (FRG-7); Leigh Morris, Adelaide, South Australia (SPR-4); Serge Neumann, Phoenix, AZ (HQ-180AC); Mike Nikolich, Chicago, IL (HQ-180, SPR-4, SX-190); James Posporellis, Troy, NY; Bill Potorti, Reno, NV (FRG-7); Martin Potter, Limoges, ON (R-4C, SB-310); F. Rapillo, Buffalo, NY (RF-2600); Stewart Reed, Baton Rouge, LA (FRG-7); Andy Reid, Peterborough, ON (S-53A, DX-60); Steve Reinstein, Miramar, FL (RF-4900mod); Christos Rigas, Chicago, IL (VEF-206); Francis Roach, Southbridge, MA (DX-302, R-390-A); Lin Robertson, Littleton, CO (FRG-7mod); Mitch Sams, Farmington, AR (FRG-7); Brian Sarkisian, Jasper, MI (RF-2600); Bryan Sharpe, Castro Valley, CA (DX-302); Clayton Shortridge, Fort Wayne, IN (R-1000, DX-302); Todd Smith, Wilton, CT; Donald Stidwell, Baltimore, MD (DX-302); Jim & Nan Tedford, Grand Rapids, MI (RF-2900, RF-2600); Ron Tekulve, Harrison, OH (GE 10-band); William Terrell, Jacksonville, OR (DX-302); Glenn Thompson, Deming, NM (FRG-7); Dave Valko, Dunlo, PA; Daniel Viens, Hudson, NH (DX-300); Bill Wildes, Birmingham, AL (R-4C, R-1000); John Wilkins, Wheat Ridge, CO (R-1000); Bob Zilmer, Rio Rancho, NM (R-1000, ICF-5900W).

Please remember that the deadline for Log Reports is the 12th of the month. Also, please cut your log slips apart and include a signature slip so you can be listed among the contributors.

Welcome back to Serge Neumann, who's been missing from the pages of FRENDX for some time. Welcome, also, to overseas member Leigh Morris, Adelaide, South Australia. We hope to see loggings from both of you on a regular basis.

73 de tc,

Terry

8120 Ripplewood Drive
Austin, TX 78758

NASWA

HEADQUARTERS REPORT

NORTH AMERICAN SHORT WAVE ASSOCIATION

45 WILDFLOWER ROAD, LEVITTOWN, PA. 19057

HCJB NEWS RELEASE: At HCJB in Quito, Ecuador we are considering adding a small transmitter operating in the Single Sideband Mode. Some feel that we should use the upper sideband with suppressed carrier and operate on our 21480 kHz frequency in the 13 meter band. It would be quite interesting to demonstrate the advantages of SSB to the International SW Listeners by broadcasting in this mode, but before we can proceed I need your help to determine if HCJB's listeners will be able to tune in to the SSB broadcasts. Please send me a note with the following information:

1. Do you have general coverage receiving equipment equipped to receive the SSB mode?
2. What bands or frequencies does your receiver cover?

I am looking forward to hearing from you. Thanks. J.H. KINARD, ENGINEERING DEPT., RADIO STATION HCJB, CASILLA 691, QUITO, ECUADOR.

NOTE: To save postage, the information requested above may be sent to NASWA Hq. and I will forward it.

USDXA NEWS RELEASE: The United States DX Association (USDXA) is the result of a merger of three established clubs - The Southern SX Assn., Atlantic States DX Assn., and the Association of Illinois DXers. We feel this action will provide our members with improved service. Every month members will receive "The Signal", a 44-page bulletin covering MW, SW, and TV/FM. A mid-month flash sheet will also be provided. A sample copy is 50¢ or two IRC's worldwide. Write to USDXA, P.O. BOX 888653, ATLANTA, GA 30338.

KURZWELLEN-PRESSEDIENST NEWS RELEASE: The weekly German "SW Press Service" is celebrating its first anniversary on Feb. 28, 1982. For that reason we will begin a contest for SW listeners at the beginning of 1982. For information write to KURZWELLEN-PRESSEDIENST, WEENDER STRASSE 30, D-3400 GOTTINGEN 1, FEDERAL REPUBLIC OF GERMANY.

FOR SALE: Ameco PLF-2 preamp for \$20.00 plus shipping. Also included is a defunct PLF-2 for parts. Mike Agner, 301 N. Progress Ave., Harrisburg, PA 17109.

FOR SALE: I have an excess of old radio vacuum tubes and will be putting them up for sale. If you need a tube for your antique receiver, write to Ron Boucher, 376 Cilley Road, Manchester, NH 03103 for a list.

FOR SALE: FRG-7, Gilfer modified, with GAR-7 LED readout. Like new with manual and original carton. Price \$250.00 including shipping. ALSO a good Drake SW-4A, \$150.00 shipped. ALSO new CB base transceivers at a steal. William H. Moore, 11411 N. Garfield, Waynesboro, PA 18267.

WANTED: Copy of "The Gray Line Method of DXing" in the September, 1975 issue of CQ magazine. Will pay cost of reproduction and postage. Jack R. Jones, 304 Robinhood Road, Jackson, MS 39206.

FOR SALE: Heathkit SW-717, 1½ years old and in excellent condition. Price \$80.00 UPS paid with manual. George Mamoulides, 7204 Catamount Ct., Raleigh, NC 27609. Phone (919) 847-0779, not collect.

NOTICE: The SW publication from West Germany called "International Listening Guide" will be available through me. The Nov. 1981 issue is available for \$1.25 in North America. A one-year subscription (four issues) can be ordered through me for \$4.75, Air Mail direct from Germany. This offer is for U.S.A. and Canada only. Rob Harrington, P.O. Box 3434, Littleton, CO 80161-3434.

FOR SALE: Collins R-390A in excellent condition with complete military manuals and spare ballast tube. Going cheap due to shack clean-out and move. No trades. Andy Robins, c/o WMUK, Western Michigan University, Kalamazoo, MI 49008 for more information.

shortwave CENTER

A Chronicle of DX Articles,
Interviews, and Opinion



Gerente: John J. Moritz Jr., 4779 Pine Trace, Youngstown, Ohio 44515

January 1982 Edition

Hola! Hope you had a great holiday season and welcome to the new year! Happy birthday to my son, Jeffrey John Moritz, who will be five on January 10th. He is turning into quite a dxer, if he would just not pull the knobs off the Hammarlund, hi! Lots of good things in store for you all this month.

Hawaii Calls. by Robert Fraser

Every so often, I hid myself into Boston, usually to the Public Library to satisfy some curiosity. Recently, I was reliving my childhood, re-reading newspapers of the mid-1940's. Going down the radio page of a 1947 newspaper, my eye was caught by the mention of "Hawaii Calls", a program carried by the now long gone radio station WNAC, the Mutual Broadcasting System's outlet in Boston. In my mind, I once again heard the familiar twanging steel guitars and the booming island surf, so different from New England's crashing waves. And the peculiar fading-distortion which has become so common to me in my few years as a SWler. The many thousands of Stateside listeners probably never realized that they were hearing SW at its best.

SW relays were somewhat common during WWII to the radio listener. At least one newscast a day featured an "on the spot eye-witness account" of some action. Most noted was Edward R. Morrow and his sepulchral voice announcing, "This is London".

It took some letter writing before I got most of the story. The National Association of Broadcasters library sent photocopied pages from three sources: "Tune in Yesterday" by John Dunning (the best), "The Big Broadcast" by Frank Buxton and Bill Owen, and "Radio's Golden Years" by Vincent Terrace.

"Hawaii Calls" was created by Webley Edwards who was also its producer and director. In 1934, he heard a SW transmission from Hawaii and felt he could do better. His effort was first heard on the West Coast in July, 1935. Edwards was also the host-commentator and assistant director Jim Wahl was the announcer. The half-hour long musical variety program featured only Hawaiian and Hawaiian type music. The regulars included Harry Owens, Hi'o Hattie, Danny Kinclair, Alfred Apaka, and Al Kealoha Perry and His Singing Surfsiders.

Edwards made the program very insular and it was introduced as coming from "right under the banyan trees with the famous Diamond Head in the background" and "as the sun sinks slowly in the west". In fact, throughout the program, a sound man stood at the water's edge with an open microphone. The program was produced from various places on the island. Its longest tenure was at the Banyan Court of the Moana Hotel in downtown Honolulu, then a much smaller city.

The Hawaii State Library added that the program was first carried by KGMB, Honolulu (now KSSK) and later by KHON, Honolulu (which no longer exists). But Mrs. Hagiwara, the librarian, found no information about the SW relay in the files.

"Hawaii Calls" remained a somewhat local program until 1945, when MBS picked it up as a network show. (I didn't get anything if the program was off during the war years.) Mutual continued it as a network program until the mid-1950's. At this time, everything was moving into TV. Dunning says "Hawaii Calls" continued on as a local radio program into the 1970's.

Here, the program was heard at 7:30 p.m. Thursdays. Dunning says that it was broadcast Saturday evenings but that must have been in its earliest days. Saturday evenings here was for "The Grand Ole Opry" from Nashville, then a network program and one I get every so often when I receive WSM, Nashville.

"Hawaii Calls" was one of my grandmother's most favorite radio programs, probably as here youngest son was stationed there in WWII. The war bringing Hawaii and the Pacific area to the attention of America may have been amajor reason why a big network picked up this show. Admittedly, my tastes at this time ran to "The Lone Ranger" and the likes of Fred Allen and Red Skelton.

One "Hawaii Calls" program still stands out vividly in my memory. In the early part of the program, the announcer would shed his shoes and stockings, hand his mike to an assistant, take a large three or four foot high thermometer, and wade out into the water. After a few minutes of quiet except for the wind swishing through the banyans and the boom of surf, he would again take the mike and announce the water's temperature to the nation. Usually it was in the mid-70's and supposedly was to impress us in the northern U.S. listening to the program on some bitter cold winter night.

The incident I recall started out the same way. But this time, the quiet was suddenly broken by gales of hysterical laughter from the live audience. When the laughter finally died down, a breathless announcer told the puzzled radio listeners what had happened. While he was bending over dunking the thermometer, a wave snuck up and dunked him. He took it good-naturedly but thereafter, a giant Hawaiian, OX I believe his name was, was delegated to take the water's temperature.

INDEX TO SHORTWAVE CENTER 1981

By David K. Maxfield

	<u>Month</u>	<u>Page</u>
ACCESSORIES		
MFJ's Mobile Converters (Smith)	May	14
New Watches on the Market for DXers/SWLers (Wilson)	Dec	5
Presselector DP-40 (Foxworth)	Jan	10
ANTENNAS		
Antenna Restoration and Preservation (Robins)	June	8
The Helicoidally-Wound Vertical Antenna (Perdue)	Dec	12
A Short But Very Efficient 60 Meter Antenna (Perdue)	June	14
Some Plain Talk About Antennas (Perdue) Feb 16, Apr 9, June 9, Sept 6,	Oct	5
DXING/SWLING		
El Calendario de los DXistas (Ferry)	Dec	9
Computer DX? (Ferguson)	Feb	11
DXing the Soviets (Dexter)	Oct	3
DX Programs: Treasures or Trash (Berg)	Apr	2
Early SWling (Halsema)	Aug	11
European Continental DXer Award (Ferguson)	Dec	8
QRP (Whitacre)	Nov	11
Shortwave Radio and "Real Life" (Robins)	Dec	11
Smiles Across the Miles (Robins)	Apr	9
Those Were the Days, My Friend, 1933-1935 (Tuchscherer)	Oct	6
DX SMORGASBORD (Ferguson)		
DXing Kenya (Mar 11)--DXing Central America (Apr 10, June 10)--DXing Guyana, etc. (May 7)--Old Log Reports (July 9)--DXing Nigeria (Aug 10)--DXing Australia (Sept 12)--NASWA 41, 60, 90 Meter Surveys (Oct 14)		
ENGLISH LANGUAGE BROADCASTS TO NORTH AMERICA (Legg)		
November 1980 to February 1981	Jan	5
May 1981 to August 1981	July	5
INDEX TO SHORTWAVE CENTER 1980 (Maxfield)	Feb	4
IT SOUNDS TO ME (Sizer)		
US Commercial SW Stations, Jan 8 (Feedback Mar 13)--Future of SW, Feb 6 (Feedback Apr 12)--Favorite SW Countries, Mar 12--Scatter Shooting, Apr 12 (Feedback June 12)--Female SWLs, May 4 (Feedback July 11)--Pop Music on SW, June 11 (Feedback Aug 13)--SW and World News, July 10 (Feedback Sept 13)--DXing in Summer, Aug 12--Tape Verification, Sept 13 (Feedback Nov 6)--SWL Pluses and Minuses, Oct 13--VOA and AFRTS, Nov 5 (Feedback Dec 7)--SWLs and DXers, Dec 6--1980 Feedback, Jan 9 (Equipment), Feb 7 (QSLs)		
LITERATURE		
Convenient Way to Index Your WRTVH (Foxworth)	Jan	9
Guidebooks for the Armchair Traveler (McNeil)	Feb	9
Improving Your Use of the WRTV Handbook (Creamer)	Nov	1
Note from the Radiogram Kid (Larell)	Sept	9
Using the World Radio TV Handbook (Berg)	May	2

NORTH AMERICAN SHORT WAVE ASSOCIATION

A History of NASWA (Jensen)

1. The Early Years, 1961-1966	June	2
2. The Middle Years, 1967-1972	Aug	2
3. Then 'Till Now, 1973-1981	Nov	2

SHORT WAVE CENTER INTERVIEWS (Moritz)

Glenn Hauser (Jan 2)--Ian McFarland (Mar 2)--Larry Magne (May 8)--
Carsten Wiedemann (June 4)--Gordon Darling (Aug 5)

SPANISH LANGUAGE

Concerning the Spanish Language (Cole)	Apr	12
Oventes' Guide to Beisbol (Ferry)	Aug	13

STATIONS

The Best Laid Plans (Dexter)	Nov	4
Dropping In on Radio Cusco (McNeil)	Sept	11
Namibia: A Shortwave Story (Dexter)	Apr	14
On the Road in South America; Peru (McNeil)	June 13, Aug	4
Radio Baha'i (Field)	June	5
Stasiun Bilong Papua New Guinea (Dexter)	Sept	4
A SW Short: The King of Hope (Sizer)	June	8
A Visit to the Iceland State Broadcasting Service (Nickolich)	Dec	1
Visiting R. Citadelle and LV de la Libertad (Golden)	Nov	10
WRNO Update (Spalding)	Oct	11

STATIONS, CLANDESTINE

Cuban Clandestines (Dexter)	July	2
-----------------------------	------	---

STATIONS, PIRATE

Yet Another Word About Pirates (Campbell)	Mar	9
---	-----	---

STATIONS, UTILITY

Miller's Detractors (Newkirk)	Aug	7
"Those #17# Little Buggers" (Cu cura)	Nov	7

VACUUM TUBES

See "Tube of the Month" with each "Vintage Vignette"

VERIFICATION

Kiribati Counts (Jensen)	Oct	12
Noise and Reporting (Martins)	Feb	2
My Favorite QSL: Sparks (Jan 13), Field (Feb 5), Howard (Mar 10), Wood (May 1), Levesque (May 14), Foltz (June 9), Wolfish (July 8)		
SWC Latin American QSL Survey (Klein)	Feb	8
When a QSL is Anything But (Perry)	July	14

VINTAGE VIGNETTES (Taylor)

SM Round-the-World-Four (Feb 3)--Regenerative Receiver (Mar 8)--
Hallionrafters SX25 (Apr 8)--Restoring Vintage Sets (May 12)--
Silver's Masterpieces I (June 6)--QSD (June 16)--National "AGS"
(July 12)--Basics of Thermionics (Aug 8)--Hallionrafters Model List
(Aug 8)--Silver's Masterpieces II (Sept 7)--Short Wave Sounds 1940
(Oct 10)--Adapters for Testing Older Tubes (Nov 8)

"WORLD RADIO TV HANDBOOK"

Gilfer Associates is making a pre-publication offer on the 36th edition of the WRTVH. If you order your copy from Gilfer before January 15th you can receive it via UPS for \$14.95. If you want to receive it via UPS "Blue Label" air service the price is just \$16.50. The address is Gilfer Shortwave, P.O. Box 239 (52 Park Avenue), Park Ridge, NJ 07656. For speedy and dependable service on your copy of the WRTVH we can recommend from past experience the fine folks at Gilfer.

Also, to coincide with the release of the 36th edition of the handbook Shortwave Center will have a special interview with the people in charge, namely Jens Frost and Andy Sennitt. You will not want to miss the interview and you will not want to miss out on the new WRTVH. Why not order yours today?





VINTAGE VIGNETTES



WDX3UPA Bill Taylor, Box 132, Unionville, PA 19375

EARLY BROADCASTING HISTORY

One of the first European countries to advance into the modern era of telecommunications was Hungary. While their first regular broadcasting schedule commenced over Radio Budapest in 1925, the experimental work had been conducted as early as 1923. The people of Budapest had been indoctrinated to electronic programming, however, since 1894!!

Balkan musak was transmitted over a "telephonograph" system beginning in 1894. The inventor of this system was a man named Tivadar Puskas. He broadcast his programs to various subscribers over a telephone-like network from a fourth-floor apartment that would later come to house the first studios of Radio Budapest. These news and musical programs were the first of their kind to be disseminated to an audience. Yet there remained a fly in the ointment. Just as with cable TV today; a reliance upon land lines put a limit upon the geographical area that could be efficiently covered. One minor footnote: Puskas later collaborated with a man named Edison who assuredly claimed that there was an exceedingly poor future for radio, in that, one could never reproduce clear musical tones through the use of electro-magnetically transmitted signals. Poor fella never thought of FM. (He also had a vested interest in something called a phonograph.) But, back to Budapest.

Wireless broadcasting began in earnest in 1923 when the Hungarian Experimental Post Institute first instituted tests of radio telephony. These experiments were followed in 1924 by attempts at reception of foreign broadcasts on a one tube regenerative set. With their feet on the ground, and their hopes in the ionosphere, the engineers began to set their antennae in early 1925. On December 1, 1925 radio station PKI went on the air with a 2 Kw transmitter on Csepel Island in Budapest. In their first year, their subscribership was to climb from 15,000 to over 50,000. It is rather interesting to note that most of these listeners built their own sets from kits and parts.

As broadcasting continued to grow and develop, the Hungarians continued to keep in step. A new 3 Kw transmitter was installed in 1927 and the daily broadcasts were lengthened from 4 to 10 hours. The postal service also began the installation of a 20 Kw station in that same year; and, on April 7, 1928, the big Telefunken went into service. As the world marched toward the Second World War, the Hungarians were after another first.

Budapest One was the first "super station" to go on the air. Affectionately known as the "Giant of Lakihegy", this transmitter operated at a cool (water cooled, that is) 120 Kw from an antenna that was 314 meters high. With this great height and power, Budapest One was able to reach the entire country twenty-four hours daily. It operated from 1933 until its capture by the Nazis; for the duration. During this same period, Budapest Two began transmitting on the old 20 Kw rig on the shortwave bands; thus establishing a foreign service.

Following the war, Radio Budapest began to rebuild to its present service. Radio One carries talk features, news and analyses on mediumwave. Radio Two carries entertainment and long-running features, also on mediumwave. And, finally, Radio Three carries FM stereo rock, folk and jazz. The international service, of course, carries a blend of the programming from Radio One and Radio Two in addition to its own fare. The broadcasting system consists of 26 modern studios that service more than 2,500,000 subscribers, in Hungary, and millions more outside the country.

Some good points to remember ... the Russians weren't first at everything. They just claim to be.

BUILDING YOUR OWN

A BEGINNER'S CRYSTAL SET

Several people have written asking for some simple construction projects. In future issues we'll feature some ideas on simple TRF sets and power supplies, pre-amps and regens. If you can get into the warm glow of a tube in your shack; if you can appreciate keeping your mug warm sitting over the "finals"; give some of these a try.

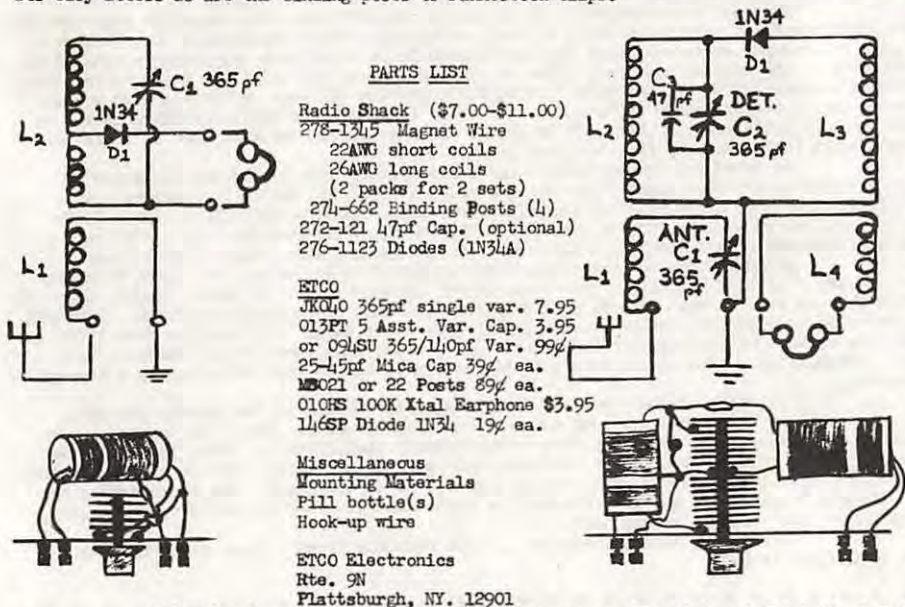
The simplest type of receiver to reach popular usage was the crystal detector unit. This uncomplicated unit used a piece of galena or carborundum to filter out the HF carrier from the AF portion of the transmitted signal. These detectors were utilized in the early commercial wireless gear where they replaced the inefficient "coherer" iron filing types. The crystals saw their heyday from 1900 until 1930. Their biggest years were just following World War I.

The following circuits may be mounted on a board and panel, or you may wish to mount them in a nice wooden box. Remember to mount the two coils in different planes at 90° divergence in order that they not be inductively coupled. You must use a crystal-type earphone, longwire antenna, and a good earth ground. Ready? Let's go.

After you have ordered your parts (see list below), you should get your aerial and ground ready. Your box or board must be readied next. A piece of 1 X 6 hardwood works very well for a base. The front panel may be made from phenolic or acrylic plastic. You must wind your own coils for this project. The first schematic is more basic and it requires only one coil. The second option is for those of you interested in the deluxe model which requires two coils for more selectivity.

The coil forms are plastic pill bottles 1 7/8 inches in diameter. Holes for beginning and ending coils may be made with a hot needle to puncture the bottle. The first hole should be made approximately 1/4 inch from the bottom of the bottle. Insert about six inches of wire into the bottle for a lead, and begin wrapping. The magnet wire may be held in place by lightly remelting the hole with the needle. The coil turns must be kept tight. Place 25 turns for the primary; place a hole tight to the coil; pull the wire into the hole for another six inch lead; and anchor the wire with the needle. Leave a space of about 1/8 inch, then make a hole to begin the secondary coil. Follow the same procedure as for the primary. When you reach the 25th turn however, you must tap in your diode or cat whisker (for the simple model only). Then finish wrapping your eighty turns and end the coil.

The simple set uses a single gang 365pf variable condenser. The more complex model uses a double gang 365pf variable. These will facilitate the tuning of the circuit. Install the coil by putting a screw through the bottom of the pill bottle and mounting it to the base. If two coils are used; mount one to the base and the other to the panel. The condensers (capacitors is their new-fangled name) are mounted through the front panel for easy access as are the binding posts or Fahnestock clips.



A few final notes on the kit. The coils are roughly 40mH and 210mH (L1 & L2). It is generally a good idea to make an extra turn or two on these coils. They may then be shorted back a turn or two to fine-tune them if necessary. The wavetrapp arrangement in the more complex model serves two purposes. L1C1 is in series to shunt higher frequencies to ground; while L2C2C3 are arranged in parallel to freely pass a desired frequency as it impedes other unwanted ones. Be sure that you have a good ground.

Well, cutta space again. I apologize for missing last month. I've been a bit behind the ball. But with Christmas now past, I've got it together again. 73's

Compiled by Roger Legge, Box 232 McLean, VA 22101

TO EASTERN AND CENTRAL NORTH AMERICA

MORNING

EST	GMT		
5:00-7:00am	1000-1200	Moscow, USSR	9600h, 15135
6:00-7:50am	1100-1250	Pyeongyang, N. Korea	9977
6:00-8:00am	1100-1300	Melbourne, Australia	9580
6:00-8:30am	1100-1330	London, England	9510c, 11775w, 15070
6:05-8:00am	1105-1300	TWR, Bonaire, NWI	11815
7:00-7:30am	1200-1230	Helsinki, Finland	15400, 21475
		Jerusalem, Israel	17612, 21495, 21760
7:00-7:55am	1200-1255	Peking, China	9820
7:00-10:00am	1200-1500	Moscow, USSR	11840h (from 13), 15135, 15150, 17810
7:00-10:30am	1200-1530	HCJB, Quito, Ecuador	11740 (to 1430), 15115, 17890
7:30-7:45am	1230-1245	Athens, Greece	17830, 21455
7:30-8:00am	1230-1300	Vienna, Austria	21655
8-8:20am M-F	13-1320 M-F	Montreal, Canada	9575, 11955
8:00-8:30am	1300-1330	Helsinki, Finland	15400, 21475 (Su. to 1430)
8:15-8:45am	1315-1345	Berne, Switzerland	21570
8:30-9:00am M-F	1330-1400 M-F	Brussels, Belgium	21525
9:00-9:30am	1400-1430	Stockholm, Sweden	21615
9:00-9:30am Su	1400-1430 Su	Oslo, Norway	17840
9am-12 N Su	1400-1700 Su	Montreal, Canada	11955
11am-12:15pm	1600-1715	London, England (Sa/Su 15-1745)	15250o, 17830e
11:00-11:30am Su	16-1630 Su	Oslo, Norway	21655

AFTERNOON

12 n - 5:00pm	1700-2200	Moscow, USSR	11840e, 11860 (to 2100), 12010
1:00-1:30pm Su	1800-1830 Su	Oslo, Norway	17840
3:00-3:30pm	2000-2030	Jerusalem, Israel	9815, 11640, 11960, 12025

EVENING

5:00-6:00pm	2200-2300	Ankara, Turkey	9560
		Moscow, USSR	600h, 7115, 7165, 7440, 9610, 9685
5:00-7:30pm	2200-0030	London, England	5975, 6175w, 9510, 15260a
5:30-6:00pm	2230-2300	Jerusalem, Israel	7412, 9815, 11640
5:30-6:30pm	2230-2330	Sofia, Bulgaria	9700, 11720
6:00-6:30pm	2300-2330	Stockholm, Sweden	9695, 11705
		Vilnius, Lith.SSR	7150, 9750
6:00-8:00pm	2300-0100	Montreal, Canada	5960, 11850
6:00-8:30pm	2300-0130	Moscow, USSR	600h, 7115, 7165, 7195, 7215, 7440, 9600h (from 0000), 9610, 9685, 9765, 9800
6:00-10:30pm	2300-0330	London, England	5975, 6120e, 6175w, 7325, 9510, 9590e (to 0030), 15260a
6:45-7:45pm	2345-0045	Tokyo, Japan	15300, 17825
7:00-7:30pm	0000-0030	Jerusalem, Israel	9815, 11640, 15585
		Tirana, Albania	7065, 9749
7:00-7:30pm Su	0000-0030 Mo	Oslo, Norway	11870, 15135
7:00-8:00pm	0000-0100	Sofia, Bulgaria	9700, 11720
7:00-9:00pm	0000-0200	Madrid, Spain	9630, 11880
7:00-10:00pm	0000-0300	Peking, China	11650, 15120, 15520 (to 0200)
7:15-8:00pm	0015-0100	Brussels, Belgium	9870
7:30-8:00pm	0030-0100	Kiev, Ukrainian SSR	7150, 7205, 9750
7:30-9:00pm	0030-0200	HCJB, Quito, Ecuador	9745, 15155, 17880
8:00-8:15pm	0100-0115	Vatican City	6015, 9605, 11845
8:00-8:20pm	0100-0120	Rome, Italy	9575, 11800
8:00-8:30pm	0100-0130	Buenos Aires, Argentina	11710 (not Sun. EST)
		Jerusalem, Israel	9815, 11640, 15585
		Montreal, Canada	5960, 11850
		Berlin, DDR	9730, 11975
8:00-8:45pm	0100-0145	Cologne, Germany	6040w, 6085, 6185, 9545w, 9565, 9590a, 11865m, 15105m
8:00-8:50pm	0100-0150	Prague, Czechoslovakia	5930, 7345, 9540, 9740, 11990
8:00-11:50pm	0100-0450	Havana, Cuba	11930

8:30-8:45pm	0130-0145	Athens, Greece	9515, 9655, 11730
8:30-9:00pm	0130-0200	Tirana, Albania	7120, 9749
		Vienna, Austria	5945, 9770
8:30-11:00pm	0130-0400	Moscow, USSR	600h, 7115, 7165 (to 03), 7195, 7215 (to 03), 7440, 9600h, 9610, 9685, 9700, 9765, 9800
8:45-9:15pm	0145-0215	Berne, Switzerland	6135, 9725, 11715, 15305
9:00-9:30pm	0200-0230	Budapest, Hungary	9835, 11910, 15220
		Jerusalem, Israel	9815, 11640, 15585
		Montreal, Canada	5960, 11845
		Warsaw, Poland	6095, 7145, 7270, 9525
9:00-9:30pm Su	0200-0230 Mo	Oslo, Norway	11870, 11935
9:00-9:50pm	0200-0250	Johannesburg, So. Africa	9580, 11900, 15325
9:00-10:00pm	0200-0300	Bresilia, Brazil	15290, 17830
		Bucharest, Romania	6155, 9570
9:00-10:30pm	0200-0330	Cairo, Egypt	9475, 12000
9:00pm-12Mit	0200-0500	Quito, Ecuador	9745, 15155
9:30-10:00pm	0230-0300	Beirut, Lebanon	11780
		Stockholm, Sweden	9695, 11705
		Tirana, Albania	7120, 9749
9:30-10:15pm	0230-0315	Berlin, DDR	9730, 11975
9:30-10:25pm	0230-0325	Hilversum, Holland	6165b, 9590b
10:00-10:30pm	0300-0330	Budapest, Hungary	9835, 11910, 15220
		Kiev, Ukrainian SSR	7165, 7205, 9750
		Lisbon, Portugal	6005, 11925
		Montreal, Canada	5960, 9535, 11770, 11845, 11940
		Warsaw, Poland	6095, 7145, 7270, 9525
10:00-11:00pm	0300-0400	Prague, Czechoslovakia	5930, 7345, 9540, 9740, 11990
10:30-10:45pm	0330-0345	Athens, Greece	9515, 9650, 11730
10:30-11:00pm	0330-0400	Dubai, UAE	11755, 15325
		Tirana, Albania	6200, 7300
		Vienna, Austria	5945, 9770
10:30-11:30pm	0330-0430	London, England	5975, 6175w
10:30pm-1:00am	0330-0600	Havana, Cuba	11760
11:00-11:30pm	0400-0430	Bucharest, Romania	5990, 6155, 9570, 11940
		Montreal, Canada	5960, 11770, 11845
11:00pm-12Mit	0400-0500	Sofia, Bulgaria	7115
11:00pm-1:00am	0400-0600	Moscow, USSR	7195, 9610, 9750, 9800, 600/9600h (to 05)
12:00-12:15am	0500-0515	Jerusalem, Israel	9815, 11640, 11960, 15105

ENGLISH LANGUAGE BROADCASTS TO WESTERN NORTH AMERICA

Morning			
PST	GMT		
5:00-11:00am	1300-1900	Moscow, USSR (via Khab.)	5900, 7290, 9795 (to 1600)
5:30-6:00am	1330-1400	Seoul, Korea	9720
6:00-6:30am	1400-1430	Tokyo, Japan	9505 (also hourly to 1800)
6:30-7:00am	1430-1500	Helsinki, Finland	15400, 21475
7:00-9:45am	1500-1745	London, England	9740s, 11750s (to 1615), 15070, 15250c, 15400a
7:30-7:45am	1530-1545	Athens, Greece	17830, 21455
8:00-9:00am	1600-1700	Seoul, Korea	11830
Afternoon			
12:12-12:15pm	2000-2015	Tokyo, Japan	15325 (also at 2100)
12n-5:00pm	2000-0100	Moscow, USSR (via Khab.)	12050, 15140 (from 2130), 15455, 17720, 21530
1:40-2:40pm	2140-2240	Taipei, Taiwan	9685, 11825, 15270
2:00-2:15pm	2200-2215	Tokyo, Japan	17755 (also 2300, 0000)
3:00-3:30pm	2300-2330	Vilnius, Lith. SSR (via Khab.)	15100, 15240, 17870
3:00-4:30pm	2300-0030	London, England	9510, 9590c, 15260a
4:30-5:00pm	0030-0100	Kiev, Ukr. SSR (via Khab.)	15100, 15240, 17870

Evening			
4:30-7:30pm	0030-0330	London, England	5975, 6120c, 6175w, 7325, 9510, 15260a
5:00-5:15pm	0100-0115	Tokyo, Japan	17755 (also hourly to 0400)
		Vatican City	6015, 9605, 11845
5:00-5:30pm	0100-0130	Montreal, Canada	5960, 11850
5:00-6:00pm	0100-0200	Taipei, Taiwan	11825, 15345
5:00-7:00pm	0100-0300	Melbourne, Australia	17795, 21740
		Peking, China	11650, 15120, 15520 (to 0200)
5:00-8:00pm	0100-0400	Moscow, USSR (via Khab.)	12050, 15140, 15455, 17720, 21530 (to 0300)
5:00-9:00pm	0100-0500	HCJB, Quito, Ecuador	9745, 15155
5:30-6:30pm	0130-0230	Tokyo, Japan	15195, 17825, 21610, 21640
6:00-6:30pm	0200-0230	Budapest, Hungary (not Su.PST)	9835, 11910, 15220
		Jerusalem, Israel	9815, 11640, 15585
		Montreal, Canada	5960, 11845
6:00-6:30pm Su	0200-0230 Mo	Oslo, Norway	9610, 11870
6:00-6:50pm	0200-0250	Johannesburg, So.Africa	9580, 11900, 15325
6:00-7:00pm	0200-0300	Brasilia, Brasil	15290, 17830
		Seoul, Korea	11810
6:00-7:30pm	0200-0330	Cairo, Egypt	9475, 12000
6:30-7:00pm	0230-0300	Stockholm, Sweden	9695, 11705
7:00-7:30pm	0300-0330	Budapest, Hungary	9835, 11910, 15220
		Kiev, Ukr.SSR (via Khab.)	15100, 15240, 17870
		Lisbon, Portugal	6005, 11925
		Montreal, Canada	5960, 9535, 11770, 11845, 11940
7:00-7:50pm	0300-0350	Taipei, Taiwan	11825, 15345, 17800
7:00-8:00pm	0300-0400	Prague, Czechoslovakia	5930, 7345, 9540, 9740, 11990
7:00-9:00pm	0300-0500	Peking, China	11650, 15120, 15520 (to 0400)
7:30-7:45pm	0330-0345	Athens, Greece	9515, 9650, 11730
7:30-8:00pm	0330-0400	Dubai, UAE	11755, 15325
		Tirana, Albania	6200, 7300
7:30-8:15pm	0330-0415	Berlin, DDR	11840, 11890, 11975
7:30-8:30pm	0330-0430	London, England	5975, 6175w
7:30-10:00pm	0330-0600	Havana, Cuba	11760
7:55-8:00pm	0355-0400	Yerevan, Arm.SSR (via Khab.)	15100, 15240, 17870
8:00-8:30pm	0400-0430	Bucharest, Romania	6155, 9570, 11940
		Montreal, Canada	5960, 11770, 11845
8:00-8:30pm Su	0400-0430 Mo	Oslo, Norway	11850, 11935
8:00-9:00pm	0400-0500	Sofia, Bulgaria	7115
8:00-10:00pm	0400-0600	TWR, Bonaire, NWI	9700
8:30-9:00pm	0430-0500	Berne, Switzerland	9725, 11715
8:30-11:30pm	0430-0730	London, England	6175w, 9510w
9:00-9:15pm	0500-0515	Jerusalem, Israel	9815, 11640, 11960, 15105
		Tokyo, Japan	15325 (also at 0600, 0700)
9:00-9:30pm	0500-0530	Lisbon, Portugal	6005, 9560
9:00-9:50pm	0500-0550	Cologne, Germany	5960, 9545w, 9650, 9690, 11705w, 11905
9:00-11:00pm	0500-0700	HCJB, Quito, Ecuador	6095, 9745, 11915
9:30-10:30pm	0530-0630	Hilversum, Holland	6165b, 9715b
		Madrid, Spain	9630, 11880
		Seoul, Korea	9720, 11810
10:30pm-12mid	0630-0800	Havana, Cuba	9525
12mid-12:15am	0800-0815	Tokyo, Japan	9505 (& hourly to 1300)

Relay stations: a-Ascension, b-Bonair, NWI, c-Canada (Sackville), h-Havana, m-Malta, s-Singapore, w-West Indies (Antigua/Montserrat)

Plain Talk, by Neal Perdue

14. Regardless of what type of support is used at the center of inverted-Vs, an endless loop halyard type of arrangement very similar to that used on flagpoles can save a lot of work and cussin' if the antenna eventually needs to be repaired, modified or just cleaned up. Nylon rope is suggested for this, but it's getting mighty expensive. It pays to shop around for the best deal. 3/16 inch nylon is about as small as I'd go. It has a breaking strength of about 600 pounds and sells here for about 8¢ per foot.
15. Guy wires for telescoping masts should be avoided because of very possible interaction with the antennas hanging above them. While not as sturdy as nylon, polypropylene sash cord is serviceable for this purpose and is fairly inexpensive.

IT SOUNDS TO ME!

BY ALVIN V. SIZER, 22 Country Way, North Haven, CT 06473

Now that the wassail has been quaffed and the Auld Lang Synes sung, it is time to reflect on what may be ahead for Short Wave listeners in 1981.

My crystal ball is no more clairvoyant than yours but I do have a few thoughts on the subject that may or not coincide with yours.

At this writing, the new short wave commercial station, WRNO, has not come on the air but, barring an unexpected hitch, you should have heard it by now. It seems to me this is a significant development and bears watching. Except in the earlier era of SW, private stations have been religious in their orientation. WRNO is not although that does not mean, I guess, that a religious organization couldn't buy time on it.

If WRNO succeeds--that is, makes money--I think we shall see the FCC besieged by other commercially-oriented groups who will seek permission to use SW. In fact, there is a good possibility that a station may beam Spanish language programs to Latin America. Many of the products sold in North and South America are the same and so advertising might be productive. And there are a lot of sports programs, especially baseball and soccer, which feature Latin American athletes.

Whether commercial stations on short wave will be a good development, I will wait to see.

I also predict that we shall see even great use of the short waves by clandestine stations seeking to espouse a political cause or denounce a regime already in power. This, of course, is not a new trend and I have been following it ever since I joined the hobby in 1968, in earlier days through use of the excellent clandestine list kept up to date by Larry Magne.

In 1980 the use of clandestine broadcasts was widespread in Asia, the Mideast and South America. Only continental Europe seemed largely to escape. The U.S.? Does anyone believe that some of the anti-Castro stations do not operate from Florida?

Communication is the name of the game in international politics and with the world in ferment, watch for even more activity. The baffling facet of the hobby for DXers, at any rate, is to determine which broadcasts come from legitimate clandestine stations--or should that be illegitimate?--and which are merely programs on Radio Cairo, Algeria, Moscow, Peking and the like? I suspect the latter. True clandestine stations are fairly rare.

What about pirate activity as distinct from clandestine? I should have consulted John Campbell, our reigning authority in England, but I suspect that pirate operations in the United Kingdom, Ireland, Holland, Italy, etc. will continue to flourish as long as the respective governments do not take the time and money to quash them. The government may raid a station now and then to keep them in line but I can't see them going all out to clean up the airwaves.

In the United States I sensed last year that pirate activity is tapering off from the days of the Voice of the Voyageurs. The FCC has made some crackdowns although the same situation prevails here as in Europe--in these budget-cutting days how much money does the government want to spend on pirate-chasing?

But the real reason why pirate activity in the U.S. doesn't seem to be going anywhere is that beyond the thrill of exhibitionism and flouting the law, stations in this country don't have a reason, a cause, to use SW. Unlike some European countries and their state radio systems, nobody in this country forbids playing rock 'n roll or any kind of music. And at the moment there seems to be no overwhelming cause of political dissent that would send dissidents to the air waves. I don't say that it will necessarily always be that way, though.

Of course, if you want to indulge in obscenity, racism, sexism or bigotry of any kind you could go on SW. But I'm sure the FCC wouldn't stand for that and would seek the perpetrators. It would be a search that I feel personally any SWler should aid.

Every year since I have joined the hobby new countries have gone on SW or left it. What will be situation this year? Perhaps we shall see Saipan start up. And perhaps Anguilla or another Caribbean island. Or there may be more activity from Oceania. We shall have to wait and see but I feel sure that the new year will bring surprises and much enjoyment to SW. Enjoy!

I seem to have just about completely recovered from my operation and I want to thank all of you who sent cards. Don't forget to send your ideas on the above topic to my address. I want to know what you think.

This Is The Way It Sounds To Them!

(FEEDBACK ON COLUMNS ABOUT VOA
AND SHORT WAVE AS A HOBBY)

From JAMES FENTON, Hato Rey, Puerto Rico:

"I don't listen to VOA that much; partly, I suppose, because they're not a very exotic catch for an American, after all. But, yes, I agree, they do shine.

"What has struck me most is their news about U.S. domestic affairs. Over the past few months I have heard them report on a lot of things, including such warty items as the riots in Miami, the assassination attempt against President Reagan, the child murderer in Atlanta, the Abscam affair.

"Ugly stuff? Yes though not much different from anything you can pick up on your AM car radio-- but what a difference when compared with our neighbors in Havana or Moscow. There is an obvious contrast between VOA's generally unabashed and honest coverage of U.S. domestic happenings, over against the carefully sanitized of some other stations when they're reporting on what's going on inside their own countries. That contrast can say a lot of good things to the VOA audience about the U.S., I believe.

"Also, the general 'foreign policy' of VOA raises some questions. How come they don't use name calling when referring to nations that are politically opposed to the U.S.? Why don't they editorialize like some other international broadcasters do in their news bulletins? Why is it that I've never imagined the voices of the VOA announcers to be dripping with hatred the way the voices of some other countries' non-English SW announcers can sound when they refer to the U.S.?

"Hopefully, some of the VOA's listeners are moved from time to time to think on some of these things, and to come to favorable conclusions about our country from them."

From CLAYTON C. SHORTRIDGE, Fort Wayne, Ind.:

"I would like to comment on your column about shortwave as a good hobby, especially for retirement.

"A few weeks ago I had a heart attack at age 43. Yes, you heard right, age 43.

"I am very happy to have a hobby like SW. Of course, I have other hobbies too. But I found out very quickly that there are times you do not need a lot of physical exercise.

"If you go about a hobby and work it every day, it becomes a job. After you retire I don't believe you want another "job". What you're after is an interesting thing to do but you only want to do it when you want to do it.

As far as money goes, I don't think there's a hobby around that you couldn't really put a fortune into if you wanted to.

"Sure, you can meet other people in this hobby. Just how outgoing are you is really the question. I feel the more you talk about your hobby the more people you might get interested in it. You never know, you just might get your own club or get-together formed in your own area. And the more people you talk to about your hobby the more people you get to know. And that's what it's all about, isn't it?

"Well, anyway, after my attack I learned you need your hobbies to keep you walking and moving. But you also--very much so-- need your time alone in a relaxed manner.

"Don't forget, even after we retire we must keep the mind and the body busy. You have kept it busy for 30-40-45 years and any doctor in the world will tell you that you must keep going--a little more slowly maybe but it all must operate to some degree.

"I don't know about the rest of you but I want to keep it ALL going as long as I can."

EDITOR'S COMMENTS: Fred Rapillo of Buffalo, N.Y. sent me a copy of Columnist Jack Anderson's piece which The Miami Herald, for one, headlined, "Radio Free Europe Awash in Liquor?" I am sure many of you have seen this article in which Anderson charges that the station's Munich headquarters "are awash in beer, wine and hard liquor" and this is the reason, according to Anderson that Radio Free Europe-Radio Liberty "has been spending money like a drunken sailor and making incredible blunders."

Allowing for Anderson's chronic tendency to sensationalize, this seems to relate to my comments on the VOA--mostly laudable--that I don't feel that way about Radio Free Europe and Liberty because I have read too many critical words about their operations.

These stations use foreign languages most of us don't understand. It would be an interesting thing to hear from some of you members who do understand what is being said as to their opinion of the quality of the message and its effect. Perhaps in my column this month I should have included a prediction that there is liable to be a government crackdown on Radio Liberty and Radio Free Europe this year. Keep your eyes on them.

How I DX (or: Though this be madness, yet there is method in't)
by Dr. S. David Klein

Some time ago, John requested an article for SWC on my method of DXing, and though I have been thinking about it, it is only now that I have found the time to type it out. DXing is one of several hobbies that I enjoy and is the one that I devote the most time to. I tend to take my hobbies seriously, and DXing is no exception. I don't think that there is any one "best" way to DX, and so I do not put forward my method as better than any other. It is simply the way that I enjoy my hobby.

I am primarily a bandscanner. When I fire up my rig chances are that, unless I am looking for something specific, I will tune to the top or bottom of one of the SWBC bands, usually 90, 60, or 49 meters. I will then proceed to slowly tune through the band, making note of what I'm hearing. Over the years I have become familiar with my favorite bands, at different times of the day, and as a result any new station will stick out like a sore thumb. If I find something that is not familiar, I will sit on it until I have it identified or until I lose it. Unfortunately, the latter is the more common occurrence. If so, well...there's always tomorrow, or the day after. I have found through personal experience that DX cannot be rushed...not without getting your face full of egg...often.

When I mention finding something unfamiliar, I don't just mean a station broadcasting on a frequency formerly vacant. If I find a station broadcasting a format very different than usual I listen to it for a while. Sometimes it may simply be a new or different program; sometimes it may be a special event, as Venezuelan stations broadcasting classical music in honor of the anniversary of the death of Bolivar; sometimes, more rarely, it may be a horse-of-a-different-color. A case in point: a while back, I came across the station on 4945 kHz, usually R. Colosal, broadcasting Andean music, usually associated with Peru or Bolivia. After listening for a bit, it turned out that the station was R. Illimani in Bolivia, to my way of thinking a far better "catch" than Colosal.

This method has its drawbacks, though they are not major. Occasionally I will find a station broadcasting a program that I do not associate with that particular frequency, and I will lose it before I can get an ID. The temptation is to check in the WRTVH to see who else it might be, and to see if the programming heard might match that "other" station. When I have a situation like this, I will check it for several days, before coming to any conclusion. After all, stations have been known to change format. After several tries, if I still cannot put my finger on it, I may report it as an UNID, or let it ride for a while longer. I will not report it as that "other" station unless I have plenty of evidence to back up that tentative ID. Sadly, all too often you will see what appear to be definite logs of a rare station which, upon scrutiny, turn out to be what you would have normally expected on that frequency subject to poor propagation or heavier-than-normal interference. DXing should not be a guessing game.

The times that I DX are a function of my own personal nature. I am something of a "night-owl" and as a result most of my DXing is done between sunset and sunrise. In particular, I enjoy listening starting around 2200 GMT and tapering off about 0400 or so. In that time range, as likely as not, you'll find me listening to a Brazillian or African. If I can manage to get up that early (or if I've become so engrossed in some science fiction that I'm reading that I've forgotten to sleep) I also enjoy listening from around 0800 onward. First, the Brazillians signing-on, then the Latins, and later on, if conditions permit, stations in Oceania and Asia. During this time period I may abandon bandscanning in favor of trying to catch certain stations I'd like to hear. Don't get me wrong...if I hear that the rare station Radio Rarius can be heard on 12345 at 0700, come 0700 you'll find me sitting there. While there is one method that I prefer, bandscanning, I do not limit myself to that one alone. I have found that serious DXing requires a great deal of flexibility, in how you listen, when you listen, and what you listen to. I think that it is a mistake to lock yourself into one rigid form of hobby activity unless that is what you like. The key thing to remember is that it is a hobby (well, at least to most of us!) and that the primary goal is enjoyment. It saddens me to see how many of us think that our world will grow or crumble based on how many countries we have heard as compared to others in the hobby. While some people may enjoy that (in which case more

power to them...enjoyment is the name of the game) for some the hobby loses its "fun" aspect. When that happens I think it is time to move on to something else. Although other hobbies have come and gone, for me DXing retains all of the enjoyment that it had when I first started...perhaps even more so since at that time I did not know about clubs such as NASWA.

One of the aspects of the hobby that I enjoy is participating in the club...witness this article. I consider it part-and-parcel of my hobby activity. Apparently I am in a great minority in this respect, given the very low level of participation in the club; specifically, I am in the less-than-five-percent that enjoy contributing to the club. I am not about to launch into a sermon on the reasons that should motivate you to be active in the club; a number of editors (who voluntarily perform their jobs because that is one aspect of their hobby enjoyment) have already made those points. However, this is, after all, about how I go about enjoying my hobby, so perhaps I should mention something.

At the beginning, it was, admittedly, a thrill to see my name published in Frendx. That lasted perhaps a few months, at most. After a bit, I found that I enjoyed sharing my hobby endeavors with others. It is not as strange as it seems; I suspect that for most collectors, a great joy, if not the greatest joy, is showing off their collection. Are we not, in effect, collectors of DX? I think we are...in which case I am surprised by the very low level of participation. For most people beginning in the club, sending in that first logging can be rather traumatic: "I'd just die if the editor printed my logging and said I was wrong." Or: "This is not real news, the editor probably won't even print it." To the first, I say: 'The editor is not an ogre; he isn't deliberately going to make you look like an ass, and everyone is entitled to be wrong on occasion. No one expects you to be perfect, and if you make an honest mistake it is nothing to be embarrassed about.' If you fall into the second group, then I have this to say: 'You have to start someplace, and the best place is at the beginning. If the editor has the room, he will print your logging, be it common or not. Sooner or later you will have your loggings published; at that time you may find that you are starting to enjoy your hobby even more than before. The important thing is to start!'

There is another aspect to activity in the club that is, perhaps, the most overlooked, yet it can be the most enjoyable part of the activity. Quite simply, it is making new friends. Once you are active in the hobby, you will find that you will start to correspond with others who are active. Sometimes that correspondence may turn out to have been the start of lasting friendships. Through the hobby, through my activity in NASWA, I have met people who I now regard to be good friends. There is one slight disadvantage to this...my phone bills truly endear me to Mama Bell! Be that as it may, I find my correspondence with fellow hobbyists to be one of the most rewarding aspects of the hobby, and I would not have had the opportunity had I not decided to be active in the club. Being active will not hurt you, does not take much time at all, and can greatly add to your hobby enjoyment. I know for a fact that it has for me.

I suspect that this article may have turned out to be both longer and more far-reaching than John expected when he asked for it. He asked, however, how I DX, and I am pleased to have been able to share the answer with all of you. I hope that, perhaps, I have been able to help some of you more fully enjoy the hobby; if that is the case then the effort expended in writing this was worthwhile indeed!

More on Watches to DX by... by Bert Passanante

Regarding Clarence Wilson's article on dual time watches, Casio has a terrific buy at 29.95 available from mail order, from Markline, P.O. Box 171J, Belmont, MA 02178. The model number is CW90, in the fall 1981 catalog. The watch may also be available at your local K-Mart store.

The dual times can be either 12 or 24 hours independently and the dual time display can show local time in 12 hour and GMT in 24 hours simultaneously.

Other features are a water resistant case to 50 meters, a 100th second stop watch, and a count down timer. The regular time display shows time (12 or 24), day of the week, month and date. There is also a momentary back light. The whole thing is run by a lithium battery which is supposed to be good for from five to seven years.

All for now! Tune in next month when we begin a special series on the VOA, written by Dan Robinson. You will not want to miss this shortwave center exclusive! Also, hopefully, more on the WRTVH from Frost and Sennitt, Stu Klein's latin american QSL report, and a couple other surprises. jm

Listeners NOTEBOOK



GLENN HAUSER
Box 6287
Knoxville, TN 37914-0287

PROPER CREDIT

Other publications and broadcasters may use material from LN provided due credit is rendered to the original reporter and the NASWA Listeners Notebook. This courtesy does not extend to closed organizations which do not allow reciprocal access to their publication. BBC Monitoring Service items (designated WBI for World Broadcasting Information) are copyright and may not be reproduced without BBCMS permission. The most important items have been broadcast immediately on ECI SWL Digest, not otherwise mentioned herein. All times, dates and days are day/month GMT, u.o.s. All contributions to LN are gratefully received, but your editor cannot promise a personal reply because of severe time constraints. Reports to gh should not be cut into little strips! It also helps if you use one side of paper only and do not mix LN items with other correspondence. Please do not ask me for advice on receivers or other equipment. Thanks (gh)

K E Y Letters along left margin enable you to spot items in categories of interest: **D** = death
E = English, **H** = harmonic, **J** = jamming, **L** = program listening, **M** = mediumwave, **P** = future plans, **Q** = QSL info, **S** = stamps/postal, **T** = time jumps, **V** = television, **X** = DX programs

- ✓ **AFGHANISTAN** HS via USSR DB1: 0125-0500 6065 7235; 0500-1300 21460 17720; 1300-1930 untraced while via Afgh sites 0125-1930 on 3965 4450 4740 7199 (Victor Goonetilleke, Sri Lanka, RN Media Network 26/11) R Afgh DS in Pashto & Dari now via USSR hrd: 21460 0400-1300, 17720 0400-1530, 9550 1330-1630, 7235 & 6065 0125-0400; times apx; at varying times 1030-1630 these have sometimes inexplicably carried parts of RA's DS in minority langs and UD, EG E for neighbouring countries; ES to EU 1730-1930 in Pashto/Dari, GM & EG also via Soviets on 9665 7290 & even these on occasions've erroneously carried RA DS (WBI 19/11) Add another USSR xmtr for RA DS, 11960 // 6230 Baluchi to 1625 (WBI 26/11) RA ES also: 1330-1530 UD & E 1530-1600 EG SAs via irregular USSR 9550 and Afgh 6230; RS to EU 1630-1700 unconfirmed. AR ME 1700-1730 on 17850 (WBI 3/12) USSR 9550 much better than 6230 1330-1530 (Goonetilleke)
- ✓ **ALBANIA** R Tirana ES in EG; some fqs may vary ± 5 kHz to avoid QRM (or cause it -gh), ½ hrs: E 0000 NAM 9750 7065, 0130 & 0230 NAM 9750 7120, 0330 NAM 7300 6200, 0430 Af 9480 7300, 0630 EU 9500 7080, 0700 Au/As 11985 9500, 0930 Au/As 11985 9500, 1230 NAM 11960 9515, 1400 SEAs/Au 11985 9500, 1630 EU 9480 7065, 1730 Af 15435 11985, 1830 EU 9480 7065, 1930 Af 9500 7075 2030 EU 7065 1395, 2200 EU 9480 7065 1395 (WBI 3/12) Albanian to Ams 0000-0100 9790 7300 6200, 0200-0300 9782 7300 6200 (ibid.)
- ✓ **ANDORRA** The end of R Andorra & Sud Radio bcs from Andorra: Bcing in Andorra goes back to P 1936--with a "black" period during WWII--w/R Andorra the only stn, linked to Spain. This was not favoured by Chas de Gaulle who in 1959 with force of arms installed the 4 times more powerful Sud R. Its purpose: simply to kill RA. When this strategy didn't work and RA continued to operate successfully, the Sud-R owners in the early 70s installed a stn in Monte Carlo (RMC, 300 kW, Italian svc --ed) to operate on the same fq, but RA continued. But then a 20-yr concession, secretly made between RA and the Spanish state, expiring in 1981, just came to light about a year ago. The Spanish wanted to take over the stns: when the French had a stn on Andorran soil, why shouldn't the Spanish (and maybe the future 5 satellite allocations were the main course for the French and Spanish interests). The 2/4/81 xmns, which was the last, was interrupted for both stns in the middle of the evening when the Andorrans cut the power supply. After long discussion period, Andorrans've finally decided that no foreign state shall be broadcasting from Andorran soil; thus we seem to have seen the end of bcs from Andorra by RA & SR, and another SW country has disappeared
- M (Ron Meyers, AWR DX 21/11 via DSWC1) Sud-R, the commercial stn which ceased bcing from Andorra 6/11, is now hrd from a transmitter near Toulouse [FRANCE] on 1161 kHz (WBI 26/11)
- ✓ **ANGOLA** RNA Luanda 60m outlet w/A pgm in PT noted for a few days on OOB 5285 instead of normal 4820; 13/11 back to 4820, but then changed to 4830 where hrd now; seems mistake as strong QRM there from SABC 4835 (QTH Africa 20/11 & via Larry Vipond, AZ) [Cf Dec LN]
- ✓ **ANTARCTICA** R Nac Arcangel San Gabriel VG last nite 2350-0109* on 15476 (John Kapinos, MA, 2/12) 2300-0026, 4-5/12, peaking around 2345, many kinds of mx, full IDs w/fqs 6030, 15475 and 25m one, tnx Berg tip (Chris Loddell, MA) 15476, 4/12 2205-2315, poor, 2220 ID (Aoi & Hirahara, Japan, R Nuevo Mundo) 15476 hrd after 2-month absence 3/12 w/sports pgm 0030-0233* but off again since 5/12 (Ernie Behr, Ont) You cannot be certain of that because I hrd them ID 28/11 2330, SIO 232 (gh, Enid OK)
- ✓ **ARGENTINA** Rdif Arg ES reorganized: new svc is on at 1030-0300 Mon-Sat on 11710 and from 2300 on 9690. Includes relay of Rnoticias Argentinas 1200-1500 and 30-min ES pgms in EG, E FR, GM, IT, JP, PT, SP. EG: 1100 1530 1630 1730 1930 2200 0100. The 1200-1500 relay of RNA includes EG nx 1330-1335 for listeners in Patagonia, Tierra del Fuego, the Antarctic and the S Atlantic islands. On Suns, ES is 16h on 11710 for Args abroad: relays of R Nac, RNA, R Belgrano plus Rdif Arg 1500-1930, latter mainly SP but incl 10-min mx in EG at 1800

and in FR, GM, IT, JP, PT (WBI 10/12) Measured 11709.3 28/11 2334 in SP (gh, OK)

AUSTRALIA As I hope you figured out from the last 3 last-minute words under this heading in Dec LN, the RA DX pgm Spectrum was retimed for its last repeat on the GMT Mon after the first Sun of the month, from 0112, to 0330. This is because the 0100-0200 hour to Nam has been changed from EG to FR, in effect depriving Nam Anglophones of many other good pgms in that hour which have not been retimed; FR ex-0000-0100. However, instead of ending the official Nam svc at 0300 it now ends at 0400; however, 17795 already stayed on past 0400 in reality, and altho 21740 is now sked to 0400 too it still goes off at 0330 as before, a net loss in EG Nam svc air/fq time; and on 7/12 the DJ almost forgot to play Spectrum, but got it on at 0340. Furthermore, apparently forgetting its own new policy, RA neglected to publicize any QSL month during 1981. Calling Antarctica first airing FR 0300-0330 moved to 17750 (gh, from skeds via Woody Seymour & Kraig W Krist) RA has spl coverage of cricket test matches which start at 11 am local and run for 5 days, on 15395 to NZ, 21570 to Pakistan, and perhaps other unknown fqs to West Indies, etc. Sked of Sydney pirate Radio CBN: 13/12 Sun 0400 13995; 25/12 Fri 0000 7350; 10/1 Sun 0000 13995; 31/1 Sun 0400 7350 (Rob Williams, NSW) Have been trying to hear CBN ever since skeds published in LN; still no luck, tho I've found weak xmsn on 6995 u/QRN, and a strong OC on 7402 (Laos?), both 1000-1030+ (Dale Park, HI) Hrd 10/4 on 13992, power believed 80 watts. Recent xmtx damage stopped bcs, so not on air until Dec; addr is: R CBN, No 1 Browns Lane, Nth Sydney 2060 NSW (RA DX 8/11) Studio moved, xmsn curtailed during Oct due to vandalism of eqp; reopen early Dec, new QSL (Nov ADXN) 13995, weak but OK, TS 2356, pops 0000-0040* 4/10 (Richard Jarey, NSW, ADXN) usual rx to 0044*, ancr Chris Markham said they'd been heard in England (Patrick Fitzgerald, Vic., ADXN) Stn uses automation system so entire xmsn can be carried out with no one present; CBN = Clandestine Broadcasting Network (Nov ADXN)

AUSTRIA ORF continues to have trouble playing the correct pgm at 0430; if on 14/12 you waited for the last repeat of Austrian SW Panorama (when reception is usually best if the ute is off and the MUF isn't depressed) at 0434 on 12015, you were instead treated to a repeat of the 0330 pgm uncontainng ASPW; to be safe, catch the Sun 0900 on 9770 maybe, 1234 on 21655 despite the Dubai QRM, or 1805 on 15560 when usually weak but clear in winters(gh)

BELIZE Radio Noticias del Continente, which was put off the air last March in Costa Rica, plans to go back on the air from Belize where the government has authorized them, to be hrd in Guatemala, El Salvador, SE Mexico (Jaime Bagueña, RN Espacio Dixista 12/12) Ergo MW?

BHUTAN [Cf Dec LN] R NYAB obs on 4595 1300-1400* w/last 30 min in EG; G 7/10 but subsequent E checks disappointing; could be deliberate move to avoid Quetta 4700 varying terribly (Sarath Weerakoon, Sri Lanka, UADX) Also would lead to people list logging Bhutan on 4695 hearing Quetta which is on 4695 mostly (Victor Coonettilleke, UADX) But Norbert Reiner, W Germany reported hearing a complete ID and addr in EG from NYAB, in SCDX 27/10 (gh)

BOLIVIA Per R Tacna, Perú, Bolivian radio stns have rebelled against the govt and have not been linking w/offl radio net since 7/12; had been forced to join the offl net 177/80 but they regarded it as unnecessary and in violation of both press freedom and free enterprise (WBI 10/12) 2-week tin miners' strike ended w/one of the strikers' demands, the return of miner-operated radio stns, apparently dropped in return for freedom of 60 detained workers (Washington Post 26/11 via Robert L Foxworth) R San Miguel reactivated 3310; R Animas on 4995 ex-4991 (ADXL via GO-DX Dec)

BRAZIL R Excelsior, 9585 returned here, as another São Paulo stn, R Globo had been on 9585 since 11/79, ancing 19, 31, 49m, 0758 23/11 (Hirahara, Japan, R Nuevo Mundo) R Soc da Bahia hrd during weekend at 0045 back on old 11875 (Stefan Bursell, Sweden, AWR DX 8/11 via DSW-CI) [Cf Dec LN] Reports about R Nac da Amazônia are nonsense; 4835 is R Nac de Boa Vista, 4875 is listed for Manaus, and Brasília stn has not closed (Ernie Behr, Ont.) On 4835 a new stn w/5 kW, Sociedade Rádio Evangélica Ltda., Rua Cabral 1443 (or C.P. 129), 79300 Corumbá, Mato Grosso do Sul, will start per Dir-Gen Padre Carlos Padilha de Sequeira, Gerente is Samuel Paiva de Figueiredo; Pgm Dir Eliás Fernando Fontoura Vieira. They will QSL by letter (stn via WRTH-LA, Torre Ekblom, Sept DSWCI) My bio-chemic electrolize y computerzees flesh carrier of my essence seems to have a zonk! And I sent note [Dec LN] "correcting" 5035 Aparecida to 5025--ypps--so it should remain 5035. Also in past month have noted "lazed" back Bahia on 4995 at 0830+? indistinct, versus hyped-up Baré [you mean 4895?] & also noted R Nacional de Tabatinga on 4815 under Guatapurí after 1030 w/ancr sounding like Donald Duck (Maxfield Greenwood, PA) A number of people have expressed doubts about some of the items in Max's Braz survey in Nov LN, but do not want to be specifically quoted. May I point out that we are in a continual search for the 'truth', refinement of data, and all parties ought to freely present their findings toward this end (gh) Radiobrás reactivated 9665, detected 28/11 closing ES in SP to SAM at 0100; ID as Brasil, not Brasília; ES in SP is at 0000-0100; poor here due to VOA 9670; SP svc had been suspended in 1974. R Aparecida 9635 now gives 50 kW power, hrd 28/11 1055 mentioning it during religious pgm. R Guafba, Pôrto Alegre, now hrd sometimes on nominal 11785 only, sometimes on 11930 only and sometimes on both (Emilio Pedro Povrzenic, Villa Diego, Argentina) Ahem, 2 x 5965 = 11930 (gh) E RNB on new 17805 to Eu 1900 EG ex-17855; // 15125 (UK reporter to SCDX 15/12) R Cultura de Cubabá is a 'big' stn in Mato Grosso. The "Radio Palace" where it is located is 3-floor; on level 1 are commercial and sport depts plus disco; level 2, reception, tech dept, SW studios, editor's and management offices. Level 3, MW studios. Owner is Dir-Gen Fauer Antônio dos Santos; Mgr is Manoel Garcia. PD Valdelino Ribeiro Chaves says they are 24h on both fqs; 3 min of nx 10 times per hour; tech dir Luiz Carlos Nascimento says 5 kW on 5015 P and plan to increase it. All correct reports ans by letter (Torre Ekblom, WRTH, DSWCI Q Sept) R Por U Mundo Melhor is a v nice stn in town named Governador Valadares, Minas Gerais; stn reaches 5 megapeople. Dir-Gen Otilon Lagares de Aguiar says stn is owned by Fundação João XXIII; tech dir is Eduardo Rodrigues Saliba. In charge of pgm are Aloísio E Costa Rosa and Iraldo Dunga de Oliveira, who says they use EG, SP IT FR GM, 0800-0300. It

has been hrd on 4855 to s/off w/ pgm 'Super Show da Noite'; QSL by letter; they get quite many reports from all over world. Watch out for Neiva and Para on same fq 4855 (Torre Ek-blom, WRTH, Aug DSWCI) 2nd harmonic of R Dif Franca in SP state, on 2980 (Stefan Bursell, Sweden, AWR DX 9/8 via DSWCI)

✓ **BURMA** Re the Taung-gyi stn: has been stn here for several years, "unofficial" announcing no name or location, which means it is not under direct control of BCing Div of Info Dept, but is O&O by the Natl Army. Purpose: to console soldiers fighting in front line; most pgms are mx w/occl talk and nx items which are chosen especially to be regarded non-committal to the rest of people should they happen to listen. Besides this, V of Burma has forces pgm in its main net (U San Myint, R Japan Burmese Dept via DX Front Line 21/11) U San Myint formerly worked for BBS in Rangoon. My interpreter, Hisao Tanabe, explains that front line soldiers are those fighting Burmese Communist Party or other minority insurgent groups which are very active especially in Shan State of which Taung-gyi is the capital. Burmese govt and army are not happy about the rest of the world knowing about this situation (Isao Ugusa, DX Front Line ed.) 5060

✓ **CANADA** CKFX Vancouver, 6080, 10-watt powerhouse booming in 7/12 at 0100-0230 w/EG nx and country mx, an annual DC phenomenon (Ernie Behr, Ont) Here's why you can't hear CKFX 6070 lately; I visited xmtr site; the SW xmtr is in very sad state; four power tubes in the final desperately need replacing; right now only getting 600 W out of them instead of usual 1 kW; but get this: modulation level is only 5%; listen to fq and you won't hear anything but a carrier [I have done just that during winter daytimes -gh]. But if CFRB receives enough support, they just might junk the xmtr and install a brand new one, so if you are no longer a regular listener because of this, write them asking to restore service (Steve Webster, Dec DX Ontario)

✓ **CENTRAL AFRICAN REPUBLIC** V of the CAR and from Bangui 14/11 that its eqp was about to be improved. Office of the French Aid & Coop Fund had decided to finance some projects costing 285 CFA megafracons, including a new SW xmtr, contract for which already signed with Thomson-CSF (WBI 19/11) I'll bet any other xmtr supplier was out of the question (gh)

✓ **CHINA** From a Hainan Island relay base, an anti-Indonesian govt bc is occasionally xmtd in Chinese and Indonesian as "Indonesia, raise for revolution! Suharto regime is an anti-Chinese military regime." (31/8 Jakarta report in Sankei Shimbun via SEAM Aug via DXFL) Do they refer to R Beijing? It is not wise for Beijing to have anti-Indo claud (Isao Ugusa, DXFL Ed.) R Peking ES has 5 sites, per IFRB: Peking (120/240/500 kW), Shanghai (500), Xian Kunning & Urumqi (all 50/120/240). 7095 stn is CPBS, 1200-1500 CH, // 6225 6200 5880 5320. On 9755 only Moscow in CH 1100-1500 (Cf Dec LN-15) but Nei Mongol was on 9753 in July 80; now on 9750 // 7105, 25/11 (Ernie Behr, Ont.) I really doubt Stoller's "ES in CH" on 11352a regardless of the time; this is precisely where KCBS [NORTH KOREA] HS resides, audible here almost all of the 22h per day they're on the air. // 9666 and others; there are enough RP GH outlets to check for // to be sure something like 11352 is what one thinks. I've been hearing RP's Eu EG on 6860 as well as 9860 even as late as 1955. Tho this needs recheck, think E the 9860 0830 SPac EG emanates from diff xmtr than 9860 EG to Eu; SPac xmtr on 9860 and Eu xmtr on 9859. And 14/11 0838 on 9860, I hrd "The East Is Red" repeated for 2 min right thru the 'on the hour' sign-on time to the ID -- never hrd it so repetitively used by RP before on any fq. // 11600 15435 did not exhibit this; their EIR started on the hour. Lack of a second radio prevented my checking if the IS was simultaneous on all three fq once the hour began (David Newkirk, Seattle WA) While we know what sites are registered in general, we do need to know which sites go with which xmsns/fqs (gh) No sign of CPBS I xmtr on 10245 for many weeks; 22/11 0710 hrd A3 sig there w/test tones (those Russianlike softly-shaped bleeps) to 0713, but no pgming there since (Newkirk, 14/12) Peking WG 12/11 2150-22* on 4905 (Bill Bergadano, Staten Island NY) CPBS and that from 10/11 its DS in CH'd be on SW thus: (Pgm I): 2000-2300 9080 9064 7935 7516 7504 7440 7335 7095 6200 5880 5860 5320 4905 4460 3660 3220. 2300-2400 9080 9064 7504 7335 7095 6200 5880 5860 5320 4460; until 2340 on 7935 3660, from 2343 on 11610 10245. 0000-0100 15590 15510 11610 10245 9080 9064 7504 7335 7095 6200 5880 5860; 5320 to 0030, 15550 from 0035. 0100-0200 15590 15550 15510 11610 9080 9064 7504. 0200-1000 17605 15590 15550 15510 9080 9064 and exc Fri 0510-0900 on 7504. 1100-1200 15590 11925 11735 11610 10245 9080 9064 7516 7504 7440 7335 7095 6200 5880 5860 5320. 1200-1400 11925 11735 9080 9064 7516 7504 7440 7335 7095 6200 5880 5860 5320 4460; to 1315 on 11610 10245, from 1320 on 7935 3360 3220. 1400-1733 11735 9080 9064 7935 7516 7504 7440 7335 7095 6200 5880 5860 5320 4905 4460 3660 3220. (Pgm II) 2100-2200 8007 7770 6890 5990 5163 5090 5075. 2200-2400 11505 8007 7770 6890 5990 5163 5090 5075. 0000-0100 11505 10260 7770 6890; 5075 to 0030, 12200 from 0033. 0100-0700 12200 11505 10260 7770, and exc Tue 0510-0900 on 11040. 0700-1100 12200 11710 11575 11505 10260 9775 9670 7770 and 11040 as above. 1100-1300 11710 11575 11505 9775 9670 7770 6890 5075 and to 1130 on 10260. 1300-1558 on 11710 9775 7770 6890 5990 5075; to 1350 on 9670, from 1355 on 5163 (WBI 19/11) CPBS Peking Natl Minorities pgms recently surveyed thus: 2130-2225 Korean 6430 4190; 2230-2325 Mongolian 6080 5915 4190; 2330-0025 Tibetan 11675 8566; 0030-0125 Uighur 11375 8566 5800 4735 3990. 0130-0225 Kazakh 11375 8566 5440 4970. 0400-0455 Korean 9920 8566. 0500-0555 Mongolian 11375 8566 6974 4010 1458. 1000-1055 Korean 9920 6430 1206 1100-1155 Tibetan 11675 8566 7110 5995 4035. 1200-1255 Mongolian 5915 4190. 1300-1355 Uighur 11375 8566 5800 4735 3990; 1400-1455 Kazakh 11375 8566 5440 4970 (WBI 26/11) Some of R L Peking's Jan features: 9th, compositions for Chinese strings. 15th, the Tartars of Xin-Hjiang; 29th the Sala People of NW China (Jan RIB) Both 24030 harmonic and 12015 fund good (Victor Goonetilleke, Sri Lanka) Probably around 1030 (gh) Some confusion about QTH of time sig stns due to contradictory WRTHV and Gerd Klawitter listings: BPV is at Shanghai Astronomical Obs, Zi-ka-wei Section, Chinese Academy of Sciences, Shanghai and QSL signer is Cai Jian-xiang. BFM is Shaanxi Astro Obs, CAoS, PO Box 18, Lintong, Shaanxi (Sensi) (Paul Karagianis, UK, UADX) see TAIWAN

- ✓ COLOMBIA R Transamazónica, not hrd lately on 6051½ and therefore maybe undertaking fq change, has 8 employees, own generator since San José only has electricity 6h a day; sked 0900-0300, CARACOL net member; founder Guillermo Pulido flies to home in Bogotá 4 days a week; he studied at Florida Institute of Technology, Melbourne, incl USA ROTC classroom, Q over past year. Reports to A.A. 16555, Bogotá (Ralph W Perry, NJ, R Nuevo Mundo, Japan)
- ✓ COMORO ISLANDS 3331 at 1600 clear ID and EG nx as Intl Svc 28/10 (Rohan Goonetilleke, E Mayotte, via Victor)
- ✓ COOK ISLANDS RNZ's NZ Calling host Tony King is also a travel agent, and has arranged for a 'DXCursion Rarotonga', 25/4 - 3/5/82 including tours, accommodations on the beach, DX facilities, and roundtrip airfare to Auckland, for NZ\$581. Limited to 40 persons but North Americans welcome. Further info from P O Box 3160, Wellington (gh) /more C R see BELIZE
- ✓ COSTA RICA Per QSL, R Nacional has 43 staff for admn, production, technical; almost all pgms locally produced w/some help from foreign stns; sked 1100-0600 on 6035, 2 kW w/rhombic ants beamed to N & E, and 50 kW on 575 (Tetsuo Hirahara, R Nuevo Mundo) I hear MW well
- ✓ CUBA RHC D81 EG to NEU 2010-2140 on 11920, 2200-2300 7135; Af 1700-1800 17765 (E German re-E porter to SCDX 15/12) Last I checked it was 11950; other two via USSR. The MW band in M Cuba is undergoing major realignment following breakout in negotiations w/US at Rio WARC. No more powerhouses hrd on 550, 590, 600, 640, etc., RBNWS relay no longer hrd on 600 nor located elsewhere tho Moscow still claims 500m = 0.6 MHz; overnight EG V of Cuba from 0500 (exc Mon) better now on 1160, seems moderate but not superpower, usually over KSL here; before 0500 has R Rebelde. The projected US land R Martí fq 1040 is now being mentioned as a fq where Cuba will put superpower, watch out, WHO (gh) Oh, VOC still claims 550 (gh)
- ✓ CYPRUS BBC WS at 1015 on 23520, 2 x 11760 (Victor Goonetilleke, Sri Lanka)
- ✓ CZECHOSLOVAKIA Undated R Prague EG sked: BI/Eu 1630-1657, 1900-1927, 2000-2027 5930 7345; E 2130-2200 6055 1287. Nam 0100-0157 & 0300-0357 5930 7345 9540 9740 11990. Af/As 1530-1625 6055 7345 9605 11990 15110 17705 17840 21505; 1730-1825 5930 7345 9605 11990 17840 21505. SGEAs/Pac 0730-0800 & 0830-0900(Sat/Sun 0930) 11855 17840 21705. 1430-1457 7345 11990 15110 17705 17840 21505 (via Robert F Reinecker, Coraopolis PA)
- ✓ CHILE A friend who visited R Nac in late Oct to secure a CB114 QSL for me says the person Q who looked after QSLing SW reports died last year and 'mail was piling up for months and months as no one was taking care of the mail they were receiving from overseas listeners' (Bryan Clark, NZDXT)
- ✓ DENMARK All the R Denmark 55-min bcs 10/12 on 15165 will include an EG segment during the E middle half; and this will be repeated 21/12 (Finn Krone, RNMN 3/12) Spl pgm marking the Q 25th anniversary of DSWCI; reports with 1 IRC sent to DSWCI's new addr, Tavleager 31, DK-2670 Greve Strand will receive a DSWCI Special QSL and be forwarded to RD for normal verification (Dec DSWCI where nothing was said about it being in English) Some EG 21/12 1240+
- ✓ ECUADOR Some good Qs for news are R Iris, 338[37], 1200 & 2330; CRE 4656 at 1100, 1700, L 2200, 0400; R Quito 4920 at 1130 2300 0330 (Tony Jones, Paraguay, RNMN 6/11) R Cosmopolita 3270 hrd w/full ID, wx 8/10 0322, SINPO 54444 (Eduardo H Ink, Argentina, DSWCI) Sometimes DX Party Line produces real DX news: 5/12 Roger Stubbe said he had checked out Greenwood's "Turismo" on 3240 and found that the stn is long gone, but in its place is R Antena Libre, which obtained permission to operate shortly after Turismo left the air. They are at Casilla 65, Esmeraldas; gerente is Luis Velasco. Lots of edl pgms, grammar, spelling, math etc. Sked 1100-0200, 1 kW; have had many tech problems, and only recently have gotten up to 1 kW tho has been active for several years per Roger. He cautions greatly against QRM from 24h R América, Lima, and says RAL is quite weak even in Quito and played a noisy tape to prove it (Robert L Foxworth, NY) On 15/12 DXPL Roger added that RAL is a Catholic-run stn, similar to R Sutatenza [Colombia] and Escuelas Radiofónicas Populares (gh) HCJB is trying a 'split' 13m fq, 21477.5, eves to Eu in order to get further from BBC[later VOA]-21470 and VOA-21485 QRM, ex-21480, reports wanted; our 13m antenna is very narrow limiting us to the 21450-21500 range (DXPL 5/12) And he said it started 4/12; pulling an 'RSA'; measured here 12/12 2139 up toward 21477.6; still gets HF splash from VOA-21470 mx, but should work as P long as 21475 is vacant (gh) HCJB is considering adding a small xmtr on SSB, such as near 21480 on SCUSB, but before we can proceed we need to know if HCJB listeners will tune in SSB bcs; please write to J. H. Kinard, Engineering Dept, telling whether you have a general coverage rx w/SSB capability, and what bands or fqs it covers (Dave Browne, ANARC Dec) The EG pgm dir at HCJB now is from NZ, Richard ---; stn got more than 90 kiloletters and receipts in 1980 from 143 countries (Arthur Cushman, RNZ 7/12)
- ✓ EGYPT For reasons unknown, 4/11 0345 hrd two Cairo AR pgms at equal level around 10086v, on loud carrier being swished back and forth for a total range of about 6 kHz. Thought it was Iraq or Algeria, but definite IDs on both at 0400, and NA on the hour on one channel; then one went into nx, other into Qur'an (Richard Stoller, CT) see also SAUDI ARABIA
- ✓ EL SALVADOR [Cf Dec IN GUATEMALA] 2400 stn apparently here, not Guat; anc's as both "Rumbos" H and "R Tiempo", and has self-produced nx 0255, something which privately owned Sal stns had previously not been permitted to do. Rumbos may refer to a pgm or promotion; yet a third slogan, "Emisora ???" also used. 0255 nx consists of short items (incl refs to Cuban intervention) interspersed w/ads. Nx might have been pretaped from another stn (Dec SWNS)
- ✓ EQUATORIAL GUINEA R Ecuatorial, Bata again hrd after long silence, 15/11 1620 verns, 2055 SP nx relayed from Malabo, 2107 lcl nx, pop mx, 2205* on 4925 (Paul Karagianis, UK, QTH Af) R Ecuatorial obs GMT eves on 5005 also, // 4925; SP nx sked at 2100 relayed from Malabo 6250 and lcl nx 2120 varies greatly; Malabo nx can start as early as 2045 and lcl nx 2100; s/off varies also by up to 20 mins (Miki Včelař, QTH Af 20/11)
- ✓ FAKLAND ISLANDS FIBS presumed on 2370 15/11 SP guitar mx 0006, 0009 fade, BBC nx in progress when f/in again, to 0015; roughly similar to strange skedding noted at SWNS HQ 9/4 (Robert L Foxworth, NY, Dec SWNS)
- ✓ FINLAND R Finland will provide spl coverage of Jan presidential elections, in regular week-

- ✓ L day pgms; also after 17-18/1 nationwide vote extra EG nx 2300, 0100, 0300; electoral college E vote 26/1 live coverage from 1230 trilingual, and xmsn extended if necessary; extra for NAM 1815-1915; and inauguration 27/1 1000 on usual 0930 fqs. Please consult your nearest Finnish embassy about fqs for extra xmsns (R Finland) On 14/11 RF ceased using 25950 1530-1630, P replaced by 21475; EG 1930-2000 on 9540 ex-9755 (WBI 19/11) Air Mail 1/12 said the stn X would not have a DX pgm, contrary to stn's purpose (Mike Tripka, OH, RIB)
- ✓ FRANCE RFI on new 25770 FR to AF 1600 (Hisao Sanada, JADK, via RA DX 29/11) Not noted here but 12/12 1500 when 25820 and 25900 were 20 over 9, RFI was audible on a mixing product, 21740, S8-3 (gh)
- ✓ GABON On 23/11, Africa #1 was using 7200 at 2302*, // 4811 & 11755; since then only a weak and QRM'd signal has been hrd, and it's uNID (Shane Mercer, TX; 7/12) ANO on 7200 //11755 w/Afro mx & IDs 2100-2300*, replacing 4811 on 5/12 & 9/12 only (Ernie Behr, Ont.) ANO is Q now answering reception reports w/a form letter. If you can't get an ans out of the offl addr, try B.P. 184, Franceville, where the technical people are based (WRTH via AWR DX 23/8 via DSWCI SWN Sept)
- ✓ GERMANY EAST RBI sked considerably reorganized; new EG xmsns to ME & NW Af, WNAM, FE, i.e. E 1300-1345 on 15285 15240 11700 9730 9665, 1615-1700 11975, 0645-0730 11890 6080, 0815-0900 & 0945-1030 21575 (WBI 3/12) As usual in winter, ENAM svc very poor reception, but I found 2130-2215 to Eu much better 13/12 on 9620; mixes Yugoslavia during IS 2212 (gh)
- ✓ GERMANY WEST DW andcd on 12/12 0500 pgm that they use heat from one of their German xmtng facilities to heat greenhouses. What a unique way to save energy! (John Pascoe, WA) After L Xmas pgms, 'Familie Baumann' lang lesson series resumes 9=10/1 at 0130 & 0530, Sat/Sun. X Apparently Waldemar Krümmel is in charge of DW GM DX pgm, but Peter Singer seems to be G.G. Thiele's successor for other duties. DX pgm is on 2nd Fri at 0850 & every four hours thereafter into GMT Sat 0050 & 0450, such as 8-9/1 (Ralf F Munster, Decatur GA)
- ✓ GHANA R Ghana sked postmarked 9/11: GBC-1 (local langs) 4915 0530-0800 & 1200-2300 (Sun & Hol 0530-2300); 3350 0530-0800 (S & H 0900) & 1600-2300; 5990 1200 (S&H 0900)-1600. GBC-2 (commercial svc): 4980 0530-0800 & 1200-2300 (S&H 0530-2300), 3366 0530-0800 (S&H 0900) & 1600-2300; 7295 1200-1600 (S&H 0900-1600); report reception to: The Propagation Engineer, GBC Monitoring, PO Box 1633, Accra (via Fabio Borborini) 7295 questionable as corresponding wavelength given as 4.12m; and did they drop 6130 at 0700-2300? (Borborini) Well, 7295 is an old fq of theirs, equivalent to 4.12m, so that's the typo; 6130 is in the external service accounting for its not being mentioned in this sked, I think (gh)
- ✓ GREECE VOG noted after 0000 on new 9865, QRMing Belgium 9870 (Larry Magne, PA, 20/12) D81 NAM sked 0000-0150 & 0200-0350 11730 9515 7295; 1200-1250 & 1500-1550 on 21460 17830 11730. 250 kW on 11730 all xmsns; first two at 1500 are silent on Tues. Other xmsns w/EG segments --0900-0950 Au 17705 15345, 1000-1050 Japan 17705 15345, 1800-1850 SF 21610 17560 11925, 1900-1950 Eu 11925 9655 7110, 2200-2350 SA 11755 9615. D81 sked for 35 kW R Thessaloniki (Radiophonikos Stathmos Makedonias), 0630-0800 Eu 9855; 0630-1030 Sun only CR ME 9815; 1100-1430 Eu/ME 9855 9815; 1930-2030 Eu 9855, all GK; this ever hrd in NAM? (Christos Rigas, IL) Macedonia stn in GK *1926-2031* hrd most days on 9855, zero-beat w/Peking, but since 6/12 on 9855 (Behr, Ont.) Now on two OOB fqs, 9819 to Cyprus/NE, 9859 Eu; stn needs fq counter? (Wolfgang Büschel, GFR, 20/11) EIRT Thessaloniki 9815 & 9575 has local pgms only at 0545-0550 & 1500-1520 Mon; 1530-1540 Sat; 1630-1640 Mon-Fri (DX-clusive, Finland via Play-DX 30/11) see also SRI LANKA
- ✓ GRENADA RFG hrd 19-20/11 on new 990 kHz MW // 15045 but audible after 0030 SW s/off to 0210 M fade, Chuck Hutton, NRC DX editor, says I was first to report them here, and it must be the new Cuban-built 75 kW xmtr (Frank John Petrick, NY, RIB) On 9/11 15045 hrd anncing 'assign ed' fqs as 535, 990 1040; at 2230; they still have tons of 'spy' obits daily (Steve Webster, DX Ontario) As I recall 1040 or vicinity was an old fq of theirs years ago (gh) Re-L cent survey shows Caribbean nx summary in EG is on RFG Mon-Fri 2030 on 15104 (WBI 3/12)
- ✓ GUAM KTWR D81 effective 1/11 to 31/12 EG: 0745-0930 11840, 0930-1000 9585, 1515-1600 11895, E 1530-1600 9640, 0000-0030 15265, 0000-0130 17770; DX Listeners' Log: Fri-0100, Fri 0915, Sat 11895; 3rd xmtr became operational 18/10; 4th on 1/11; total of 10 langs now used. To L learn about Guam, listen to "Dateline: Guam & the World" Fri 0800 11840, 2400 17770 (KTWR via Darryl Holland, NY) 15265 // 15135 EG 2200, G 27/11 (C Dondi, Play-DX) This is listed as in Mandarin (gh) Maybe just an EG ID? (gh) 4/12 DXLL andcd further changes, fq swapping E among services in 1400/1600 period; as of 1/1, some of the Indian svcs dropped in favor of X more EG: Mon-Thu 1415-1600, F-Su 1430-1600 on 9505 (Rob Williams, NSW) DXLL now Fri 0100 on 17770, 0900 11840, Sat 1515 11895, but these will change from 1/1 (Yasuji Yamada, Kanto DX-ers Circle) DXLL Fri 1060-11840, 1340 15350 (Arthur Cushman, early Nov via DXPL 1/12) ?? I P hope they will soon figure out what to do with all 4 xmtrs and settle down (gh)
- ✓ GUATEMALA R Nac de Guat's been using 9760, hrd 29/11 OC 1230, marimba mx 1257 //6180, both good sigs, no breaks till 1324 IDs (Steve Reinstein, FL) Ems Unidas net reported 19/11 that R Nahualá, a cultural stn in Sololá Dept had been seized temporarily by 'guerrillas' who had forced the stn to bc a recorded cassette with anti-govt communiqué in an indian dialect & SP. Before fleeing, they damaged some of the stn's eqp (WBI 26/11)
- ✓ GUIANA FRENCH Cayenne on new 5055 13/12 *0958 in FR, VG until TIPC comes on (Andy Newton & Maxfield Greenwood) Also noted here at 2245 21/12 (Victor C Jaar, FQ) Me too (gh)
- ✓ GUYANA 5980 11/10 0933 ID "This is the V of the nation of the beautiful land of Guyana"; other days a "Demerara" ID, and a very audible "This is the V of Guyana" ID; no carrier before 0900 (Maxfield Greenwood, SPEEXGRAM) Despite these reports of 5980 reactivated, I still contend that they are incorrect; I'm yet to hear anything from Guyana there after crawling from my warm rest period each morning to check the fq; and I can't see why GBC would ID as the defunct R Demerara (Steve Webster, Ont., ODXA) Another DX'er in NE US has lost sleep checking this to no avail. A friend of mine in Georgetown will finally settle this, I hope (gh)

- ✓ HONDURAS Seem to be 2 or 3 harmonics on 2400; believe I had R Centro, San Pedro Sula, 3 x H 800 26/11 0200; also hrd R Honduras mentd; but R Tiempo, San Salvador also hrd later and hard to separate which is which (Charles George, Dallas TX)
- ✓ HUNGARY R Budapest for D81 changed one Nam fq, from 6025 to 6000, not that it makes any difference (gh) 6025 on the Wed/Sat Q130-0200 but 6000 after 0200 (WBI 26/11)
- ✓ INDIA Per latest sked, AIR to NEAs 1000-1100 on 21695 17387 15350; EG also to there at E 2245-0115 on 15320 11895 9912; some days unlisted 15110 // (RA DX 29/11) AIR DX Corner is 2 X & 4th Mon 1040 1435 1630 2030-2130, Tue 0040, but also 1830 [Mon?] (Indian DXer, SCDX 1/12) H On 5725 at 0100 no Peshawar but AIR Najibabad 6th harmonic of 954 (B L Manohar, India, UADX) 26/10 5184 kHz AIR EG nx relay G, unlisted fq (Victor Goonetilleke, Sri Lanka, UADK) Time?
- ✓ INDONESIA RRI Banda Aceh is off 3905, RRI Padang is off 4003 and no longer on 3960 (Victor Goonetilleke, Sri Lanka, Play-DX 23/11) RPD tingkat 2 Tanah laut has changed to new 3493, from 3581; VG around 1400 (Geoff Cosier, Australia, SCDX 16/11) unID Indo on 3804 // most Indos till 1320, then local, then // again at 1330 (Mitch Sams, AR, 1/12) RKPD2T Magatan, presumed, Indo talk, EZL mx, pips, VP 1335 6/12 on 3484; unID Indo on 6554, Song of the H Coconut Isles, pips & "RRI program ---" ID at 1400, maybe Jakarta 2 x 3277? (Mitch Sams, AR) RRI Nusantara Tiga Medan at 1245 on 6751.5, 2 x 3375.75 (Victor Goonetilleke, Sri Lanka) RRI U-P, 4753.0 more or less consistent during latter part of Nov at 2110+, pre-listed s/on 2130. Very strong sometimes, esp 23/11 when positively obscene level (Richard Stoller CT) 4805 is definitely RRI Kupang, // 90m channel 0900-1500+, 300 W (Tate, AU, SCDX 8/12) RRI Jayapura on unanod fq 5045 //6070 & 9612, 2100-0020, 0400-0620, 0655-1130. 3491 has Jak nx 1500 (Arthur Cushen & David Tucker, Indonesia, SCDX 15/12)
- ✓ IRAQ 21/11 had Iraq strongly on 6095 // 8828 1458-1620 in AR; pips, yes 1 min late at 1501; no pips but clock chimes late at 1601. I wonder if the whole flaming place runs a minute behind? At least the Chinese are 59½ secs closer to reality (David Newkirk, Seattle, 21/11) 8828 hrd most early local mornings ca 1300-1500 weakly; don't think it's unintentional (New kirk, 30/11) Since 8/11, R Baghdad DS V of the Masses relayed on 8827.7 0330-1730 apx (WBI 19/11) VOM DS at *0230 announces this: 21585 15400 to Arab Maghrib States; 11785 7240 to Arab Peninsula, Sudan, Somalia; 9555 Syria Leb Jord Palestine Egypt; 6095 Arab Gulf & Ahvaz (WBI 3/12) Baghdad is on 3368 ex-3240 (Dene Lynneberg, Pukerua Bay, NZ, NZ DX Times Nov)
- ✓ IRELAND S Dublin R and 15/11 that it would be testing to Nam again 29/11, 6/12, 13/12, no time but was *0500 before; fq adjusted 15/11 from 6243 to 6240 (Mike Barraclough, UK) 29/11 Q 6243 apx 0744-0800*, great sig, pop mx, OM ancr, TCs; 2 IRCs needed for QSL; IDed both as SDR and South Dublin Radio (John Fisher, Chelmsford MA) On again as promised 6/12 on 6240. - 75 apx, decent sigs, about as good as 29/11, same pgms, lots of rock/disco (Bob Foxworth, NY) 6/12 6240 0637-0650 SDR pop mx, "Kool & the Gang", IDs, TCs, G (Lobdell, MA) SDR loud 0610-0800+ or so, 6241a, popped off 0704 & other times, but vy loud, always comfortable lig tening & always far louder than Dublin ever is/was (Richard Stoller, CT, 7/12) 6/12 0600+ on 6240.3, IDs, mx, 25332, K-index was 1 (gh, TN) Fair 13/12 0624 6240 apx, Fleetwood Mac, IDs (Phil Marshall, CA) SDR will also test all Sundays in Jan & Feb, probably on 6240, but also check 6243.3, 6245, 6245.6, 6247 & their 2nd harmonics; basic power close to 1 kW, which explains 'local strength' in Oct on ECNAM, and reaching 3 NZ DXers. If you hear Sonic R or any non-SW names on 6280, or unusual test fqs like 5350, 5925 or 6870, you are probably hearing a relay by Westside R, Dublin (John Campbell, DSWCI Dec)
- ✓ ISRAEL V of Peace on 1539 kHz from ship off the coast, and 5/12 that its xmsns from sea'd M close down in 27 days, unless granted permission to transmit from land base (WBI 10/12)
- ✓ ITALY RAI hrd on 28940, 4 x 7235 afternoons during GK 1520, VG (Podney Sixe, UK, WDXC ENS) H RAI Notturmo Italiano, 6060, 28/11 0145-0206 P-F o/Cuba w/EG nx 0203 (Tony Clift, Ont.) E Italian BCing Corp, Autumn-Winter 1981 sked: 24h daily on 11590 nonstop mx; Sat 0930-2400 on 6275 in IT EG FR GM; Sun 0000-2000 6275 & 7365 same langs, 21440 USB oclt tests; dipole X ants on each but powers differ: 6275 100 Watts, 7365 150, 11590 10, 21440 300. Pgms con-L sist of various DX pgms & mx; also Listeners Mail, Sound Special(hi fi), or Space News (IBC via Play-DX 30/11)
- ✓ JAPAN During my visit to R Japan, Hisao Tanabe said there would be considerable change next P spring, in many regional services, and the General Service format would no longer be 15 min EG + 15 min JP (Isao Ugusa, DXFL) D81 IFRB White Book shows SSB tests from Oyama, 10 kW xmters to Japan on .7168 7173 7183 7198 11758 11798 11803 11848 15203 15233 15253 15428 17773 17848 17853 17858 (RNMN 26/11) What's all this about? (gh) Best fq for FEN Tokyo after 0830 is 3910; 6155 is QRMed by Russian after then; I think it's Rasnoyarsk, which has a Dec sur set of 0911 (John Pascoe, Arlington WA)
- ✓ KALAAIT NUNAAT Greenland stn says they've been off 3999 for abt 3 months due to technicians strike and confirms 9575 5980 no longer in use (Paul Karagianis, UK, UADX Sept/Oct) CE Dec LN (gh) GR in GL 11/11 1029 IDs on 4000; ham QRM reduced SIO from 322 to 211 (Maxfield Greenwood, PA, Go-DX)
- ✓ KAMPUCHEA V of People of Kampuchea xmt started wandering late Sept: 7404 down to 7352.5 and remained there about a week 27/10, 30/10 same, 31/10 Sarath noted on 7315 and I on 7318 at 1100. At 1400 Sarath had it on 7315. 4/11 on 7325 //6090; 6/11 1300 on 7326 //6090 7008 (Victor Goonetilleke, Sri Lanka, UADX) Sked *1100-1400* Sat, other days 1330* but some days extends beyond about 15 mins variable; no sign of 7003v (Sarath Weerakoon, ibid.)
- ✓ KASHMIR AZAD Official S81 R Pakistan sked reveals that xmt r API-8, Islamabad operates: 0045 -0430 on 6010, 0600-0930 7265, 1200-1400 6275, 1415-1800 4980, all 100 kW. These happen to correspond to Azad Kashmir Radio as monitored (exc 7265, and 6275 from 1140) the not specified as such, so these xmsns are via PAKISTAN (Victor Goonetilleke, UADX, sked fr N Green)
- ✓ KAZAKHSTAN Alma Ata on 23900 at 1045, 2 x 11950 which was not hrd (Victor Goonetilleke, Sri Lanka) In addition to 29800 (5 x 5960) w/2rd pgm, which is hrd most days early & late morning and often quite strong, pgm 1 audible on 29340 (3 x 9780), much weaker (Podney Sixe, UK WDXC Express News Service)

- ✓ **KIRIBATI** [Cf Jun LN-6] With independence in 1979, "Gilberts" was transmuted into "Kiribati", the best Gilbertese equivalent (William Howells, Ph.D, Harvard, parenthetical remark in S in excellent and profusely illustrated with 128x-size stamps article "The good fortune of Nauru" in Harvard Magazine, Nov-Dec 1981 via Grant Sharman, CA) R Kiribati, 16433 1800-19 30 7/10 & 1/11, local mx, 1830 lcl nx, 1900 R Australia nx, 23222 (Mike McGovern, Ireland & Roland Schulze, GFR, DSWCI) Not often reported at this hour in NAM tho s/b possible (gh)
- ✓ **KOREA NORTH** unID NK on 2767 at 1307 27/11, weak // 2850 2745 2775 (Mitch Sams, AR) R Pyongyang, SP on new 9550 1300-1450, good (Bill Bergadano, NY) Cf Dec 25600 unID LN: I's NK H HS, 4 x 6400 (Dene Lynneberg, NZIXT) 2767 doesn't work out as a MW harmonic. see CHINA
- ✓ **KOREA SOUTH** Direct info from KBS confirms the 1300 bc is only 30 min, on 6135 (Bill Mattheews, OH) New pgm sked effective 5/11 shows i.a. (in mins after xmsn start) Sun 15-30 KBS L Magazine, 40-60 Listeners' Corner; Mon 40-50 Inside NK; M-F 27-30 Let's Speak Korean; T/W/T 30-50 This is Seoul! Fri 15-27 History & Culture, 30-50 DKers' Hour; Sat 40-50 Folktales & Proverbs (via Kraig W Krist & Richard A'D'Angelo, Jan RIB)
- ✓ **KUWAIT** RK on new 15495 in AR 1600-2110*, //17650 9880 9840 & new 9750, which continues past 2200 in AR, 8/12 (Ernie Behr, Ont) RK has stated DB1 svcs to Eu: AR DS 0630-1030 21570, 1100-1300 15495, 1300-1330 21685 15495, 1330-1500 21685 15495 15430, 1500-1530 21685 15495, 1530-1600 21685 9840, 1600-1800 21685 9880 9840, 1800-2115 15495 9880 9840. Eu svcs in AR E 0815-1300 21685. EG 1800-2100 11675 (WBI 26/11) LAOS see VIETNAM
- ✓ **LATVIA** Riga 5935 S9+20, local sig, Russian to opening in Swedish at 0800 6/12. No reason to fight QRM & schmutz in the afternoons! (Richard Stoller, CT)
- ✓ **LEBANON** Haddadland: Major Saad Haddad's forces are at war with the PLO but gets electricity from the PLO and in return sells them gasoline. Most of the men in Haddad's supposedly Christian army, which is trained and equipped by Israel, are actually Muslim. In this southern Lebanese enclave the only radio stn is the V of Hope. While Haddad does on occasion make use of the stn, most pgms in religion and country mx w/occl Leb tunes. Haddad keeps a firm hand on political affairs, but economically almost anything goes. In the midst of war Haddadland is thriving (Dan Goodgame, Miami Herald 14/9 via NNRC) VOH is being hrd in ENAm on 6215 at 2300a* as well as from around 0430 (SWNS Dec) *0400 pips EG ID, Leb anthem, Christian pop mx, 0450 nx, good 5/12 to 0510 (Chris Lobdell, MA) VOH definitely on 6215 around 0430 in EG, talking abt Leb, but sounds like a regular US AM stn (Shane Mercer, E TX, 7/12) R Lebanon NAM svcs 26/11 0230 EG, vy strong 30/9 after 0300 in SP, fqnt IDs (Fabio Borborini, NY) ES to NAM now hrd on 11780 0130-0330 (WBI 10/12) Oops Fabio also 11780
- ✓ **MALAWI** MBC extended xmsn hours. 3380 100 kW to 2330 w/EG nx 2325; *0255 on 3380 (QTH AF E 20/11) On RNMN 10/12, Richard Ginbey predicted this and other Saf stns, SABC, Lesotho, L Botswana, Zimbabwe, Zambia, Mozambique would stay on late to 2300 or 2400 New Year Eve(gh)
- ✓ **MALTA** I've been hearing Intl Christian R, 2100-2115 on 9515, w/Toronto addr; where does this stn bc/originate? Nov SPEEDX says under Malta w/note via R Mediterranean. If this is true Malta is coming in w/SINPO 45444; any info? (Kraig W Krist, VA) As previously reported in LN as well, bcs do come from Malta; the SINPO is not remarkable; 250 kW; not unusual for religious pgms, which this is, to have addresses differing from xmtx location (gh) Xandir Malta hrd 1st Sat of Nov at 0700, spectacularly good sig; speaker did not mention 9605; hrd on 9670; Malta knows very well the QRM due to Polonia [9675] (Fabio Borborini, NY) **CRANNY**
- ✓ **MAURITANIA** Seems to have settled back to correct 4845 after several drifts down the band, as low as 4815; this isn't the first time this has happened; seems to occur at least once a yr (Steve Webster, DX Ontario Dec)
- ✓ **MAURITIUS** MBC Port Louis DS at 0200-1830, switching from 9710 to 4855 at 1300 includes these langs & pgms: 0200-0202 Wx forecast in FR. 0202-0300 pgms in Indian langs incl nx E 0240-0250 (Gujarati, Hindi, Marathi, Tamil, Telugu, Urdu). 0330-0350 FR nx. 0400-0415 EG nx. 0600-0603 FR nx summary. 0750-0755 Sat, FR nx summ; 0800-0810 Sun FR nx. 0830-0840 M-F FR nx. 0900-1030 Sun Pgms in Chinese langs incl 0930-0945 Hakka nx, 0945-1010 Cantonese nx. 0930-1030 Tue/Thu Chinese langs incl 0945-1000 Hakka nx, 1000-1010 Cantonese nx. 1030-1430 Indian langs incl 1100-1105 nx summary, 1355-1410 nx. 1500-1520 FR nx. 1600-16 03 & 1730-1733 FR nx summary. 1800-1810 BBCWS EG nx (WBI 19/11) -1809:20 (gh)
- ✓ **MEXICO** Since the end of Oct, I have not hrd RMI at 2000 on 15430, and it may not be active on other fqs the rest of the day either (Horacio Hinojosa Arce, Monterrey, 26/11) 15430 E came on intermittently between 0330 & 0400 GMT Mon 7/12, at least allowing me to confirm EG at new time; good when on (gh) R Huayacocotla, 2390, booming in at 1210 w/Mex folk mx, fiddles, ID, TC 1215, more mx, 1223 ID, fqs, 1233 coughing on mike, off air for 3 mins, 1239 YL info (Nathan Murff, Albuquerque, Nov SPEEDXGRAM) 30/11 G around 1230 on 2390 w/ID, Amanecer Huasteco pgm (gh, Enid OK) Hrd LV de la América Latina, 15160, 0 0310 16/11, vy weak; what is purpose of this stn? Would far prefer to see my favorite, R Seis, back (Stoller CT)
- ✓ **MONGOLIA** The RUB annt I hrd implied same 3 fqs for 3 xmsns and no longer mentioned one at E 1715 so assume that replaced, but: (gh) EG 1220[sic, surely means 1200]-1235 12070 6383; 1400-1435 12070 7235, 1445-1520 12070 7290, all exc Sun (WBI 26/11) Best at 1200 on 12070; not hrd on 7230 (Arthur Cushen, NZ, RNZ 7/12) vy weak on 7235 at 1400 after 3 min IS (Jonathan Marks, RNMN 26/11) Can be hrd in Eu on 12070 in EG at 1715-1745 (Mike Barraclough, Nov WDC Contact) Recent fq survey of RUB DS Pgm I, 2200-1500 daily, shows it hrd on 1825 7263 5053 4995 4850 4762 4080 3960; some of the tropical band xmsns may be off the air during local morning and afternoon. RUB Pgm II is on at 0830-1023 on 6383 5960 (WBI 26/11)
- ✓ **MOROCCO** RTM has a multi-lingual hour Sats at 1700 on 15335, EG, FR, SP, AR (SCDX 8/12)
- ✓ **MOZAMBIQUE** R Moz ES, 9618.8, hrd 6/12 in EG 1800-1830* w/NA, On 15306v PT & mx 0430-, some E days on 15296v (Behr, Ont) 9525 xmtx varies 9435-9690; 7240 alts w/7185; 4865 varies 4795-4810 (Richard Ginbey, RNMN 10/12)
- ✓ **NAMIBIA** R SWA has had only 1 SW xmtx on for months: 4965 1515-0615, 9650 0615-1515 (ibid.)
- ✓ **NEPAL** [Cf Dec LN] Gordon Darling got a R Nepal QSL thru a contact in a WEU embassy in Kath Q mandu who hand-carried his report to stn; they cannot afford to reply to the 3500 backlog-

- ged reports since Nepal isn't UPU member and IRCs aren't valid. You might instead get a pers~~onal~~ Nepali nepal, vacation next in the Himalayas or try mint stamps; postage on his letter~~s~~ 10.25 Nepali rupees (WDXC via WDXC) That's registered airmail; recommended...
- NETHERLANDS** R Jan Rap plans test from 0515 or 0530 to 0730 Sun 20/12; and 3/1, 17/1; on 6274 at least for first; also can go on 6239 6244.5 6279.75 6281 6318 and others in the 6600-range, 41m and 11480. Wants ideas on when to test on 11480. Power is 150 W, homebuilt 4-tube xmtr w/813 in the final (type QB 2/250) PA stage. Ant endfed wire, 25m, 7m high, inside a bldg. Addr: Jan Rap, PO Box 12, 9514 ZG Gasselternijerveen. Says is often on 7290 at 0950 when DW s/off. He is 35 km S of Groningen; age 21. In 14 months on the air has received 430 reports from 14 EU countries. This test was inspired by last year's successful Nolan test, whom Jan Rap knows (Foxworth, NY) R Cornflower (Korenbloem) is listed in the latest (4/81) DDXLK Hobby Pirate List w/the most unusual sked of 11300 kHz every Fri morn. QRA is Box 82, 7711 GD, Nieuwleusen (Alan Roe, WDXC ENS Nov) Now we know why Media Network had not publicised RN France feeder fqs--they were answers to a competition. Some MN topics: 14/1 Dutchethnic stns in USA; 21/1 WARC 84; 28/1 RIB feature; on 1430 bc only, Asian Special: being in Sri Lanka; others, phase two of RN computer experiment: a sunrise-sunset program suitable for the SWL w/the following computers: Sinclair ZX-81, TRS-80 Model 1 Level 2, and PET; maybe Atari too tho not available in Eu (gh, info from RNNN) RN's SP DX pgm, Espacio Diexista, is about to introduce a 10-min mini-DX pgm on the RN transcription P service, "Ondas Cortas", to promote DX on LAm stations (Espacio Diexista 12/12)
- NETHERLANDS ANTILLES** From a TWR tech info sheet: Xmtrs are Continentals, the 500 kW MW and 250 kW SW vapor-phase cooled. Electrical power is generated in TWR power plant of two 16-cylinder Alco diesel engines with Westinghouse generators capable of 3.2 megawatts total. Diesels weigh 45 tons each; also a 50 kW diesel generator unit for aux lighting, small motors, etc. Antenna system: total of 9; 32 towers, 50 to 550 feet high, make up various ants beamed to NCC&SAM, India, EU, ME. Seven vertical corner reflector ant systems and two M curtain systems. MW directional array is a single 550' driven tower flanked by four parasitic towers of 500' ea. Available patterns incl omni, figure 8, NAm, SP SAM, PT SAM. Patterns are switched by remote control from xmtr console in fraxion of second (via K W Krist)
- NEW ZEALAND** RNZ hrd on 17705 17102 0350-0630+; last hrd on 17860 23/1 0315 co-channel Moscow and not hrd 30/11 when 17860 checked; 2/12 f/in u/lang stn 0025 which s/off at 0100 (Rick Lucas, Stockton CA) No Pacific Is could hear the old fqs, so revised sked 30/11 1/2: 1700-2240 11960, 2250-1115 17705, 1700-2005 15485 to Pac; 2015-1115 15485 Au/NWPac (T King)
- NICARAGUA** R Zinca, 6121 has this simple address: R. Bluefields, Zelaya Sur, Nicaragua according to Juan Maltes (Giuseppe Zella, Play-DX 30/11) Maltes is VozNiz 5950 intl pgm dir
- NIGERIA** Some VON pgm changes on 15120: EG 0500-0600, FR 0600, EG 0700, AR 0800, EG 0830; E no changes on 7255 and 11770 (QTH Af 20/11) 15/11 0538 VON hrd on 15185 until they went into FR (Frederick D Burney, Jackson TN) VON currently hrd on 17800 // 15120 0500-2200 (WBI 10/12) R Nigeria reported 26/11 that the Presidential Adviser on Info said the establishment of R Nigeria Ikeja was aimed at 'correcting the falsehoods being bc by R Lagos', and that the Lagos State Govt had 'never cooperated w/the Fed Govt but was only spreading malicious rumours against it'. (WBI 3/12)
- NORWAY** R Norway on 21795 daily 1600, // 21725 21655, possibly spur (Bob Zilmer, NM, SPEEDX-CRAM Nov) Yes, mixing product @ 70 kHz separation (gh) /see also KASHMIR
- PAKISTAN** "R Pak, Karachi," said the EG ID at 2143 before the strong hummy carrier's audio E went silent; carrier itself was still on at 2144; and something like the "Genl Svc" or whatever after raucous slide-electric-guitar grandiose rock -- something I'd not expect to hear via Pak, actually. Unhrd on 6130 if this reception on 12259 22/11 might have been 2nd H harmonic (David Newkirk, Seattle WA) EG to UK/Eu 2045-2145 on 11670 & 15500, intl pop mx, and IDs every quarter hour (SCDX 8/12) Variant fqs monitored here compared to nominals on S81 HS sked: 9548 (9545), 7092 (7095), 11812 (11815) all Islamabad; 9428 (9425), 9850 (9805), 4812 (4815) all Karachi; 5727 (5730) Peshawar; 4695v (4710) Quetta; 5006 (5010) Rawalpindi. The HS fqs which hardly change in most countries, keep changing almost every season in Pak. Beats me how Pak listeners can keep track of them; and I can't understand why they have to change in the first place. Any answers? (Victor Goonetilleke, UADK) Maybe fq mgr thinks he has to keep changing them to prove he's on the job, hi (gh) A survey of Quetta's variations: 4/11 4964.5, 25/10 4708, 21/10 4695, 20/10 4699, 19/10 4703 (Victor Goonetilleke, Sri Lanka, 2 steps away from Pak, Play-DX) R Pak now is jammed when in Dari to Afgh 1600-1800 on 5095 & 5744 (Victor G., RNNM 26/11) R Pak on new 21803 0900-1115*, mostly UD E but EG nx 1005-1010 & 1100-1115; varies ± several kHz around 21800 (R Chester, SA, RADX)
- PERU** [Cf Dec LN] Rare stn not hrd ever here [before?] is R Pucallpa. It could be 22/11 w/rd during the first days of Nov on 6156 after 0100*v s/off of Uruguayan R Carve, 6155; HTH says 1 kW (Emilio Pedro Povrzenic, Argentina) Finally IDed 6156 as R Pucallpa, ID w/TC during 0959-1039 reception 2/11. Usual tropical baladas and instl mx (Ralph W Perry, NJ, R Nuevo Mundo, Japan) Some recommended nx pgms: "Radioperiódico Impacto" weekdays 0235-0300, and "Sucesos" 0130-0200 on R Atlántida, 4790; R. El Sol, 5970 at 1130, 1800, 0500. The Camajamarca stns may be unlicensed as they are all out of band and don't announce call signs; mostly mx (Tony Jones, Paraguay, RNNM6/11) R Satellite, tent, 6727, SP talk, local mx, ute QRM 6/12 (Mitch Sams, AR) Time? (gh) R Siciuan recently on 4835; R Rio Amazonas reactivated 4870; R Del Pacifico reactivated 4975 (ADXL via Go-CDX)
- PHILIPPINES** FEBC, 9755, since 6/12 w/RS relig pgms 1500-2000; new sked or xmtr? Hoping for Saipan but no ID hrd (Behr, Ont.)
- POLAND** After I learned at 0600 13/12 that all public comms w/the west had been cut off, I tuned in R Polonia's 0630 fqs of 9675, 7270 and 6135 but did not hear them (Ralf F Munster, GA) As did many others, including me, but still no sign of it by 22/12; press reports indicate about the only bc stns remaining on were Warsaw longwave; winter reception of the 0200 & 0300 "NA" svcs is so bad they could easily be overlooked; keep checking 0630 (gh) More:

- Solidarity may have, or had, its own clandestine radio station. Single frame viewing of a Polish TV newsclip reveals part of the materials confiscated in a raid of a Solidarity-member's Warsaw apartment included a program sked for a "Radja Solidarnosc". The program bulletin called "Informator" appears to be the size of a FRIENDX and was part of a cluster of magazines and bulletins issued by Solidarity. The Polish TV film was carried by CNN and other nets Wed 14/12. Video was monitored here at KPNC-TV several times in still-frame mode. Maybe they just had plans for a station and never got it on the air, but went ahead w/printed sked anyway (Serge Peter Neumann, Phoenix AZ) PAP reported that Solidarity's access to Polish R&TV was main topic of press conf for foreigners 13/11. Solidarity wanted to use state facilities but retain control of program content, which 'would tear apart R & TV', said the head of R&TV, and agreement would be difficult to reach (WBI 19/11) Other pre-crackdown info: R Polonia
- X DX Talk is now only at 0630 1600 2230 on 2nd & 4th Suns (Ray Brown, WDXC Contact Dec)
- ✓ PORTUGAL [CF Nov LN] RTE in Sines is a special company put together by DW and the Port State; since approx 1972 there have been 3 250 kW xmters (originally ordered from Marconi for the planned DW station in El Salvador in 1967!). One xmttr is at disposal of the Portuguese alone, who are selling airtime to such orgs as IBRA, AWR, R Japan, RCI and even to DW in a mixed calculation. In past DW used 3rd unit on late eves for its SC & EG sce to EU in several channels in 49 41 31 25 19 mb; see also WRTH 1972. Now DW is using 3 xmters at Sines for GM at 1200-1400 on 17865 (not 11795), 15105 and 21680. Similar sharing of airtime is known on the DW relay station Cyclops, Malta, on MW 1557, 5960, 9670 for Malta Calling, 9515 for IBRA, 9615 for AWR Suns (Wolfgang Blüschel, Stuttgart) R Portugal via Sines, 11950, 11/11 *2200-2230* instead of usual program, light mx replaced it this day, line problems, repairs necessary; ID and explanation every 3 mins in EG/JP (Richard A D'Angelo, PA) RP on 15570 around 1350 in PT, sports nx; spurious radiation (Blüschel, Nov WDXC) RDP on 6005 28/11 0240 folk mx in PT (Tony Cliff, Ont) RDP EG 0300 on 6005 ex-6185; bad 1 kHz het from somewhere [COSTA RICA -gh], 19/11 & 22/11. New revised sked shows EG to Af 1830 on 15335 ex-15235 (Kevin W Davidson, Easley SC) You mean 1800? (gh) R Portugal EG 0300 on 6005 not 6185 30/11 (Jim Conrad, IA) But then I checked and found it on 6155 instead //11925 (gh) Am hearing EG 1700-1730 on 17880, not 1600-1630 21475; during their 3/12 mxsn I checked 21475 and found no //there so I assume they've changed both time and freq. After 1700-1730 EG, FR to 1800 then PT, believe to 2130* (Bob Palmer, Spokane WA) Maybe, but Sun timings are diff as anecd, no 1600 and the 1800 one hour earlier on fewer fqs--but 3/12 wasn't a Sunday... (gh) RDP ES anecd that from 14/11 PT to Af 1900-2100'd be on 17880 15355 15265 (WBI 19/11) R Rencascenza the Catholic station, now hrd in PT 1830-2030 on 9525 (WBI 3/12) This mxsn for emigrants contains regional nx 1835-1855 & natl nx and sports 1930-2000. Amnts say there's also a sports pgms svc Suns 1445-1800 on 9680 (WBI 10/12) Ron Myers has resigned from position of manager, AWR-Europe, as of 1/10 (WDXC Contact Dec) see also SWAZILAND
- ✓ QATAR QBS now hrd in AR DS 0245* thruout day on 15520 (WBI 26/11) 6/12 1944-2020+ on 15505. QRM Colombia 15503a (Steve Reinstejn, FL) Since 29/11 1300-2100 on 15505 ex-15520 (WBI 3/12) Also noted on 15505 (Victor C Jaar, PQ, 21/12)
- ✓ ROMANIA R Bucharest program for "radio amateurs" 0245 15/12 on 9510; while the stn mentd were X all ham, the propagation info can be helpful to DXers (Tim Lilley, Westover WV)
- ✓ RUANDA HS on 6055 hrd 28/11 from fade in 2030 to 2100*, pop, disco, FR amnts, short NA, ID E in FR & EG (Andy Newton & Maxfield Greenwood)
- ✓ SABAH R Malaysia, 5980 and 4970 not // now; 4970 Malay, 5980 incl EG nx 1200 (Victor Goonetilleke, SCDX 1/12) /WFB5 (Broadcasting Magazine mention)
- ✓ SAIPAN Planned station is KFBS, as in Far East Broadcasting Station (Dale Park, HI) see PHILIPPINES
- ✓ SARAWAK [CF Oct LN-10] Following 31/10 survey, found NL info very inaccurate. No such restricted cpn noted; 4895 is very much active; everything in WRTVH 81 is correct except 4835 is not net J but Y (a typo); 7145 measured on 7144.5 causing het; // 5005 6050 6060 7260 to 1500* (Victor Goonetilleke, 4/11, UADX)
- ✓ SAUDI ARABIA Riyadh, 5875, AR 1400-1505 f/out 29/11 // 21505 (Behr, Ont.) BSKSA D81 SW sked: AR: 21505 11-17, 15060 15-17 both 2950, 15060 17-23 3100, 21505 17-20 & 11965 20-23 3100. 11950 9720 7220 5875 all 03-07½ & 10-23 ND. 11870 05-15, 7290 03-08½ & 10-23 all ND. Holy Qur'an: 17895 06-08 40°, 11685 06-08 10°, 21665 08-11 70°, 21545 08-11 100° & 18-21 250°, 11685 18-21 295°. Farsi 03-05 7245 40°, 15245 55°. Turkish 04-06 15060 & 11685 320°. Indo 11-13 17860 & 21670 1000°. Bangali 13-14 15345 11900 70°. Urdu 14-16 same. Swahili 16-17 11910 15430 1900°. Somali 17-18 9520 11910 1750°. FR 05-07 & 15-17 11855 1870; EG 11 (Th/ Fr 10)-13 & 17-21 11855 1870° (Via Joseph Slomka, NY) Note the beam on the EG, almost due south; if from Riyadh, across Aden, Somalia, and down the Mozambique Channel, hitting Prince Edward Island; perhaps whoever set this up used PEI coordinates for typical ENAM beam and looked up the wrong one! (gh) Persian also on 15430 (WBI 19/11) And maybe 14490! (gh) unID AR on 10080 13/12 +0559-0612* sudden off, mentioned Jeddah, Arabiya, not SSB (Phil Marshall, GA) Sounds like same as Stoller's Egyptian; or could be VOIMET? (gh)
- ✓ SENEGAMBIA On 15/11 BBC nx said Senegal & Gambia had confederated, apparently earlier than previously predicted (Harold Sellers, DXO) Senegal & Gambia will form a confed but the two states will remain sovereign nations; communications systems to be integrated. The union to be completed by Jan 82 (AP, mid-Nov via Richard A D'Angelo, PA) RNMN 10/12)
- ✓ SEYCHELLES FEBA not hrd since 26/11 coup attempt; similar behaviour in past coups (Ginbey, /
- ✓ SIERRA LEONE We have enough trouble keeping SLBS (here) straight from SLBC (Sri Lanka), but now BBCMS refers to this one as Sierra Leone Broadcasting Corp. (gh) 5980 at 0558-1030 & 1545-2045 tho MW 1205 on to 0005 and continuous Suns (WBI 3/12) Maybe so but I hrd 5980 not long ago at 2245 (gh) in EG & local langs Krio Limba Mende Temne (WBI)
- ✓ SINGAPORE BBC Kranji very regular w/WS on 23500, such as at 1016, 2 x 11750 (Goonetilleke)
- ✓ SOMALIA Since 10/11, R Mogadishu has relayed DS on 9585 instead of 6095; 9585 normally carries ES & [cland] V of the W Somali & Abo LB Fronts; these are now not hrd (WBI 19/11) Resumed 6095 for DS 23/11; ES remains unhrd (WBI 26/11)

- SOUTH AFRICA** Strange: RSA ES in EG to Af 4880, // 4990 et al, all P-F; not 4990 punch-up error since it's there too; guess it's AK-svc xmt; 0330 would be pre-s/on for that svc, right? 30/11 (Richard Stoller, CT)
- SRI LANKA** AFP reported 6/12 that Sri Lanka invited R Moscow to establish relay there, in P accordance w/SL's non-aligned policy, since VOA & DW had been granted relays; USSR has not responded so far and it is thought they don't really need it (WBI 10/12) Some corrections to VOA fq sked: 7105 01-02 Hindi & Urdu is not Colombo but Kavalla [GREECE] ex-7170. Also Kavala 7205 ex-7200 01-04; 11710 Colombo ex 11715, all changes since 15/11. Current VOA E Colombo sked is all EG: 01-04 7115 (10 kW), 11710/15250 (35) 01-04. 13-15 7125 (10), 13-19 9645 (35), 15-19 7105 (10), 13-19 15395 (35) (Victor Goonetilleke, Sri Lanka) Latest skeds for AWR Asia are still contradictory; for Radio Monitors Intl at 1100-1130, one shows 11800 X the other 11835, both agree on //15120 17850. Some upcoming topics: 3/1 Bayrak Radio & RCI DND, 10/1 R Venda & Burma visit; 17/1 Lesotho & Focus on Tokyo; 24/1 Ascension Island & Australian Mini-SW stns; 7/2 Thursday Island & Scituate Stations (gh, AWR India) 9720 is now back on fq; KBS het at 1330 is gone (Bill Matthews, OH, 9/12)
- SUDAN** On 22/11 the R of the Dem Rep of the Sudan obs 0430-0500 & 1000-1030 on 11854 (WBI)
- SWAZILAND** Radio SR hrd P-G on 6155 *0300 22/11, 23/11, 24/11 but since then R Portugal has occupied fq (Shane Mercer, TX)
- SWEDEN** Amnts on RSI indicate that George Wood, DX Editor is now on vacation in California X but will not be back on the air until April; meanwhile Sylvania Englund of the FR section P is compiling the material and Markos --- is delivering it w/others in EG. During Jan on Sats "The Best of the Saturday Show" until it is decided what to do w/Sats; I am advocating moving SCDX there where it can be expanded and hrd by more; they could at least reexpand it from 12 to 14 mins on Tue (gh) The 0800-0930 period [cf Dec LN] is Sat-Sun only on 21550 SSB (WBI 26/11) The 0230 SSB in EG on 17840 stayed on past 0300 in RS, VG 28/11 (gh, OK)
- SWITZERLAND** The Deputy Dir of UN Radio replied to my inquiry about the 'audience' of the SSB xmsn on 14500. "The Russian bc you monitored on 14500 is actually a PTP UNR xmsn from UN HQ via Geneva, to R Moscow" (Bill Matthews, OH) That's Mon-Fri 1830-1840 on stn 4UZ, USB (UNR, NY sked dated 1/11) Presumably back to Fri only now (gh) The Swiss PTT man is aware J of the jamming problem on 21570 [to NAM at 1315] for some time, but we were there first and intend to stay there! Pragmatic or not, that's the attitude of the PTT. As for your suggestion that we go to 11m instead, it gets even more complex. Apparently, our AM xmters can P not be used to NAM on 11, due to excessive HF radiation hitting a nearby farmhouse! Strange P but true. SSB using lower power would be technically possible, tho this would require an OK from our management as well as the PTT. Prime consideration is whether there would be sufficient listeners (as opposed to enthusiasts) who would make use of the fq. The decision is not mine (Bob Zanotti, SRI DX Editor, 3/12) And I suppose anyone who writes in as a result of this saying "I'd like to listen to SSB on 11m" would be classed as "enthusiast", hi (gh) 11 m largely going to waste and will be dying in a year or two w/sunspot decline. L (gh) Revised Sunday feature lineup on SRI: 1st, Balance Sheet; 2nd, Roundabout Switz; 3rd, Sunday Supplement; 4th, Jazz Panorama; 5th, Repeat Performance (SRI)
- TAIWAN** [Cf Oct/Nov/Dec LN] CH stns on 7095 & 7105 are not Taiwan; it's CPBS & Nei Monggol. J However, a strong UNID CH stn was hrd in Sept on 6180, 1200-1330, now covered by jammer & not listed in CBS or BCC skeds (Behr, Ont.) Despite recent LN mention that Taipei's outpourings were recently spared the fist of jamming from the mainland, surveys of CBS-to-mainland slots this past week show solid bombardment on all ch, incl 6565, which I found vacant in Sept LN. NB: this svc is not VOFC; see first note under "CBS" in WRTVH 81 (Dave Newkirk, WA, 30/11)
- THAILAND** 4th harmonic of 6070 on 24280 arnd 1100 26/10 (Sarith Weerakoon, SL, UADX)
- TIBET** Your report on 10/10 RCI SWID snags me; last I knew, 5935 was CH, not Tibetan [Cf Nov LN] Sorry, I got it exchanged with 5950 (gh)
- TURKEY** Polis Radio, 6340, 0503 28/11, surprisingly good (Andy Newton, GA) Presumed, western style vocal tune, amnt by OM, then Turkish type song; good w/occl ute-RTTY 6/12 0526-0540 (Chris Lobdell, Stoneham MA)
- UGANDA** R Uganda NAM svc back after lengthy hiatus, L&C on 15325 from 0300, hrd twice in past E sesquweek as of 3/12; same old eclectic mx mix (David Grant, MN, Jan RIB) First hrd 27/11 EG to 0359, then FR to 0430; same crackly audio, same anc & if you can understand them, L same boring pgms (Chuck Kristan, Jr., PA) First hrd 13/12 mixing RSA IS 0256; abrupt s/off 0430 w/out amnt (George Poppin, CA) Also several nites here tho missing again around 20/12 (gh) EG ES 20-21 on 9515, no target given; records, "Uganda Today", NA at close (Ginbey, RN)
- U A E** Dubai on new 11755 EG 0330-0400 (Robert Yowell, NY, 28/11) 25/11 0330-0357 MN 1012 E on 11745; nx and what's going on in Arab world (George Mamouliades, NC) Only on 11755 here
- U K O G B A N I W** Dorset District Council's Development & Planning Committee yesterday approved establishment at Rampisham of a massive new xmt stn for bcs to EEU. Stn met enormous opposition when first proposed for Henstridge Airfield; now to be erected on the 180 acre existing Rampisham xmt site which was first commissioned 40 yrs ago. Will involve replacement of the 31 aerial masts, tallest of which is 325 feet, with 35 new masts ranging from 160 to 325 ft high, along with provision of eight 500 kW xmters in place of present 4 x 250 and 2 x 100. Will take five yrs. One condx is that within 2 yrs shrubs and trees be planted to thicken the roadside hedge along the A356 road (Dorset Evening Echo 4/9 via Jack L Curtis, BDRK via DKO; and WDXC via WDXC Dec) During the first 10 weeks of 1982, the Sunday edition of 'Reflections', 0454, 0809, 1739, 2239 will deal with Zen Buddhism instead of the usual Christianity (Jan London Calling)
- UNITED NATIONS** I hrd UN Radio Club on first Fri of Nov at 1915 on 21710; contained answers X to listeners' letters and info on UN bcs (John Pascoe, WA) So look for it other first Fris
- U S A** As a result of the Polish crackdown, VOA increased its Polish bcs by 45 mins a day on 16/12, said the Breakfast Show (Ken Macharg, IN) No doubt the best available info for

SWL/DXer is the VOA Frequency Schedule, but it goes to press about 2 months before sked commencement so things are not 100% accurate. Some missing, some changed xmtr locations, etc. DB1 lists 21680 DL-60 1600-1800 to Af; that's an error; it's Porc-8, 50 kW. Also note VOA Af svc net B same time on unlisted 26000 which is not synchronised with Phl or Mva but is with Greenville 26040; my guess is stateside xmtr, Bethany (Victor Goonetilleke, Sri Lanka, UADX) If you want full data VOA QSL report to VOA Monitoring Office, P O Box 115, 1082 Vienna, Austria; I have 4 so far; they even seem to QSL xmsns not beamed to Europe (Gerhard Werdin, GFR, UADX) FCC having trouble coming up with \$12,000 cost to represent 8 private US SWBCers - t 6 fq coordination meetings a year w/reps from Neth, Canada, GB, Germany and US govt, and may be put at disadvantage in fq selection. Stanley Leinwoll of RFE/RL had filled in before but does not want to again due to conflict of interest (Broadcasting, early Dec, via David L Walcutt) As implied in Dec LN, congrats to former NASWA editor David L Walcutt, who has recently gone to work for Leinwoll at RFE/RL's NY office

J (gh) NBC Radio reported that the Russians have stepped up jamming of BBC & RFE with mx on E RFE, noise on MW (Ken Macharg) Current fqs for Fri-only EG 2150-2200 in Czechoslovak svc of RFE: 11855 9565 7200 7165 6135 (gh) As far as I know, there is no EG in other services (Dave Walcutt, RFE/RL) RFE has pgm in EG, "Good Afternoon" w/lots of pop mx, 1430-1500 on 5985 (Björn Fransson, Sweden, SCDX 10/11) Actually sked Mon-Thu 1410-1500 & 1510-1600; Fri 1410-1500 & 1510-1540 on 15380 11895 9725 7115 5985; not given in sked as in EG, perhaps occasional mixture? (gh) This is Hungarian service (gh) On the 0300 NAM svc mx 14/12, R Moscow accused VOA & RFE of broadcasting 'coded messages' to Poland. Quite by chance when checking out Marshall's 5295 unID around 0415 that night, hrd instead RFE feeder w/pgm on one SB, and a long series of letters given in phonetics on the other (gh) Mr John Hayes, D chairman of RFE/RL, died in Florida aged 71 (The Times, 26/10 via Alan Roe, WDKC ENS) I've noticed VOA has shortened SP correspondents' svc 2215-2345 Mon-Fri by 15 mins so that at E 2330 they can insert some EG & FR items, as well as a PT just before 2330, on same fqs, e.g. 17730 15160 etc (gh) AFRTS 6030 unlistenable late eves (ca 0400+) here because two sites unsynchronised, one satellite-fed, one not causing long echo; presumably Bethany & Greenville and must have been synchronised deliberately or accidentally previously (gh) AFRTS USB feeder on 7570 at 0445, // 6030 but ahead (Jim Conrad, IA, 30/11) WRNO Mgr Joseph Costello says they will be on the air in the last half of Dec, at last relaying FM, then separate pgm (Andy Newton, GA, 10/12) To go on air 1/1 (Ken Wilkins, England, SCDX 1/12) Even L later, I'll bet (Ralf Munster, GA, WDXC) CBS Radio Mystery Theatre celebrates 9th season M with 5-partner week of 11/1, "Les Misérables" starring Alexander Scourby (CBS)

U S S R Replying to listener's letter 15/11, RSP&P said it was non-govt & main task is to "draw a truthful picture of life in the USSR and to give an accurate, unslanted account of major intl events" (WBI 19/11) Biggest laugh of 1981 (gh) Weekday times for local pgms from Tyumen 4895 for its oblast: 0029-0104, 0114-0130, 0215-0240, 1300-1340. Also on Khaty-Mansiysk 4520 which also carries K.M. Okrug pgms 0140-0200 & 0715-0800 (WBI 19/11) A1-Union R sw fqs [exact times omitted here to save space; most fqs are not on the air for the entire pgm span shown]. First pgm 0200-2200, AM 12045 11945 11920 11820 9800 9775 9670 9540 7440 7350 7300 7250 7120 6185 6095 6020 5945 5930 5910; SSB 17560 6980 6890. First pgm--R Orbita-4 0000-2000 AM 15140 11700 11630 9490 7800 7145 6080 5900; SSB 20500 18310 16330 16030 13820 12135 9240 8005 6920. First pgm--R Orbita-3 2200-1800: AM 15480 15275 11805 11750 9605 7370 7200; SSB 19845 13380 11575 8125 6825. First pgm--R Orbita-2 2000-1600: AM 15460 12040 11825 7355 6010; SSB 18285 17580 15545 13590 10690 10120 9150 7925. First pgm--R Orbita-1, 1800-1400: AM 15490 12070 7330; SSB 18830 18460 18150 15535 9905 9140 7390. Mayak, continuous, SSB here only: 19320 18195 12205 11575 9905 9240 9210 9145 7390 6980 6920. Third pgm, 0400-2100, AM: 11945 11760 11690 9570 7255 7130 5900 4055 (WBI 19/11) R Kiev EG to NAM 0030-0100 17870 15240 15100 9750 7205 7150; 0300-0330 17870 15255 15240 15185 15100 9750 7325 7205 7165; R Yerevan 0355-0400 EG 17870 15255 15240 15185 15100 Pacific Ocean Radio Stn, Vladivostok in RS: 0815-0900 21690 21530 21505 17870 17850 17815 15310 15280 12070 11910 9810 9685 9620 (Sat/Sun 9600 9500 7320 5940); also via Khabarovsk 7210, Yuzhno-Sakhalinsk 4050 3995 200, Petropavlovsk-Kamchatskiy 4485 182, Vlad 245, Magadan 236, 1315-1400 on Vlad 5015 810; 1930-2030 9810 9780 7315 7300 6035 600, Vlad 5015 (WBI 10/12) R Moscow request interviews, alt Sns 2345, GMT Mons 0145 0345, 0445, 0645: 17/1, a leading economist, 31/1 a hockey player, 14/2 a mailman, 28/2 a ballerina, 14/3 a religious activist, 28/4 an editor of a children's newspaper; mail your questions for them at least six weeks before bc time (via Christos Rigas & John Pascoe) On 21530 kHz, at 0230, both the RN NAM svc and the WS can be hrd mixing, two xmtrs, or one? (Jim Conrad, IA, 30/11)

WMS main fqs to ENAM: 04-05 9.80 9.75 9.61 7.19 6.11 0.60. 05-06 9.80 9.75 9.61 7.36 7.19 7.15. 10-11 15.13 11.77 12.01 9.60 7.19. 11-12 15.13 12.01 11.77 9.60 0.60. 12-13 17.81 15.15 15.13 12.01 9.60 0.60. 13-14 17.81 15.15 15.13 11.84 12.01 0.60. 14-15 same minus 0.60. 15-16 12.01 11.84. 16-17 12.01 11.86 11.84. 17-18 12.01 11.86 11.84 9.71 9.55 9.50. 18-20 12.01 11.86 11.84 9.71 9.68 7.44 6.01. 20-21 11.86 11.84 9.71 9.68 7.44 0.60. 21-22 12.01 9.71 9.68 7.44 7.16 0.60. 22-23 11.86 9.68 9.61 7.16 7.11 0.60. WNA: 13-16 9.79 7.29 7.17 7.15 5.90. 16-17 12.01 7.29 7.17 7.15 5.90. 17-18 12.05 9.58 7.29 7.17 5.90. 18-19 15.45 12.05 9.58 7.29 5.90. 19-20 17.2 15.45 12.05 9.58 7.29. 20-21 21.53 17.72 15.45 12.05 7.29. 21-22 21.53 17.72 15.14 15.45 12.05. 22-23 21.53 17.72 15.45 15.14 12.05 (via Christos Rigas) Among the unanod fqs listed by BBCMS for the ENAM svc are at 2300-0400 16193-SSB 6175 6020 4860; 10120-SSB 2300-0200 (WBI 10/12) Above MHz fqs are 0.005 higher in some cases as usual (gh) 4860, Kalinin usually not daily, but it has been, with RM EG around 0500, and indistinguishable v/ weak pgming in afts, which might be Kalinin or other site, 2150; definitely USSR, 23/11+. On 4/12 when Vlad 4040 & 5015(?) were in well, so was 4860; maybe Chita? But 2200* makes me think Kalinin, not to mention the fact that I've never seen a Chita log, hi (Richard Stoller, CT) WMS on 24020, 2 x H 12010, 0915, Syzran xmtr per Roger Legge; 19070 2 x 9535 WMS FE site (V Goonetilleke SL)

- ✓ **UZBEK SSR** Fergana, in Fergana Oblast, DS on 4510 is at 1100-1200, in Uzbek, Russian, Tatar, Tajik; one hour earlier during DST (WBI 26/11) Why only one hour a day?? (gh)
- ✓ **VANUATU** 3945 has BBC nx relay at 2000 (Fahey?), Australia, SCIX 8/12)
- ✓ **VATICAN** R Vaticana on new OOB 7410 at 2000 Rosary, then EG nx // 6210 which was much stronger; first noted here 3/11 (Podney Sixe, WDXC ENS) RV on unusual fq 7412 2000 (WVWDXC)
- ✓ **VENEZUELA** If you're interested in stamps, quick, send a report to R Occidente on 3225 and do not be surprised to find seven of them on the letter; and they put two more on the back as a seal. ID "R. Occidente...musical, noticiosa, deportiva, cultural!" Was hrd 1/9 on 3225 around 0400 as I recall (Fabio Borborini, Carle Place NY) Why do all YV's seem to have NAs at 2200? Noted 3 or 4 times; 4/12 5030 4990 4980 4900 4800 had YV & Perú NAs, and simultaneous live cov originating w/R Barquisimeto, but I couldn't tell what it was. Lots of al-cadés introduced, must be some mass off visit. As it turns out, these are the Juegos Bolivarianos! (Richard Stoller, CT)
- ✓ **VIETNAM** Hoang Lien Son now on 5402 ex 5515 and 6603 ex-6598; 5402 first obs 12/11, F-P; 6603 happens to be same as Pakse, Laos, which Viet blocks now. Bac Thai, continuously moving around 6565 past several weeks, moved down to 6555 early Nov, drifted to 6578 on 14/11, but to old 6722 since 16/11. Cao Bang still stays on 6685! 1200-1330 (MWF 1400). Gia Lai-Kon Tum still on 4687, Lai Chau 6919 *1015-1215* but 4490 unconfirmed due to ute; Ha Tuyen on 4821 one night, again a hard to hear stn; Vinh Phu 4243 & Quang Ninh 4698 remain silent. VOV ES seems to have replaced all 15010 xmsns w/11840; often QRM'd by KTRW, especially bad at 1200-1300 when both in JP (Isao Ugusa, Kobe, Japan, DXFL 2/11)
- ✓ **WEST BERLIN** (in our point of view still FRG in the land list). A small 20 kW SW unit is in use by RIAS Berlin still & since the early 50s [Cf Nov IN]. Since apx 1959 a more powerful 100 kW xmttr was used on a rental basis from Munich-Ismaning, where the big B-Munich relays MW 1197 and SW are situated, as well as AFN Munich 50 kW 1107 kHz, BR Munich 801 kHz 450 kW & 6085 kHz 10/50 kW. Both RIAS/VOA xmttrs are/were on 6005, Berlin-Britz nondir 4 dB, Ismaning on 15° w/8 dB, directed to the GDR & Berlin. Until 1976 Berlin on the air 1540-0330 Ismaning 0330-1540; since 1976, Berlin-Britz at 0330-1830, Ismaning 1830-0330. Importance of the 6005 kHz channel increased when VOA Munich-C unit 100 kW on LW at Erching (ex 173 kHz) shut down due to the end of the cold war [!]. In 1975 during the Intl R&TV Expo I myself visited the RIAS xmttr site at Britz and took a snapshot of the SW dipole type antenna. RIAS Britz has MW units of 300, 100 and 30 kW (WWII age reserve unit of ex Belgrade Soldatensender), as well as 20 kW unit on SW (Wolfgang Bilschel, Stuttgart, 20/11) SWF uninformd
- ✓ **YEMEN NORTHWEST** R Sana'a, G at 0435 on 4853 IDs, prayer, // 9780 (Phil Marshall & A Newton
- ✓ **ZIMBABWE** After several months of monitoring 3396, ZBC appeared 17/11 at 0335 in EG 13/12 E pgm R Number One, fade very fast 0345-0355; 18/11 0322 IS, 0325 s/on, ID, fade 0340 (Robert Wilkner, Ft Lauderdale FL, DX South Florida) 19/11 0324-0335 fade (Larry Wilkner, ibid.)

UNIDENTIFIED 9685 African stn around 2100 2/12, for once over Moscow; not since (Rolf Gunnar, CO) 9550 14/11 0855 vy weak stn not registering on meter, only fading in for about 10 secs per 30; men w/native islands song, drum & flute, OM talking occasionally; R Maldives? (unID Go-DX reporter) 28/11 Phil Marshall had vy weak sig here at 0830, Urdu or Indian-like pgming, no ID; we should all try to positively ID this; watch for Solomon 9545, not QRMing 9550 tho (Andy Newton, Go-DX) 9115 4/10 0229+ possible clnd, YL & OM, mx & contry, somewhat "rabid", ID similar to "R Prensera", dit-dit-dah before YL gave ID, barely audible; also 12/10 0234 SP OM anc, classical mx, lost sig 0243 (Bob Love Kansas City MO, NNRC) 6275.2 weak signal 6/12 0640 t/in, some bits of mx and talk, but can't do much w/it; better at 0710 (Bob Foxworth, NY) 6/12 0630-0730 f/out on 6275a, unID Dutch or German mix ute (Richard Stoller, CT) 5295 unID SP stn, M anc, talk, no IDs found in going over tape; at 0455; at 0500 numbers QRM in Asian lang, its carrier still blocking after 0515 (Phil Marshall, GA, 13/12) Checking this out I made the RPE (only) log under USA (gh) 4742a think Vietnamese? tho none listed that I see, 1215 23/11, a good FE day, clipped lang, 1cl pieces, M&W alternating ancrs; quick fade; would be my first Viet regional (Richard Stoller, CT) 4718 Greenwood, Marshall and I have been hearing intermittent stn 0000-0600+ 28/11 & 29/11, auction in SP w/crowd noise, speeches, and auction-like harangue, many numbers and currency mentions; very sporadically for short periods; many Carabobo & Venezuela mentions; vy strange, indeed! (Andy Newton, GA, Go-DX) Tho the pgming doesn't seem to fit, others have encountered Cuba 8 x 590 around here (gh) 2720 0430 hrd fairly weak stn w/Salsa mx, could not get ID thru static, probably 2 x 1360 or 4 x 680 (Charles George, TX, 8/12) 2400 around 0600 I noticed a stn IDing as "R Ondas 600". Mexico? (see also HONDURAS) (ibid.) XEBB Acapulco?

CLANDESTINE CRANNY R Venceremos A report to their Mexican QRA, A.P. 7-907, México, DF, brought a bulletin "Señal de Libertad" 2 months later sent from Nicaragua, also giving two other addresses: A.P. 23-63, Managua and A.P. 96, Paseo de los Estudiantes, San José, Costa Rica. Says it transmits from the "Francisco Sánchez" eastern front, i.e. the Depts. of Usulután, San Miguel, La Unión and Morazán, daily from 6 to 7 am & pm on 7 MHz; and is open for ham radio contact every Sunday at 1530 GMT on 14500 LSB (Tatsuo Murao, Radio Nuevo Mundo) Hrd 15/11 1535 on 14500 attempting to rx messages; at 1550 radiochecked stn called "Planeta"; another contact afraid he would be traced complained of distortion on RV because speakers too close to mike. RV explained that xmsns were w/unsophisticated eqp under difficult condx; another contact w/Perú; said RV covered Cam, USA, even Au & Japan. Before closing at 1638, RV was contacted by a 'mobile unit' and they agreed to meet at the usual place. RV not hrd on 22/11 on 14500 and none of the material rxd in previous comms has yet been hrd in regular RV bcs on 6979 [sic] (WBI 26/11) RV reappeared on 14500 1530-1630 29/11; tried to contact CR, then called stn from 18th & 19th streets, Guatemala City zone 1 which was initially too weak but when beamed on Morazán Dept came in well enough for rebroadcast next day, on 1200 pgm 30/11.. During the hour on 14500 RV warned callers not to reveal where they were calling from and worked w/what appeared to be

its own outstations. Radiochecked them & asked one to record an anmt because RV was having power-supply problems: "This is RV, off voice of FMJN from Morazan, territory controlled by our people fighting for their freedom. Attn, now RV will rx any message from solidarity committees, trade unions, political parties, universities or any brother anywhere." RV asked the outstation to re-bc anmt every 45 secs while changing batteries to solve problem (WBI 3/12) RV sked on 6905: Tue-Sun 0000-0100, Mon 0000-0130; M-Sa 1200-1300, Sun 1400-1530 (Giovanni Mora, Costa Rica, SCIX 1/12) RV, 6906.5v, hrd w/usual garbage 0010-0114* 4/12, reported site at Punta Cosigüina, Nicaragua, makes sense: just 30 mi from El Sal & main town on this peninsula happens to be Morazan, a perfect deception (Behr) Sal troops captured RV in a surprise attack in the northern province Morazan, military spokesman said Monday; RV xmtr seized Sat nite at guerrilla base about a mile S of Jocoaitique and about 70 mi NE of the capital. Loss of stn could be severe blow to leftists' ability to counteract govt publicity campaigns. Stn had been off the air more than a week; military offfs speculated the guerrillas had experienced trouble getting cassettes to the xmtr because of fighting in the area. Xmtr was said to be "substantially mobile" and strongly guarded but was taken w/little fighting (AP, 15/12 Chicago Tribune via Rigas; and Jackson Clarion Ledger 15/12 via Jack Jones) Renzo Rossellini, in charge of technical planning for R Free Kabul, has further ambitions; now producing a range of xmtrs for use in El Sal "guerrilla radio", one type costing \$1500 w/expected range of 60 km (therefore MW?), another being the "Afghan disposable" model on FM with 2 km range, \$80 cost, and a third, still under test, which can be disguised as a car radio. Techs from El Sal should begin training on these xmtrs soon; similar plans for Guatemala, Chile, and other countries. The costs for the project are not much of a problem, he says (Panorama, via Fabrizio Magrone, DSWCI) I tried for 14500 1530+ 13/12, but too late; I bet they return (gh) R 15 de Septiembre still around, varying levels nite to nite which is sort of odd; 2/11 0435 reading anti-communist declaration, said was organ of FDN, Frente Democrático Nicaragüense, other acronyms; ute audio quality (Richard Stoller, CT) After 2-week break, again hrd in SP on 5565 [Stoller's was too], hostile to Sandinist govt, Marxism and communism; did not explain absence (WBI 19/11) R Sandino reported 25/11 that R 15, operated by a group of former Somozist guardsmen, was located in San Marcos de Coldn (Honduras), only 10 km from the Nic border (WBI 3/12) *0400 on 30/11, 29/11, 28/11 w/numerous IDs & rhetoric past 0410; seems to change nightly between 5570 and 5565, no specific pattern (Chuck Kristan, Jr., PA) Ancd 3/12 that "in response to the will of the people", new times would be 0300 & 1130; on 5565 for about 45 mins, mainly in SP incl 10 min in Miskito irregularly (WBI 10/12) On 5560 13/12 0340-0346* (Phil Marshall, GA) 14/12 t/in 0317 on 5575k, off between 0425 and 0430 and subsequently usually running a sesquihour; this nite very strong, no jamming, FDN mentions, "la voz de los que no tienen voz", and anncng sked as above (gh)

R Martí Former Florida Senator Richard Stone is under consideration to head the commission that would run Radio Free Cuba. FL Republican Sen Paula Hawkins has recommended Bay of Pigs veteran and wealthy Miami businessman Jorge Ma Canosa be given significant post at R Martí. The controlling commission will have 11 members (Orlando Sentinel Star 8/10 via John Santosuoso, NNRC) At present it is unlikely R Martí will be built, though some backers in the State Dept tried to divert funds for it, according to congressman Glenn English (Dennis Powell, NY, RNNM 17/12) The name R Martí apparently has been phased out once it was discovered that there is a richness of anti-American quotations in Martí's work (Mary McGrory, Washington Post, 26/11 via Foxworth & Krist) Big rally scheduled Sat 12/12 at 1 pm at Manhattan Center, NY, in support of R Martí project, to be attended by anti-Castro movement leaders (Alfredo Izaguirre Horta, Noticias del Mundo 12-13/12 via Dave Walcutt)

Spy Numbers 14/11 0134-0145 5-letter groups by woman on 5760 using phonetic alphabet; sent 2 messages and repeated the group count twice before beginning text; ended w/EG phrase twice: "end of transmission". Had Asian or ME dialect; what's Qaddafi up to now? (Charles Bolland, Lakewood FL) I still get spy numbers in EG around 9500 as early as 0240, as late as 0350, no definite sked for obvious reasons (Tim Lilley, Westover WV, 15/12) Stn playing weird instrumental mx w/whistling, OM said "Termina" 3 times and off 0503-0513k, sounds like a numbers stn, on 7387 6/12; no sign of Ital pirate (Lobdell, MA) On 15651 *1200-1214* 18/10 YL, 3-digit count, xlt level. This is the same xmtr that at 0000 feeds VOA pgm from Greenville to Antigua MW till 0100 (Terry Krueger, FL, NNRC) Looks that way, but can you be positive? See USA for my log of RFE w/letters on a feeder (gh)

R Libertad Cubana Comandante David active again, hrd 19/11 0211-0230+ on 7090 not w/pgm but contacting people in Guatemala, Uruguay, Nicaragua, gone at 0300 check. Definitely not the same voice as on LJFC whose xmsn overlapped this one 0229+; there had been much speculation tht LJFC is run by David. As of 27/11 I had not been home to check at 0200 for further appearances by Com. David. 17/12 0209 on again now w/pgm (Steve Reinstein, FL) Tnx for call, I monitored this on 7087.8, comtry abt Poland, seems to be jammed by noise & CW; 0222 ID claiming to be a "R Rebelde" stn in the mtns of Cuba; 0223 "nx" on Cuba trying to take over Nicaragua, 0228 ID, then ad-libbed talk, 0240 refers to himself as Com. David, 0241 march and ID, said would be back Fri at 9 pm [this xmsn was Wed 9+ pm], and off (gh)

R Cuba Libre [6990v] No sign of it 27/11 on spot checks at 0310 & 0400 (Steve Reinstein, FL) La Juventud Progresista Cubana has taken up daytime bcs too! Sun 29/11 1808-1924* on 7038, lots of Cuban ballads, comentarios, comedy pgm w/M acting like W & using high but cracked fal setto, much laughter and hand clapping. Some tongue-in-cheek Russian talk also; ended w/Cuban NA. 6/12 made another Sunday daytime bc, 1652-1834* on 7038; may have been there as early as 1610 when I checked briefly but unable to stay tuned. Varied pgm of college football fight songs, Cuban mx, even SP Jingle Bells. Many IDs and gave some addr in Miami. Heavy jamming from OCs & continuous CW dots made copy tough. All I got for the addr was 1779-W in Miami. Also hrd 8/12 0232 on 7038, at same time as Alpha 66, thus dispelling my theory of one common xmtr. It stayed on late to 0255* on 7042v w/spl pgm on A66's history; interesting; gave details of their inception and first meetings 20 yrs ago; long list of names read off, which

I believe was membership roll from that first meeting. Told of plans to eliminate Fidel & disrupt Cuba via 'sabotajes y atentado'. Fq really unstable, drifting 7037-7043; used an annoying doorbell sound (à la R Rumbos ding-dong!) between all items (Steve Reinstein, FL)

R Antorcha Martiana Fairly regular at *0300-0325* on 7071 (varying from previous 7089), 15/11 & 19/11 w/many IDs; seem to test at other times too; 0200 hrd playing their theme song for several minutes then off; usually horrible audio at 0200 but much improved at 0300; perhaps taped by 'hams' and replayed? Made unsked appearance Thanksgiving Thu 26/11 at odd hour of 1602-1640*! On 7070, quite strong despite solid week of miserable band condx here. Positive ID as "Ésta es R Antorcha Martiana, órgano radial del Movimiento Insurreccionario Martiano", ment fqs as 7070 & 7080 in 40mb and xmsn time only as 10 pm nightly. Ended w/something like "R Antorcha Martiana, transmitiendo para Cuba un mensaje de fé y esperanza. Buenas noches, hermanos de la isla." No ment whatsoever of MDC; pgm covered world nx & comtry sprinkled w/ments of "el tirano Fidel Castro." Again 26/11 2140-2147* on 7077 repeating earlier bc, same good sig; then hrd as sked t/in 0320 on 7079, drifting gradually to 7076 by 0408* 27/11--this pgm not same as previous two tho some portions were repeated. Surprising turn of events Sat 28/11 2135-2236* on 7076 w/usual IDs, but at 2136 began relaying Ft Lauderdale FM rock stn WCKO 102.7. 2147 end of mx and anmt "hasta aquí una programación en inglés con música norteamericana. Música para la juventud cubana". Regular SP nx & comtry to 2213, when back to rock mx on "K-102" (as it is known) to 2232. Seems to me it's a good bet RAM is in the Dade-Broward vicinity. 29/11 on 7077 2105-2156* carrying first WCKO rock mx to 2108, then WQBA-FM SP stn 107.5 from Dade County to 2152. Many IDs mixed in and WQBA audio turned down for most ads so RAM could ID. Jamming at 2134 by OC. Also some 2-way tlc on 7078 after 2156; one was definitely the RAM ancr (Steve Reinstein, FL) RAM still hrd daily *0300 for 30 to 55 mins on 7070 & 7080, latter channel drifting on occasions down to 7075 (WBI 26/11) Still hrd daily 0300-0355 apx on fqs between 7069 and 7080; gives addr as Box 440491, Miami FL 33144 (WBI 3/11)

R Mambí 24/11 at end of RAM 0300 xmsn, it was overridden on 7080 by another SP stn, ID- 12) ing as R Mambí, V of the Cuban Patriotic Junta, saying it bc twice daily 0300 & 1200 on 7080. Claimed would provide Cuban people w/"truth of what is happening in the world", to 0345* (WBI 11)

V of Free Africa Recent check of this PT & vern stn hostile to Moz govt shows still 26/11 bc at 0400-0500 & 1700-1800 apx on 4764v (WBI 3/12) Pgms on 4764 reduced to 0400-0430 & 1700-1730, ID: "Aqui Moçambique, transmite A Voz de Africa Livre..." (Richard Ginbey, RNMN 10/12)

V of Namibia & R Freedom via VORE Ethiopia: obs from Nov begin on 9545, strong USSR co-channel QRM; asks for reports; ± 1800-1900 (QTH Africa 10/11) Prior to 10/11 on 9545 but few days later on new clear channel, 9595, seems 100 kW (QTH Af 20/11) Regular xmsns of the two began 10/11 at 1900-2000 on 9595; both pgms state they are via Addis Ababa. R Freedom ID has a burst of machine-gun fire, and says it is "V of the ANC and its military wing, Umkonto we Sizwe" (English: Spear of the Nation). 9595 is used at 1800-1900 for transmissions from R Kulmis, a Somali-speaking stn hostile to present Som govt and which, tho it claims to be mobile, originates from a xmtr in Ethiopia (WBI 19/11) R Kulmis & VON/RF, 9595 are actually from 2 different sites or xmtrs; R Kulmis always vy weak, but VON opens w/powerful carrier at 1856, covering last few mins of Kulmis bc (Behr) VON & RF pgms hrd 1900-1957* on 9595 only, 28/11, closing w/VORE ID & 9595 "from A.A.", not hrd on 9545 or 11745 (Behr) IFRB Circular 10/11 shows Ethiopia 100 kW on 11745 & 9545 to Namibia/S Africa 1900-2000 (RNMN 26/11) 11)

V of the Western Somali & Abo Liberation Fronts [see SOMALIA] no longer hrd on 9585 (WBI 19/21/11 & 22/11 (WBI 26/11) 26/11 1900-2000 on 9670 (WBI 3/12)

Malta Nat'ist opposition party began being its own pgms thru clandestine radio stn after govt refused application for licence; opposition accuse govt of monopolising state-controlled R & TV nets. A few days later, police cut off electricity to party HQ in Valetta in effort to stop the bcs (Sunday Telegraph 11/10 via Alan Roe, WDXC ENS)

V of Palestine, V of the Palestine Revolution, Beirut-based, ancd that from 1/12 it would be on at 0500-0700, 1100-1300 & 1500-1800, the latter period containg EG & HB 1500-1600 (WBI 3/12)

V of Iraqi Kurdistan (Kurdish: Aira Dangi Kordestana Iraqia), hostile to Iraqi govt under Saddam Husayn and pro-Kurdistan Democratic Party, on 6295 1500-1530 Surani Kurdish, 1530-1545 Bahdinani Kurdish, 1545-1600 Arabic, 0400-0500 repeating 1500 xmsn (WBI 26/11) London Times mented the Kurdish Demo Party's separatist stn, apparently now called Democratic R and located nr Mahabad, in terms suggesting quite strongly that it has no connexion w/either V of Iranian Kurdistan or V of Iraqi Kurdistan. One more reason to believe that these are both 'black' stns, operated by the Iraqi & Iranian govts respectively (John Campbell, DSWCI Dec)

V of the Mojahedin-e Khalq for past week or so being in Persian, hostile to Khomeini and his followers around 7735 1730-1830 apx; varying ± 20 kHz to avoid QRM; IDed 13/11, 14/11, 15/11 as above + "of Iran" (Persian: Seday-e Mojahedin-e Khalq-e Irana). Existence of this stn was first ment by V of Iranian Kurdistan 22/7; R Baghdad Persian svc 29/10 referred to the jamming of a radio belonging to the MEK (WBI 19/11) Continues hrd 1730-1830 on fq varying thru-out xmsn 7720-7745; also hrd 1600-1700 varying between 7580 & 7640; 21/11 incl talk supporting Iranian Kurdish Demo Party, indicating possible connexion w/V of In Kurdistan (WBI 26/11) Hrd last few days 1600-1700 & 1730-1830 varying constantly 7525-7635 to avoid QRM (WBI 10/12)

R Iran & Free Voice of Iran hostile to present Iranian govt, now hrd in Persian 1330-1430 & 1500-1600 respectively on fqs between 9575 & 9595 (WBI 26/11)

V of the United Muslim Fighters of Afghanistan hrd 18/11 in Dari to 0155* apx on 15460, hostile to present Afghan govt (WBI 19/11) Cf Dec LN, already on this sked 20/10

R Free Kabul, using FM xmtrs probably not connected w/WOTUMPOA, RFX addr is 152 Rue de Châteaueau, 75014 Paris, France (RNMN 26/11)

V of the People of Burma operates 1200-1410 on 7570 only, no 5110 (SCIX 1/12) 7570 *1201 29/11, ute QRM (Andy Newton, Atlanta GA)

V of the Thai People which left the air 7/79 may never be hrd again. Thai Army claimed 28/10 that the 16-yr old war w/the outlawed communist party of Thailand is close to an end with

victory clearly in sight for the govt side (Sarath Weerakoon, Sri Lanka, UADX) New pro-Soviet & pro-Viet Thai communist party called "Pak Mai" (New Party) was currently formed in Laos. However, biggest enemy to Thai govt is still the former Thai CP. Even the Chinese govt says they have closed the stn, actually the bc still continues (Prayuth Charumane, vice-commander of Thai Army, 14/8, Bangkok Post 15/8 via SEAs Monthly Aug via DXFL) bc = GW? (Ugusa, ed.) V of Malayan Democracy Fair level daily 1245-1400*, last 30 mins in Std Chinese, before that Malay; 6670 very stable but 3512 very unstable; 27/10 followed it from 3512 at 1250 up to 3539 by s/off; mod is good and by strength I don't think it's highly mobile low powered unit. May still be in China but on about 10 kW as against 100 kW or so for former VOMR (Victor Goonetilleke, SL, UADX & RNMN 26/11) That offl thinks it's in a Malaysian valley (WBI 3/12) V of the People of Malaya 7053, awful modulation, 2130-2230, 1130-1330, 1430-1530 in Cantonese, Malay, Chinese, Tamil (Victor Goonetilleke, RNMN 26/11) V of the Chinese People hrd in Japan on 1235 kHz to 1441* (FRFC 9/81 via IRGA DX Monitor) V of the Revolutionary Party for Reunification is believed to be in Hyesan, North Korea (Jackie Redik(?), RNMN 10/12) /and AUSTRALIA

NOTE: I am beginning to list certain Europirates under their country of origin, where this appears rather certain; and some are not exactly pirates; see IRELAND, ITALY, NETHERLANDS... Atlanta Radio Intl appears to have settled on 6300, 3rd Sun of month. They have excellent free radio & legal DX pgms hosted by Stuart Clarke at 1115, add still P O Box 110, Orpington Kent. If you are interested in hearing recordings of offshore stns, stay tuned at 1245 for excellent pgm "Sounds from the Sea" (Nicholas Sharpe, WDXC Contact Nov) R Atl Intl hrd 22/11 to 0800* on 6241 w/test for USA (Fabrizio Magrone, Play-DX, Italy) Tried 6240 22/11 0530-0830 but stn was not hrd (Kraig W Krist, Falls Church VA) Weekend Music Radio will test to USA 0500-0800 29/11, 20/12, 27/12, 17/1, 31/1, 14/2, 28/2; presumably on 6260 but if not there check entire 48mb; addr: 42 Arnan Close, Cambridge UK (Scott McClellan, MI) But thought to be in Scotland (gh) Good sig on overhauled 50-watt eqp, 6260 chosen fq but also has access to 6289-90 and may get a 6250 xtal soon (John Campbell, DSWCI Dec) R Krypton test to Nam 29/11 0800+ on 6265 SSB (or maybe AM) (Scott McClellan, MI) Tried at 0800 29/11 6265, but another no-show here in VA (Kraig W Krist) Lately moved from 6265 to 6254 to escape QRM (Morris Walker, Dec DSWCI) Stn gets my vote for the most erudite pop pgming, e.g. because of Kevin Kent's recent Motown historical series. Other beers could learn something by listening to his pgms. Addr: 134 Eastworth Rd, Chertsey, Surrey KT16 8DT (John Campbell, Dec DSWCI) R Brovo(?) , apparent Irish pirate 20/12 0605 on 7395, referring to sunrise, nx on hour, pop mx, Xmas mx, GMT TCs, f/out or s/off 0700 (Andy Newton & Phil Marshall, GA) May be same stn as: (gh) R Bouvet (or Bobay, Bowlbathe, Nov LN), is same stn as R Caravelle and is located in Ontario (Douglas G Miske, Ont) He also gives addr, but I'm not certain the stn wants it publicized (gh) R Clandestine 26/11 on 9500 at 1910-1919 (Robert Yowell, New Rochelle NY) Excellent on 9670 13/12 1645-1655*, ancr R.F. Burns, ID as "R Clandestine, a pirate stn" (Bob Rinaldi, WICNY, Simsbury CT) "WOIS" 28/11 0605-0628* on 7435A, rather strong, SID 433; said next bc would be 12/12 0600-0700 on 4020, 7315 or 7390; would be an essay contest on WOIS's programming. Also gave WPOT's next bc: addr as Apt 2A11, WSV, Potsdam NY 13676 (Thomas Semesky, IN) "WPOT" Tuned for 3490 test 1/11 0200, very weak carrier on 3489.06 at 0200 but covered by RTTY from 3492 and SSB 3487; cleared up around 0230 when noted this thru HNL and QRM: 0238 muffled M ancr w/thank-you for reports; 0341 Shadows track, 0344 asking for reports, 0347 referring to jazz, 0402 "Dirty Old Man" by 3 Degrees; channel blocked at 0450 by YL in SSB. Not much copy for 3h of listening. If not WPOT don't know what else could be. The advertised as 900 watts, since learned it was more like 40-50 (Mark Warner, UK, WDXC ENS) WPOT hrd relaying R Quadro on 6824 0132 t/in to 0234* Mon 15/11. R Quadro played rock and segments from RNI & R Caroline, host was Scott Fong; addr of R Quadro is PO Box 1243, 2940 Wilhelmsen, FRG. WPOT had IDs 0200 & 0230 when R Quadro tape ended; WPOT then played a song and ancd next test for 26/11 & 29/11 0100 GMT, no fq but likely either 6824 or 6807, used previously (Dean Reki-ch, PA) WPOT hrd 27/11 0130-0238 on 6815, spl TC bc playing about 14 rock songs; 0146 ancr Chuck Richie said "This is WPOT, Pirate Rock & Roll from the NE US", DX pgm w/tip on WOIS, asked for more info on pirates for future bcs, sent c/o Greg Bares, P O Box 32052, Washington DC 20007 (Kraig W Krist, VA) Sat 28/11 2009-2128* on 14551, ancd next bc 27/12 *1800 on 14550 and plugged WOIS 12/12 bc (Steve Reinstein, FL) Free Radio 1615 27/11 *0430 w/rock mx, ID as "AM alternative, from the east coast of Nam" (Robert Yowell, NY) "WEED" unID on 6250, Aug LN-15 QSL as this, operated by "Quebeqois [sic] Society of Rastafarians dedicated to the resurrection of Bob Marley," and that I had hrd "spl test xmsn directed to Jamaica". R Free New Jersey hrd 30/8 7430 0130-0300*, IDs, pgm like that in Aug LN, but this time relaying WABC Yankee game; fun listening, would like to get QSL, "WRNR" hrd 28/8 7428, one kHz higher than ancd, rock cuts & IDs between & during records; 39+ sig dropped sharply to 52 after 0430 and complete f/out soon after. Have tape if anyone interested, tnx McClellan (Gregg Bares) Atlantis Sound of Fairfax VA fined \$750 by FCC for unlicensed radio stn oppn after investigations confirming illegal opn made by Balto field off. Jolly Roger Radio Thomas J. Preston and Bruce Quinn of Indianapolis, and Philip R Hatch of Carmel IN have each paid \$250 fine for their unlicensed opn of this 6210 kHz pirate stn; was located 10/11/80 by engr of FCC Chicago district office after receiving complaints abt stn's QRM (Broadcasting 16/11 via Foxworth & OTH RADAR Re Mike MacCollum's enquiry on US OTH Radar, I can assure you that as of Gavaras) Sept 1981, there are no OTH radar systems being used in the USA. There was originally one designed for use in ME, but defects in xmtr caused much local QRM and there was much protesting by hams and SWLs. Plans have been laid aside for the future (PFC Al Muick, Intelligence & Security Command, US Army Field Stn Augsburg, FRG)

PUBLICATIONS World Radio-TV Handbook 1982 will be available this month or next, w/another Magne rx-review section, \$15 + \$2 shipping (+ CA sales tax in CA) (\$3 shipping to Canada) by check or MD in USA, IMO elsewhere, to Donald E Erickson 6059 Essex St., Riverside CA 92504-1599. Catalog of many other radio publications for SASE.

Review of International Broadcasting, the only magazine devoted to SW programming and listener discussion, still only \$15 in NAM, or Sample \$1.25, US funds only, to Glenn Hauser, Box 6287, Knoxville TN 37914-0287.

Introduction to the Tropical Bands, by Cedric Marshall, 8-page booklet describes 'windows', propagation & techniques in DXing them, for \$1 + SAE w/stamp enclosed in USA & Canada, elsewhere US or C\$2 or 4 IRCs; no personal checks, from Ontario DX Assn, 3 Camrose Crescent, Scarborough, Ont., Canada M1L 2B5 (ODKA)

DX Ontario [cf Oct LN] is developing into excellent 48p FRENDX-size magazine, but price has increased: US & Canada subs \$20, elsewhere \$25; Ontarians can join the club for \$19. Has LN-like column by Steve Webster, articles, SW logs by time block & fq, MW logs, etc. Addr: ODKA Membership Sec'y Mr Tony Clift, R R #3, Campbellville, Ont Canada L0P 1B0 (gh)

The Signal is the new publication starting in Jan of the US DX Assn, a merger of Southern DXA Assn of IL DXers & Atlantic States DXA, to be in FRENDX-sized format; headed by Andy Newton, Box 888653, Atlanta GA 30338. Former rate was \$8.50 to NAM, \$14 airmail worldwide. Is general coverage club emphasizing SWBC (gh)

DX-South Florida published once or twice monthly by S FL DX Club, membership open to all DXers within 150 mi of Ft Lauderdale, contris welcome from everywhere; presently free to contributors. Mainly loggings by country. Addr: Robert Wilkner, 3156 NW 39th Ct, Ft Lauderdale FL 33309 (gh)

Unofficial Radio Bulletin, Issue 3, Part II contained long fq list of pirates in Eu & NAM, + 127 footnotes. No subs but latest issue for SASE + 50c to: URB, 14811 39th NE, Seattle WA 98155 (gh)

Short Waves, weekly newspaper column by gh, now appears in Sunday Pennsylvania, Lebanon, and Sunday Tribune-Review, Greensburg; also available on newstands in many nearby towns (gh)

DX Listening, gh's column in Popular Electronics will probably be appearing alternate months after March (and Dec was skipped), including Broadcasts in English, Jan & Jul issues, If you would like to see its monthly appearance resumed, please write the editor of PE, not me (gh)

DX Korner, C. M. Stanbury's column in S9 appeared for the last time in the Oct issue (SWNS)

IRCs [cf Oct LN-16] You think 65c is a ripoff? The Canadian price has been raised from 45c to 85c each! (Behr, Ont.) And I understand Canadian postage to US has had a whopping increase

Vietnamese SW Stations 1972-1981 is an exhaustive 9-p list by fq, w/intro, published in Oct by DX Front Line; 4 IRCs airmail worldwide (3 IRCs for reduced print version), from Isao Ugusa, 1-3-10 Mikage-yamate, Higashinada, Kobe, 658, Japan (gh)

Latinoamerica DX (ex-Argentina DX) is now monthly, from Asociación DX del Litoral at its new address: P O Box 26, 2124 Villa Diego (SF), Argentina; sample by airmail US\$2 or 5 IRC in NAM & CAM; US\$3 or 8 IRC rest of world; also has extensive cassette tapes of stn IDs etc from IAm and the world for sale; ask for catalog (gh)

Play-DX Tapes Two C-90s available for 10 IRCs each by airmail abroad: 1) IDs from Spain Mediterranean coast, Portugal, Lisbon FM, Cape Verde. 2) Stns IDed from a Brazilian coastal town, both recorded in Oct 1981. Play-DX, Dario Monferini, via Davanzati 8, 20158 Milan Italy

The DX Edge, flat slide-rule type device w/map for determining easily local time, SR/SS, gray lines, ham-oriented but applicable to SWBC, \$14.95 ppd to NAM (+ sales tax in NY); other countries add \$2 for surface or \$4 for airmail (via Ron Howard, CA who dislikes its lack of country boundaries but instead the 40 CQ zones) Box 834, Madison Sq Stn, New York NY 10159

SLIDX Pennant Guide [cf Oct LN] I sent for this two months ago, and followed up weeks ago and still no answer (Roman Mazur, Chester PA, 3/12)

Lista Verde People sometimes ask me if there is a "Broadcasts in Spanish" schedule. Yes, this is it, free on request from Espacio Dixista, Radio Nederland, Box 222, 1200 JG Hilversum, Holland; revised seasonally by Jaime Bagueña and covers external services (gh)

WANTED: Owner's manual for Hallicrafters WR-3000 all-transistor portable. Will pay reasonable fee. Mel Ragucci, 215 Tiki Drive, Merritt Island, FL 32952. Phone (305) 452-2502.

FOR SALE: WRTH's for the years 1969 and 1975 to 1980. Price \$3.50 each.
WANTED: CW and RTTY reader (Kantronics, Info-Tech, etc.). Jim Uerlings, 3908 Kelley Drive, Klamath Falls, OR 97601. Phone (503) 884-7659 after 0130 GMT. Not collect.

FOR SALE: Drake SW-4A. Has rusty chassis but works all right. Price \$125.00.
ALSO: Drake R4b with extra crystals but needs a 49m. crystal and noise blanker repair. Price \$250.00 George Sherman, Box 2284, Minneapolis, MN 55402. Phone (612) 588-2618, not collect, 1600-0400 weekdays.

WANTED: Copy of "Russian Language Reception Report Form" as furnished by NASWA in the early 70's. I will pay postage. John Gunter, 413 N. Dotger Ave., Charlotte, NC 28204. Phone (704) 375-5887.

FOR SALE: SONY ICF-2001 in mint condition with original packing, \$170.00.
ALSO: Panasonic FR-2900 in excellent condition, \$150.00. ALSO: Realistic DX-60, \$30.00. David Potter, 501 116th Avenue N., Apt. 29, St. Petersburg, FL 33702.

QSL REPORT

Sam Barto, NASWA QSL Editor
460 Emmett St. B-19, Bristol, CT. 06010 USA.



RADIO PRAHA

via Ken Briscoe



AFGHANISTAN: Radio Afghanistan 15077 f/d "Buzkashi Game in Progress" cd. in 33 ds. for 3 IRCs (required) (Briscoe-IN).
ALBANIA: Radio Tirana 7120 f/d "Revolutionary Spirit" cd. in 13 wks. (Wilkins-CO). 7065 same in 99 ds. (Tekulve-OH).
ALGERIA: Radio Algiers 17745 f/d "Bouzareah Antenna" cd. in 11 wks. (Wilkins-CO).
ANDORRA: Adventist World Radio 6220 f/d "Transmitter Site" cd. in 3 mo. for a rpt. via Lisbon address. (Leithner-TN). Radio Andorra 6220 f/d cd. in 50 ds. for a taped rpt. and 3 IRCs. (Michaud-QUE).
ANTIGUA: BBC n/d cd. in 5 wks. (Barto-CT).
ARGENTINA: Radio El Mundo 6120 "Microphone" cd. in 5 wks. for a SP rpt. and a photo. v/s Amelia Ferreras, Jefe de Relaciones Publicas y Prensa. (Herkimer-NY). same in 3 wks. for a SP rpt. and 2 IRCs. Sticker rcvd. (Orcutt-CA). Radio Nacional 6060 n/d "RAE" cd. in 25 ds. for an EG rpt. and m/s. (Choroszy-ME). n/d cd. w/ confirmation of RAE on 11710! Are these reports checked? (Leithner-TN). f/d ltr. in 98 ds. for a SP rpt. Also rcvd. station pennant. v/s Ruben O.L. Landolfi. (Dittrich-FL). RAE 11710 attractive p/d cd. in 3 mo. Also rcvd. sked. tourist brochure and a booklet on the nation. (Matthews-OH). "Logo" cd. in 23 ds. for an EG rpt. and 2 IRCs. (Manning-NM). n/d blue cd. in 5 wks. for 1 IRC. (Wilkins-CO). f/d cd. w/ other information in 38 ds. (Sarkisian-MI). 9690 freq. only cd. in 4 wks. (Oksenoff-CA).

ASCENSION ISLAND: BBC 9600 n/d cd. in 50 ds. (Golkin-NY). 15260 n/d cd. in 25 ds. for 1 IRC. (Luke-OH). 11720 cd. in 94 ds. for rpt. on a FR transmission. (Park-HI).
ASIATIC RUSSIA: Radio Moscow via Chita on 12020 f/d cd. in 11 wks. (Oksenoff-CA). via Noko-laevisk - on - Amur on 5900 f/d cd. in 5 wks. (Oksenoff-CA)... Site spelling??
AUSTRALIA: ABC 9610 via Perth-Waneroo f/d "Map" cd. in 20 ds. for 1 IRC. (Hesch-NY).
AUSTRIA: ORF 12015 f/d "Home of Joseph Haydn-Eastern Austria" cd. in 2 1/2 mo. (Matthews-OH). f/d "Austrian Challenge" cd. in 7 wks. (Oksenoff-CA). 5945 same cd. in 65 ds. (Reinstein-FL). 9770 f/d "Lovers" cd. in 3 mo. (Kidd-CA).
BELGIUM: Belgium Radio and Television 15175 f/d cd. in 31 ds. for 1 IRC. (Luke-OH). 21810 f/d "Logo" cd. in 40 ds. (Alsbrook-AR). 11695 f/d cd. and schedule in 6 wks. (Oksenoff-CA). 15365 cds. of "Gerard Walschap" "Herman Teirlinck" and "August Vermeylen" (oldtime writers) in @ 35 ds. (Byron-NY).
BELIZE: Radio Belize 3285 f/d "Map" cd. in 20 ds. for an EG rpt. and m/s. (Choroszy-ME). same in 18 ds. for 1 IRC. v/s S. Abraham. My 1964 QSL cd. from this station hasn't changed a bit! (Wilkins-CO).

BENIN: La Voix de la Revolution 4870 p/d cd. in 46 ds. for an EG rpt. (Rekich-PA). f/d "Flag, Map and Microphone" cd. in 5 mo. for a FR rpt. and 2 IRCs. (O'Riordan-ID).
BOLIVIA: Radio Illimani 6025 n/d ltr. in 5 mo. for a SP rpt. and 2 IRCs. Tourist information was also rcvd. v/s My. Mario Ortiz Ortiz, Director General. (Leithner-TN). ltr. in 93 ds for 1 IRC. (Darling-UK). p/d form ltr in 91 ds. for a SP rpt. and m/s. (Dittrich-FL). p/d form ltr. in 121 ds. for a SP rpt. and m/s. (Moore-PA).

Radio Panamerica 6105 f/d "Logo and Emblem" cd. in 2 mo. for a SP rpt. and 2 IRCs. v/s Daniel Sanchez Rocha, Sub-Director. (Leithner-TN).



VOICE OF MALDIVES
Radio Maldives
Male', Republic of Maldives.

Mr. Ronald Howard
777 Via Hierba,
Santa Barbara,
California 93110,
U.S.A.

BONAIRE: Radio Nederland

9590 f/d "Johannes Jelgerhuis Painting" cd. in 19 ds. (Moore-PA).

BOUGANVILLE(North Solomons):

Radio North Solomons 3322
p/d ltr. in 36 ds. v/s Sam Sawa, Assistant Manager (Kekich-PA).

BRAZIL: Radio Guaba 5965

n/d plain multi-lingual cd. in 23 ds. for a PT rpt and m/s. v/s Werner Volk.

Statements in SP,FR only said said "Thank You" while those in EG,PT and IT actually
* "Confirmed Your Report". (Hall-GA). **Radio Nacional de Sao Gabriel 3375** n/d ltr. was received from RadioBras. My report was mailed direct to the station. This in 50 ds. for a PT rpt. and m/s. v/s Ana Maria Carneiro de Matos / Ata-Suama. (Choroszy-ME). **Radio Nacional do Brasil (RadioBras) 17830** f/d "RNB Studio" cd. in 26 ds. for an EG rpt. Sticker rcvd. v/s R. Hwedof. (Roser-PA). p/d cd. in 35 ds. (Whalen-FL). f/d "Modern Architecture" cd. in 1 mo. Also rcvd. station sticker. (Wilkins-CO)....I tried sending rpts. for 3375(above) and Cruzeiro do Sul(4765) via RadioBras but they replied that "These stations are not prepared to verify reports due to a lack of personnel at the stations." (Wilkins).

BULGARIA: Radio Sofia 15110 n/d "National Theater" cd. in 67 ds.

BURMA: Burma Broadcasting Service 5040 f/d cd. in 6 (Alsbrook)

* mo. for an EG rpt. (Leite-MA)....Not seen in a while!!!

BURUNDI: Radiodiffusion Nationale du Burundi 3300 f/d "Antenna Tower

* Sketch" cd. in 165 ds. for a FR rpt. and 3 IRCs. v/s Le Chef de Service Technique. (Gavaras-MN)....Nice QSL!

CAMEROON: Radio Yaounde 4850 f/d "Map" cd. in only 7 yrs.(!) actually

1 yr. after my 4th follow-up report. This was for a FR rpt. and 3 IRCs. They had everything correct on the envelope except they listed the country as Finland - but it got here!(Orcutt-CA). **Radio Garoua 5010** f/d form ltr. in 3 mo. for an EG rpt. and 1 IRC. (Leithner-TN).

CANADA: CHU 7335 n/d "Sir Sanford Fleming" cd. in 17 ds. (Boone-TX). **CHNX**

6130 via Halifax, NS. p/d "Ocean Playground" cd. in 1 mo. for m/s. v/s Douglas V. Hiltz, Engineering Department. Also rcvd. CHNS/CHFX station stickers. (Leithner-TN). **CFCX 6005** green "Montreal" cd. in 135 ds. for 1 IRC. (Hardester-CA).

CELEBES ISLANDS(Sulawesi): Radio Republic Indonesia 3215 via

* Manado f/d cd. in 40 ds. for an IN rpt. and m/s. v/s Eddy Maman-gkey, Station Manager. (Gavaras-MN).

CHINA: Radio Peking 15520 "Autumn View of the Great Wall" cd. in 27 ds. w/ station pennant. (Tekulve-OH). 17680 f/d "Gate of Heavenly

RADIO REPUBLIK INDONESIA

Dengan hormat. from the collection of John Meyer

Kami membenarkan laporan Tuan dari.

R.R.I. STASIUN SORONG LOKASI IRIAN JAYA

FREKWENSI 4875 Khz WAKTU 12.33 - 13.10

TANGGAL 28 oktober 1981

Pemancar kami 10 KW merk Harris

Antena kaliling Tinggi 20 m.

Terima kasih banyak untuk laporan Tuan.

**BAYERISCHER RUNDFUNK**

Anstalt des öffentlichen Rechts

München 100 kW 800 kc/s
Nürnberg 20 kW 1602 kc/s
Landshut 20 kW 1602 kc/s*
Kirdheim 20 kW 1602 kc/s*
Bayreuth 5 kW 590 kc/s
Hol 4 kW 590 kc/s

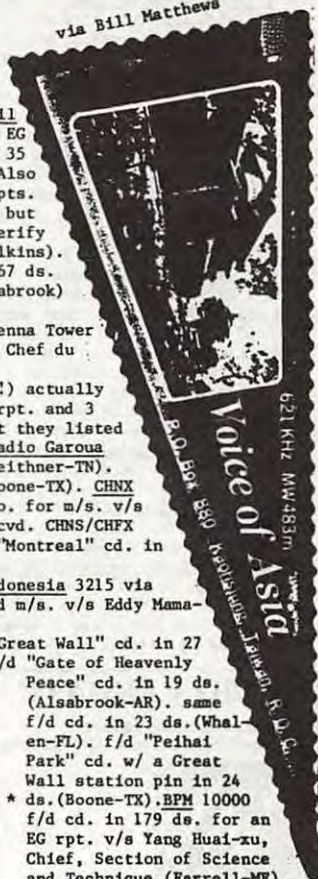
Nebensender: *
Augsburg, Coburg, Kempten,
Landshut, Passau, Regensburg,
Weiden, Würzburg
0.4 - 2 kW, 1484 kc/s

München 10 kW. ⁶⁰⁷⁵ 6000 kc/s

70 FM-UKW-Sender im 3 m Band (87.6-100 MHz)

Sendereiten: Mo. Mi. Fr.: 05.30-09.50, 10.30-01.00. Di. Do. Sa.: 05.30-01.00 MEZ
Su. 00.00-01.00 MEZ * nur Nachtbetrieb

via Bill Matthews



COLOMBIA: Radio Sutatenza f/d personal ltr. in 49 ds. for a SP rpt. and 1 IRC. v/s Jardany Suarez Ramirez. (Boone-TX).

* **Emisora Nueva Granada 6160** color photo cd. of the RCN mobile unit in 2 mo. v/s Carlos Lulle Borda, Gerente Tecnico Nacional (Herkimer-NY).

Radiodifusoras ALTIPLANO



*View South from the Edge of the Enderby
Amateur Club erected within two weeks of landing up
The world has by the way not expected such results. Today, 1981,
since hard frequency and has made upsets reach all parts of the world.*

COOK ISLANDS: Radio Cook Islands 11760 f/d cd. in 20 ds. for 3 IRCs. v/s Nooroa E. Tangaroa, Chief Technician My 6 continent QRP is now down to 2080 watts! (Darling-UK). f/d cd. in 21 ds. (Sarkisian-MI).

COSTA RICA: Radio Nacional de Costa Rica 6035 n/d ltr. in 6 wks. for a SP rpt. and m/s. v/s Haydee Stirbu

* Vainstein, Director. Addr: Apartado 7-1980 San Jose. (Lobdell-MA).

CUBA: Radio Habana Cuba 11760 f/d "Havana Embankment" cd. in 8 1/2 mo. for an EC rpt. v/s Maria Montero Triana. (Roser-PA). 11930 and 9525 f/d "Momentum" cd. in 172 ds. Also rcvd. a station pennant. Letter was postmarked 11/22/81 from Habana and I received it on 11/23/81 - now thats fast!!! (Tekulve-OH). 11725 f/d "Spearfishing" cd. in 27 wks. (Wilkins-CO). f/d cd. in 194 ds. w/ pennant. (Rekich-PA). Radio Moscow via Habana 9600 f/d cd. in 49 ds. (Tekulve-OH). same in 5 wks. (Oksenoff-CA).

CYPRUS: CBC 9695 f/d cd. in 45 ds. (Golkin-NY).

DENMARK: Radio Denmark 15165 f/d "Aerial Tower" cd. w/ sked in 1 wk. (Golkin-NY). same in 15 ds. (Sarkisian-MI).

ECUADOR: HCJB 9745 f/d "50th Anniversary" cd. in 1 mo. (Barto-CT). 15155 rcvd. 2 cds. "Musician and Transmitter" and "Studio and Steerable Antenna" in 3 mo. w/ ANDEX Mailing. (Lobdell-MA). 9745 11915, 17875, 15155, 15360 and 6095 rcvd. 7 different cds. in 5 wks w/ station pennant and other information. (Wilkins-CO). 17890 and 15360 "Logo" cd. in 58 ds. Also rcvd. pennant and 2 different stickers. v/s Sam Rowley and Herbert D. Jacobson. (Tekulve-OH).

Emisoras Gran Colombia 4910 personal ltr. w/ red pennant in 3 mo. for a SP rpt. and m/s. v/s Eduardo Cevallos C., Director. (Lobdell-MA). same in 222 ds. for a SP rpt. and m/s. Pennant rcvd. (Choroszy-ME).

EGYPT: Radio Cairo 9805 f/d "Mosque" cd. in 119 ds. w/ schedule and postcard. (Reinstein-FL). 12000 f/d cd. w/ other materials in 57 ds. (Boone-TX). cd. in 159 ds. w/ postcard of Suez Canal. (Tekulve-OH).

EL SALVADOR: Radio Nacional de El Salvador (YSS) 9553 returned prepared cd. w/ f/d though no v/s or station stamp on cd. Rcvd. in 441 ds. total and 113 ds.

* after 3rd follow/up. My follow/up rpt. was posted air w/ a copy of my original rpt. a cover ltr., and a prepared cd. w/ airmail postage attached. What I rcvd. back was my original envelope marked "Partisans Laissen" and some other words

RADIO VANUATU

FORMERLY RADIO NEW HEBRIDES
ANNIENMENT RADIO NOUVELLES HEBRIDES



Head of slit Gong (Tam Tam) from Ambrym Island; used in village to village communications and in custom ceremonies.

Q. S. L.

To JOHN DE WICKERS

of CLEAR RIDGE COL.

I AM PLEASED TO VERIFY YOUR
RECEPTION OF THIS STATION

AT G.M.T. 0815 DATE 30.4.81

ON 1125, 3945, 7260 KHz

John De Wickers

For RADIO VANUATU
P.O. Box 49,
PORT VILA
VANUATU (NEW HEBRIDES).

that I can't read clearly. Upon opening the envelope, I found my original rpt. copy, the cover ltr., and the prepared cd. w/ the f/d filled in and no signature, stamp or seal. There was no sign that the envelope had been opened and re-sealed but it obviously had been. This is the strangest reply I've ever rcvd. from any station. (Hard-ester-CA).

ENGLAND: VOA Woofferton 9760 cd. rcvd. from the Vienna office in 58 ds. (Darling-UK). f/d cd. in 11 ds. (Tokarchick-NY).

QSL FOR 0042-0056 Z
7-20-80. THANKS.
J. Wilkerson

via Herkimer
LA VOZ DE LA MONTAÑA
4910 KHz
PUERTO LEMPRA, HONDURAS
CRISTO PARA TODOS
HKK

ENGLAND: BBC 15360 n/d
 "Bridge" cd. in 37
 ds. (Whalen-FL). 21710
 cd. in 94 ds. (Park).
 * Radio Pegasus 6237
 prepared cd. in 107
 ds. (Darling-UK).
 * South Coast Radio
 6300 prepared cd. in
 5 ds. (Darling-UK).
 * MoA Radio 6261 pre-
 pared cd. in 754 ds.
 (Darling-UK).

EUROPEAN RUSSIA: Radio
 Moscow via Moscow on
 15100 f/d cd. in 6
 wks. (Oksenoff-CA).
 9610 f/d cd. in 5 wks
 (Oksenoff-CA). 9680

f/d "Tower" cd. in 49 ds. (Tekulve-OH). 15425 and 15455
 cds. in 45 ds. (Tekulve-OH). via Vinnitsa on 11735 f/d cd.
 in 41 ds. (Oksenoff-CA). via Serpukhov on 17700 f/d cd. in
 40 ds. This freq. has also been reported as Tallin but I
 got the above site. (Gavaras-MN).

FEDERAL REPUBLIC OF GERMANY: Voice of America 3980 via
 Munich cd. rcvd. via the Vienna office in 58 ds. (Darling-
 UK). Deutsche Welle n/d "Logo" cd. in 50 ds. (Roser-PA).

FINLAND: Radio Finland 17800 f/d "Summer in Finland" and
 "Tapiola Garden City" cds. in 45 and 31 ds. (Moore-PA).

FRANCE: Radio France International 25820 f/d "50th Anniver-
 sary" cd. in 22 ds. for 1 IRC. (Luke-OH). 17775 and 21595
 f/d cd. in 29 ds. (Whalen-FL). 17860 f/d cd. and station
 stickers in 32 ds. (Sarkisian-MI).

GABON: Africa Number One 11755 ltr. in 35 ds. for 2 IRCs.
 (Byron-NY). n/d form ltr. in 1 mo. for a FR rpt. and 2
 IRCs. (Wilkins-CO). 4811 p/d ltr. in 5 wks. (Leite-MA).
 Radio France International 15435 via Moyabi f/d cd. in
 92 ds. w/ pennant. (Dittrich-FL).

GERMAN DEMOCRATIC REPUBLIC: Radio Berlin International 9560
 f/d "Discone Antenna" cd. in 9 wks. (Wilkins-CO). 11890
 f/d cd. w/ schedule in 2 mo. (Oksenoff-CA).

GHANA: Ghana Broadcasting Corp. 4915 printed form ltr. in 50 ds. (Hesch-NY).

GREECE: Voice of Greece 11730 f/d "Rhodos Beach" cd. in 86 ds. for 1 IRC. (Boone-TX). same
 cd. in 3 mo. (O'Riordan-ID). f/d "Samos - Calm at Kokkari" cd. in 67 ds. (Alsbrook-AR).
 cd. in 2 mo. (Yangling-MD). Voice of America 11760 via Kavala cd. rcvd. via the Vienna
 office in 57 ds. (Darling-UK).

GUAM: Trans World Radio (KTWR) 9510 "World Map" cd. in 13 ds. v/s Winnie Whitmore (Park-HI).
 11735 "Map of Guam in Chinese" cd. in 13 ds. (Park-HI). 11840 f/d cd. in 51 ds. for 1 IRC.
 (Luke-OH). 17770 f/d cd. and pennant in 14 ds. (Sarkisian-MI). 11840 f/d "Map" cd. in 2
 wks. for US m/s. (Wilkins-CO).

GUATEMALA: Radio Cultural (TGNA) 3300 cd., sticker and schedule in 109 ds. (Golkin-NY).
 Radio Nacional (TGW) 6180 p/d "Flag" cd. in 77 ds. for a SP rpt. and 2 IRCs. v/s Arelly
 de Affre, Secretary

VOICE OF NIGERIA

THE EXTERNAL SERVICE OF THE FEDERAL RADIO CORPORATION
 OF NIGERIA

BROADCASTING HOUSE, LAGOS

13th August 1981

Thank you for your report of 20/3

1981 at 2127 hrs G.M.T.

I have pleasure in confirming that the
 transmission was from our EXTERNAL

transmitter on 15120 KHZ

CHIEF ENGINEER

Printed by The African Press (Nig.) Ltd.

Thomas J. Tingling Jr.

221 Pinewood Road

Baltimore, Md 21222

U. S. A.



AFGHANISTAN OFFICIAL VERIFICATION

We acknowledge receipt of your
 reception report 15077 khz
 date: 8, 11, 81.....

in English language
 from 1960 to 1980 GMT

Your report has been checked
 with our records it is correct in
 every detail. May you always
 receive our programmes in best
 quality possible. via

with kind regards Ken Briscoe
 for chief engineer,
 Radio Afghanistan
 Kabul, P. O. Box 544

QSL

KABUL PHOTO HOUSE

HAWAII: WWVH 15000 f/d
 "Aloha" cd. in 25 ds
 v/s C.L. Trembath.
 (Boone-TX). in 26 ds.
 (Luke-OH).

HOLLAND: Radio Nederland 17605

f/d cd. in 73 ds. (Michaud-QUE)

* **ARTO Radio** 6230 via Bussem station confirmed tentative reception w/ f/d red cd. and a ltr. in 5 wks. I sent a tape of the reception to see if they could ID it as to their station. They replaced it with a copy of their test made in the studio in Dolby stereo. My cassette had greeting to Jerry Berg on it and Jerry who also received a tape had greeting to me on his tape. We exchanged tapes. Power of test was 150 watts. (Lobdell-MA).



HONDURAS: La Voz de la Mosquitia 4910 rcvd. a blue and red paper pennant w/ QSL state-

* ment in the margin in 4 mo. for an EG rpt. v/s L. Wilkerson. (Herkimer-NY).

HUNGARY: Radio Budapest 17710 f/d "Shortwave Club" cd. in 8 wks. (Wilkins-CO). f/d "Night City" cd. in 45 ds. (Whalen-FL).

ICELAND: ISBS 13797 f/d "Autumn Landscape at Thingvellir" cd. in 23 ds. for 2 IRCs. (Tokarchick-NY). same in 38 ds. (Plotnick).

INDIA: All India Radio 11620 f/d "Diwan-i-An Fort at Agra" cd. in 83 ds. v/s B.R. Chal-apattukao, Audience Research Officer. (Reinstein-FL).

IRAQ: Radio Baghdad International 9745 large folder cd. in 161 ds. w/ pennant. (Tekulve-OH). same in 116 ds. (Manning-NM).

IRELAND: Radio Dublin International 6910 ltr. in 39 ds. for 1 IRC. (Yucas-MA). "Map" cd. in 23 ds. for 2 IRCs. v/s Angela Meier.

* (Besch-NY). South Dublin Radio 6243 white f/d cd. in 3 wks. for 2 IRCs and a tape.

* (Lobdell-MA). Capital Radio International 2628 f/d cd. in 32 ds. for 2 IRCs. v/s Aidan Hughes. (Fisher-MA).

ISRAEL: IBA 11640 f/d "Israel Museum / Shrine of the Book" cd. in 45 ds. (Whalen-FL). same cd. in 54 ds. w/ schedule. (Plotnick-CT). 11637 f/d cd. in 40 ds. for a taped rpt. (Byron-NY). 9815 f/d cd. in 42 ds. (name?).

ITALY: RAI 11800 f/d "Venere Dormiente" cd. in 111 ds. (Roser-PA). f/d "Fontana dei Quattro Fiumi" cd. in 4 mo. (Matthews-OH).

JAPAN: Radio Japan 9505 "Sanzen Temple" cd. in 17 ds. (Tekulve-OH). same cd. in 3 wks. (Matthews-OH). "Straw Horse" cd. in 19 ds. (Tekulve-OH). "Wisteria Flowers at the Shrine" cd. in 18 ds. w/ newspaper. (Tekulve-OH). 21640, 15310 and 11840 p/d cds. in 36 ds. (Rekich-PA). 21640 cd. in 14 ds. (Whalen-FL). f/d cd. in 20 ds. (Byron-NY). NSB 9595 f/d "Japanese Girl" cd. in 103 ds. w/ station poster. (Dittrich-FL).

JAVA: Voice of Indonesia 11790 "Bromo Volcano" cd. in 3 mo. (Barto-CT). f/d cd. and schedule in 7 wks. (Oksenoff-CA). p/d "Village in South Sul west" cd. in 148 ds. for 2 IRCs. (Manning-NM). cd. in 73 ds. (Rekich-PA).

KAZAKH SSR: Radio Moscow via Alma-Ata on 11770 f/d "View of Kremlin" cd. in 35 ds. (Gavaras-MN).

* **KIRIBATI:** Radio Kiribati 16433 personal ltr. in 70 ds. for 2 IRCs. and a taped rpt. First QSL for the UK! v/s Keith Daniels, Station Manager. (Darling-UK).

KIRGHIZ SSR: Radio Moscow 15535 via Frunze f/d cd. in 35 ds. (Gavaras).

KOREA, REPUBLIC OF: Radio Korea 11830 f/d "Water Jar" cd. w/ sticker in 25 ds. (Boone-TX). 9720 f/d cd. in 5 wks. for 1 IRC. (Oksenoff-CA).

VOICE OF THE REVOLUTION
NATIONAL
BROADCASTING SERVICE
P.O. Box 617 - Conakry
Republic of Guinea

16-4-84

VERIFICATION OF
RECEPTION REPORT
of Mr WALTER H.
JITTRICH 85 MEIGS
DRIVE SHALIMAR, FLD.
RIBA 32279 U.S.A.

Dear Listener,

We received your reception-report with a great pleasure. Here is its verification:

Date of reception February 9 th 1981. Time: from 0300 to 0420 H.G.M.T. 15310 - 9650 KHZ

Our program confirms that it was our station you heard. Your report is very interesting; we appreciated it very much.

FOR EVERY FURTHER CORRECTION PLEASE ENCLOSE TWO INTERNATIONAL REPLY COUPONS

Many THANKS

We give you below our complete broadcasting program.

KHz - m	G.M.T.																									
	0	1	2	3	4	5	6	7	8	9	10	11	12	13	14	15	16	17	18	19	20	21	22	23	24	
1403-214																										
4916-60																										
7125-31																										
9650-31																										
15310-19																										
6140-48																										

We hope that you will write us again. Receive our friendly greetings.

The Directorate of the Technical Studies

RADIO AUSTRALIA



Voice of Indonesia
"Bromo Volcano" card

KOREA, REPUBLIC OF: Radio Korea 11725 "Studio" cd. in 27 ds. for 1 IRC. Also rcvd. a very beautiful cloth pennant and a map of Korea. (Yucas-MA). f/d cd. in 28 ds. for 2 IRCs. Pennant rcvd. (Briscoe-IN).

KUWAIT: Radio Kuwait 11665 f/d folder cd. in 99 ds. (Michaud-QUE). 11675 same f/d cd. in 31 ds for 2 IRCs. v/s Jawad Al-Mazeedi, Chief Engineer. (Kononchik-CT).

LEBANON: King of Hope 6215 f/d cd. in 10 ds. v/s Stu Otis. (Rekich-PA).

LIBERIA: Voice of America 17870 via Monrovia cd. via the Vienna office in 58 ds. (Darling).

MALAGASY REPUBLIC: Radio Nederland 15220 f/d cd. in 40 ds. for 1 IRC. (Luke-OH). f/d "Courtyard of the Almhouses" cd. in 53 ds. (Boone-TX).

MALTA: International Christian Radio 9515 via Radio Mediteran f/d "CN Tower in Toronto" cd. * in 19 ds. (Reinstein-FL). same in 19 ds. for a report addressed to: P.O. Box 521, Station "F", Toronto, ONT. M4Y 2L8 Canada. (Darling-UK). same in 22 ds. (Leite-MA). Deutsche Welle 11865 n/d "Logo" cd. in 61 ds. (Boone-TX).

MONACO: Trans World Radio 9495 f/d cd. in 16 ds. for 2 IRCs. (Manning-NM). f/d "Antenna" cd. in 24 ds. for 1 IRC. Also rcvd. a small orange & white pennant.

NEPAL: Radio Nepal 3425 cd. in 319 ds. QSL obtained through the (Yucas-MA). intervention of an Embassy official in Kathmandu. Station says that they have over 3500 * reports to answer. The problem is that Nepal does not accept IRCs. (Darling-UK)....
May be better to use m/s on a prepared card.

NEWFOUNDLAND: CRZN 6160 f/d cd. in 29 ds. (Rekich-PA).

NICARAGUA: La Voz de Nicaragua 5950 n/d ltr. and pennant in 80 ds. for a SP rpt. and 3 IRCs.

NIGERIA: Voice of Nigeria 15120 f/d "Tafawa Balewa Square" cd. in 193 ds. for 3 IRCs (which were returned). (Reinstein-FL). cd. in 262 ds. (Yingling-MD). "Milk Sellers" cd. in 211 ds for 1 IRC. (Besch-NY). FRNC 4770 via Kaduna f/d ltr. in 5 mo. v/s Ismaila Moh. (Leite-MA).

NORWAY: Radio Norway 11850 "Winter in Norway" cd. in 44 ds. for 3 IRCs. v/s Erling Thokle. (Park-HI). 17795 f/d "National Costumes" cd. in 30 ds. (Moore-PA). 11870 same cd. in 2 mo (Wilkins-CO). 25615 p/d "Rostad" cd. in 1 mo. (Alsbrook-AR). 25730 f/d cd. in 30 ds. v/s Olav Mo Grimdalen, Frequency Manager. (Roser-PA).

PAPUA NEW GUINEA: Radio West Sepik 3305 p/d ltr. in 6 wks. for 1 IRC. v/s Riccardo Ali. (Gliksman-IL).

PARAGUAY: Radio Nacional 11915 p/d ltr. in 115 ds. for a SP rpt. and 2 IRCs. v/s Carlos Tomas Montaner, Jefe Tecnico. (Reinstein-FL). same in 13 wks. for 1 IRC. (Wilkins-CO). ltr. in 10 mo. (Hunwell-NJ).

PERU: Radio Atlantida 4790 ltr. in 110 ds. for a SP rpt. (Hoeftel-WA). Radio Tropical 4935 p/d cd. in 7 wks. for a SP rpt. & 1 IRC. The IRC was parted to the ltr. as postage! (Gliksman-IL).

PHILIPPINES: Voice of America 9545 via Tinang cd. in 15 ds. (Manning-NM). 6110 cd. in 58 ds. (Darling-UK). 17820 via Porc f/d cd. in 10 ds. (Tokarchick-NY). 21680 cd. in 58 ds. (Darling-UK). AFRTS 26000 via Porc cd. in 18 ds. (Darling-UK). FEB 11890 f/d cd. in 30 ds. for m/s. Pennant rcvd. v/s Mrs. Alida Pandman, QSL Secretary. (Choroszy-ME).

POLAND: Radio Polonia 15120 f/d "Warsaw Royal Castle" cd. in 6 wks. (Oksenoff-CA) f/d "Tazienki Park" cd. in 34 ds. (Boone-TX). 9525 same cd. in 42 ds. w/ station pin. (Dittrich-FL).

P
POLISH PATHFINDERS BROADCASTING STATION
KONOPNICKIEJ 6, 01-491 WARSAW POLAND
P.O. Box 362 tel. 21-84-34
Telex: 812269 ZHP PL

via Al Muick in Germany
Thank you for your report on the reception of our transmission.
Time: 1110-1129 GMT, service on 22nd May 1980 from Rozgłosnia Harcerska operating on 6195 kHz /1kw/ in parallel with 7205 kHz /5kw/.

We confirm that this is in accordance with our programme schedule.

Yours sincerely,

Time - Table and Frequency

Head of P.R.O.

ERT

QSL



la voz del cinaruco

ARAUCA -- COLOMBIA -- SUR-AMERICA

TOGO: Radio Togo 5047 f/d "Map" cd. in 80 ds. for a FR rpt. and 2 IRCs. (Michaud-QUE).
TURKEY: Voice of Turkey 9560 f/d "Fort on the Coastline" cd. in 23 ds. Pennant and stickers
rcvd. w/ postage stamps. (name?)

TURKEMEN SSR: Radio Moscow via Ashkhabad on 15295 f/d
cd. in 35 ds. (Gavaras-MN).

UGANDA: UBC f/d cd. in 19 mo. v/s David R. Baga. 3 IRCs
(Greenwood-PA). f/d cd. in 41 mo. (Pieper-MI).

UKRAINIAN SSR: Radio Moscow via Lvov on 9765 f/d cd.
in 47 ds. (Tokarchick-NY). via Vinnitsa on 11710 f/d
cd. in 49 ds. (Tekulve-OH). Radio Kiev 9800 f/d cd.
in 71 ds. for 1 IRC. (Luke-OH). 11735 cd. in 66 ds.
(Reinstein-FL). 4940 f/d cd. in 2 mo. (Barto-CT).

UNITED ARAB EMIRATES: Dubai Radio and Colour TV 21695
f/d "Map" cd. in 56 ds. for 1 IRC. (Luke-OH). same
in 9 wks. v/s H. Parker. (Okseno-CA). 17775 cd. in
24 ds. v/s K.F. Fenner, Chief Engineer. (Roser-PA).
cd. in 34 ds. (Whalen-FL). 15320 f/d cd. in 26 ds.
for 1 IRC. (Michaud-QUE). 21655 cd. in 44 ds. (Alsa-
brook-AR). same in 2 mo. (Barto-CT).

USA: WVY 10000 f/d cd. in 9 ds. (Luke-OH). WYFR 5985 f/d cd. in 28 ds. (Michaud-QUE). 11830
f/d "Logo" cd. in 15 ds. (Whalen-FL). Syncom
48 6265 f/d "Skylab" cd. in 195 ds. for m/s
(Gavaras-MN). Voice of the OAS 15160 via
Greenville f/d form ltr. in 36 ds. for a
SP rpt. (Whalen-FL). same in 130 ds. for m/s
(Dittrich-FL). United Nations Radio 11830
f/d cd. in 7 ds. (Luke-OH). 15410 cd. in 6
ds. (Tekulve-OH).

UPPER VOLTA: Radio Voltaique

4815 f/d ltr. in 60 ds. for a FR rpt. and 3 IRCs. (Gavaras-MN).

URUGUAY: Radio Carve (CX16) 6155 p/d ltr. in 66 ds. for a SP rpt. and 1 IRC.
* v/s Graciela Corradi de Lapi, Secre aria. (Reinstein-FL). ltr. in 1 mo. for
a SP rpt. and 1 IRC. (Gliksman-IL). (Matthews-OH).

UZBEK: Radio Tashkent 15460 f/d cd. in 1 mo. v/s Mrs. Nadira Babadjanova.

VATICAN: Radio Vatican 6015 "Nervi Hall" cd. in 16 ds. (Tekulve-OH). cd. in 56 ds
(Michaud-QUE). 9605 and 6015 f/d cd. in 114 ds. (Moore-PA).

VENEZUELA: Radio Valera 4840 p/d cd. in 54
ds. for a SP rpt. and m/s. v/s Carlos
Balza, Director. Sticker rcvd. (Choroszy
-ME). Radio Turismo 6180 p/d cd. in 1
mo. for a SP rpt. (Leithner-TN). n/d cd.
in 35 ds. for a SP rpt. and 1 IRC. (Chor-
roszy-ME). YVTO 6100 f/d cd. in 24 ds.
(Sarkisian-MI). Radio Yaracuy 4940 p/d
form ltr. in 5 wks. (Barto-CT).

WEST IRIAN: RRI Nusantara V Jayapura 6070
f/d cd. in EG in 2 mo. for an IN rpt.
* and m/s. Also rcvd. personal ltr. in
EG. v/s Muhammed Ely. (Lazarus-LA).

YEMEN ARAB REPUBLIC: Radio Sana'a 9780 f/d
ltr. in 195 ds. for an EG rpt. and 3
IRCs. (Gavaras-MN). p/d ltr. in 703 ds.
after one follow/up and 3 IRCs. (Hensley
-TX). 4853 p/d ltr. in 11 mo. for an EG
rpt. (Leithner-TN).

This month we had @ 109 countries reported.
Not too bad considering its the Holiday
Season.

Not too much space left but I would like
to thank our readers for the dozens of
cards received over the past few weeks.
Everyone have a Happy!



Henry Lazarus

LS5 RADIO RIVADAVIA

800 470-448 - 900 470-448



Rai Italia
QSL card

Giorgione's
"L'Adorazione
dei Pastori"

update

Tom Alleman
615 W. 43rd Terr., Apt. 6
Kansas City, MO 64111 USA
(816) 931-5943 7-10 p.m. Central Time only!

UPCOMING DEADLINES: 10 January (Mid-Jan) 24 January (February) 10 February (Mid-Feb)

Reproduction permitted provided credit is given original reporter and NASWA UPDATE. Dates, times and days GMT; freqs are kHz.

AFGHANISTAN RA, 4747, in lang as early as 0045 12-13; vy good. Open carrier and test tones, IS 0126, into Koran readings at 0130 // 10457 SSB (good) but nothing noted on 4450. Fading but still audible past 0200. (Reinstein, FL)

****ANTARCTICA** LRA 36, R. Nac. San Gabriel, 15476, in SP 0043; fair. Latin mx, wind sounds, ID as "Esperanza" and vy clear "LRA 36, R. Nacional," wind again and more mx. Some fading. Slight UTE QRM on high side. (Jones, MS 12-10)

BANGLADESH RB, 11767, in lang (presumed AR) *1644-1705; fair at best w/ low modulation. S/on w/ IS, talking by M, Koran reading, etc. (Gavarras, MN 12-13)

BOLIVIA R. Panamericana, 6105, in SP 1041; vy good. Fine mx, guitars, flutes, charangos. (Jones MS 12-14)

CANADA CFCX, 6005, in EG 0943; excellent. M anncr w/ "4:43, CFCF Radio in Montreal" anncmt, and into usual pops. No Reloj. (Klein, NJ)---Same in EG 0614-42; finally hrd here; human interest nx, TCs by M, IDs and slogans for HFC, Coquette Children's Wear, restaurants, etc. No sign of Reloj. Fair. (Hall, CA 12-14)***CKZN, 6160, in EH 0935; excellent. Two M anncrs w/ local weather. Very cold up there. Into local nx of Newfoundland. (Klein, NJ)***CKZU Vancouver, 6160, in EG 0644-0700; hoping for the Newfoundland but no such luck. This w/ "Sound of Sports" show from CBC Sports, CBC Radio ID and back to local pgms including ads for local theatres. (Hall, CA 12-14)

COLOMBIA Em Nueva Granada, 6160, in SP 0625-30; fair. Anncmts by M, TCs, lots of RCN plugs. (Hall, CA 12-15)

****ENGLAND** Atlanta R. noted during test of 11-22 0553-0800* on 6240+. Weak but generally constant sigs and occasional UTE QRM. Pop mx, accented DJ in EG, only good ID 0555. Strength improved during last 1/2 hour of xmsn but moderate to severe local QRN hurt readability. (Bares, CT) **EQ. GUINEA** Bata, 4925, in SP 2131-2200*; weak. Many IDs as R. Ecuatorial Bata. Local mx, tunes from Michael Jackson. Off w/ ID, sked and anthem 2200. (Gavarras, MN)***Malabo, 6150, in SP, 2127-2200*. Mentions of Guiea Ecuatorial and RN de Guiea Ecuatorial. No mention of Malabo. Up-tempo local mx, ABBA, too. Many TCs. Off 2200 w/ ID, sked and NA. Poor at first but improved. (Gavarras, MN 11-22)

FR GUYANA Cayenne, 3385, in FR *0900; fair. Time pips, guitar IS and ID and freqs. Not on 6170

****This day** (12-8). (Jones, MS 12-8)***Cayenne, 5055, in FR 0950 // 6170 (which is actually a little low); both vy good. M w/ talk on Poland, different M anncr 0955, several mentions Cayenne and local anncmts past the hour. (Klein, NJ)

GABON Africa No 1, 4810a, in FR 2232; vy good. Pop mx, DJ type anncr, strong sig. (Jones, MS 12-13)

GERMANY (DEM REP) RBI, 15170, in EG 1831; good. Nx about Poland. (Jones, MS 12-13)

GUATEMALA LV Nahuala, 3360, in SP 1149-1215; Christmas carols, M anncr, TC, IDs. (Hall, CA)*** R. Tesulutlan, 4835, in SP in vy well 0219-20*. Many clear IDs by M, no sign of Reloj. (Hall, CA 12-10)

IRELAND S. Dublin R., 6240, in EG 0636-0715 12-13 as scheduled. Fair at best. Mostly boring pop mx, quite a few IDs, TCs and ment of 6240. Mx clearer than talks, which were quite muffled. (Reinstein, FL)---Same 0558-0758* 11-29; DJ, pop/disco mx, IDs, anncmts. On anncd 6240 rather than previous 6243. (Bares, CT)***Westside R., 6280, in EG 0800-04* 11-29 w/ ID, s/off anncmts. Seemingly a test to WCNA. Also assumed the one on 6280 12-13 0746-0806* w/ rock mx, DJ. (Bares, CT)***Suirside R., tentative on 6234, 0804-0935 f/out. Rock mx, DJ, GMT TCs, and possible pre-recorded ads. Euro contacts say Suirside active this date but no ID. (Bares, CT 11-29)

ITALY Ital. B'casting Co., 6275, in IT 0459-0715; talks by various anncrs, both M&F, some mx interludes. Several probable I-B-C IDs and one definite at 0554 followed by accented EG ID one minute later. Poor and RTTYD. (Bares, CT 11-29)

JAPAN NSB, 6115, in JP 0855; fair. Pgm of MoR mx, W anncr, pips and tone on hour, and M anncr w/ possible n. (Klein, NJ)

KUWAIT RK, 15495, in AR 2050-2110*; excellent. AR mx and nx 2100. Clear ID as "huna al Kuwait" by M and gone at end of nx. (Reinstein, FL 12-12)

KOREA (out of order) NORTH KCBS, 6601a, in KR 2245+weak but definitely // 11350, the usual KCBS freq. No ID but determined M talking. Mentions of Kim Il Sung an adequate substitute. (Reinstein, FL 12-9)

MEXICO R. Educacion, 6185, in SP 0921; symphony mx. Vy good. (Jones, MS 12-8)

MOZAMBIQUE RM, 9619, in PT 1548-1615 since 12-10. M w/ songs, drums, etc. ID at 1600 mostly by initials RM. Nx to 1607 (chimes before and after), back to mx including instrumentals of such as Lola. Good. (Hall, CA)

PAKISTAN RP, 7010, in presumed Urdu 0133-0215* 12-9. Strong. Nx at t/in, ments of Pakistan, America and Haig. Nice local mx. Peaking 0146. Surprised to hear EG ID by W 0149 as Pakistan b'casting from Islamabad. Immediately back to Urdu w/ long talk by 2 M. Signal deteriorated

considerably by 0200. No break or pips at 0200. Clear mention of Pakistan 0214 and gone. Same style pgm 12-10 when noted 0127-0215*. (Reinstein, FL)

PNG R. Milne Bay, 3360, in EG 0843-0919; fair. Drums, tribal chant and island mx. Pips, chimes 0900, then songs, including "Gentle on my Mind." M DJ. Extreme QRN. (Hall, CA)

PERU R. San Martin, 4810, in SP 1015; fair. Nice Andean mx, M anncr, ID, QTH, more mx. (Klein, NJ)+++LV de la Selva, 4825, in SP 1009-14; poor. Constant talk by M in severe QRM/QSB. Two positive IDs 1009 and 1013. (Hall, CA 12-15)+++R. Rioja, 5045, in SP 1045; fair. Nice high Andean vocal w/ flutes, second of same, M anncr w/ clear ID, talk. Somewhat surprised by clean copy. (Klein, NJ)+++R. Union, 6115, in SP 1033; good. Pgm of mx from different areas of Peru. Llano not on. (Jones, MS 12-14)---Same, 1002. M anncr w/ tail-end of s/on anncmt, Andean flutes, ID/TC by anncr and into more mx. No Llano. (Klein, NJ)

SOUTH AFRICA R. 5, 3250, in EG 0308-21; poor. SAfr Hit Parade, M DJ, ID/TC combos. (Hall, CA 12-15)

SURINAM R. Apintie, 5005, in DT and other lang 0944; ID, TC, possible nx. Fair. (Jones, MS 12-8)

SWAZILAND TWR, 3200, in EG 0312; fair. IS and ID, into lang and Afr mx 0315. (Jones, MS 12-14)

SWITZERLAND SRI, 3985, in EG 0639-0703. Fair. Local mx pgm to 0656, ID to Eur, more mx, nx on hour. (Hall CA 12-15)

TANZANIA RT Ext. Service, 9685, in EG 1558-1615; poor. W w/ songs, drum mx, nx by M 1600-11, ID, back to drum mx to 1615 fade out. (Hall, CA 12-9)

TURKEY Turkish Police R., 6340, presumed, in lang (Turkish, I presume) *0455-0530, piano IS at 0455, NA 0457, anncmt by M to hour, local mx, and anncmts by M&W. (Lazarus, LA 12-11)

USA WPOT, 6816, in EG 0150-0230 f/out; fair at first but deteriorating. Rock mx, anncmts by "Chuck Wood," IDs and QSL address as Box 32052 Washington, DC 20007. (bares, CT 11-27)

USSR Tashkent, 4850, site listed and presumed, 0001-37 12-13. Soviet NA to 0004. RS talk by M&W to 0015. Typical RS oper? and orch mx to 0037 fade. (Reinstein, FL)+++Alma Ata, 9780 // 11950, in lang *2359-0004; both fair in QRM. IS, chimes, Soviet NA, Kazakh NA, into talk by W. Both in well despite QRM. (Klein, NJ)

VANUATU RV, 7260, in EG 0819-31, FR to 0834 fade. Poor. EG nx abt government officials, OAU, mx interlude at 0825. Nx to 0827 then mx and drums to FR nx 0831. (Hall, CA 12-14)

VATICAN RV, 6210, in Esperanto 0608; poor. IS, ID by W and into anncmts by M&W. (Hall, CA 12-3)

VENEZUELA R. Frontera, 4760, in SP 1010; very good. MoR and LA pops, Venez. harps, W anncr, ID/TC, more of same. (Klein, NJ)---Same 2335-2358. Long string of tear-jerker ballads. Several quick IDs between songs and then full ID, freqs and calls 2358. Fair. (Reinstein, FL)+++R. Turismo, 6180, in SP 0845; good. M anncr w/ talk on civic responsibility over background mx, into talk by W. What gives? (Klein, NJ)

All for this trip.

Best 73,

TBW

log report section

1600-4899



TERRY KRUEGER

- 1610 ANGUILLA Caribbean Beacon; 0300 EG "Ministry of the World" rel. pgm, ID for 690/1610/100-FM; deep, slow fade (J. Jones 11-23)
- 2340 CHINA Fuzhou; 1205 CH W, ID 1159, f (Sams 11-24)
- 2390 MEXICO R Huayacocotla; 1230 g sig. t/in before 1230 w/ "Amanecer Huasteco" SP pgm, IDs, f/out by 1300 (Hauser-OK 11-30)
- 2400H EL SALVADOR R Tiempo; 0130 many SP IDs, ments, S.S./E.S. (Sams 11-15)
- 2460 CHINA Yunnan; 1212 opera-style mx, CH tlk, het (Sams 11-24)
- 2476T CHINA ZheJiang; 1228 M&W conversation, vy. weak, CH (Sams 11-24)
- 2690T KOREA, DR Chongjin; 1240 believe Korean here w/ tlk, opera, weak and fading (Sams 11-10)
- 2745 KOREA, DR Sinuiju; 1255 Korean ID // 2850, f (Sams 11-26)
- *2767NF KOREA, DR UnID; Korean 1307 // 2745, 2775; new, f (Sams 11-26)
- 2775 KOREA, DR Hamhung; 1257 Korean // 2850, 2745, UTE QRM (Sams 11-26)
- 2850 KOREA, DR Pyongyang; 1225 oriental mx, ID 1230 (Sams 11-24)
- 2942H UnID Lam in SP 0215-0235* fair in het; no IDs. (Krueger 12-7)
- 3015 KOREA, DR Pyongyang; 1240 // 2850, opera mx (Sams 11-26)
- 3033 KOREA, DR Wonsan; 1245 long tlk; off from 3030 list, KK (Sams)
- 3200 SWAZILAND TWR; 0314 IS, EG ID, f (Sams 11-15)
- 3205 BRAZIL R Riberao Preto; 2325 PT net pgm // others (Sherman 11-30)
- Thanks for the letter... TK
- 3222T TOGO Lama Kara; 2300 EZL Afro jazz, jingle-type ID on hr., this on Saturday night GMT, f (Sams 11-27) thought always 2230*... TK
- 3225 VENEZUELA R Occidente; 0235 SP M, live nightclub mx, comedy, store ads and singing ID, local mx (Neumann, J. Jones, Marano) 1056 SP M IDs, ads, anmts (Bolland 11-21)
- *3230 PERU R El Sol de los Andes; 2315-2348 surprised to find here w/ app. live phone-in. Ments. of Bolivia and Perú, then ID by M 2330, into singing promo by a group of women 2331, M w/ ads, back to show. G at first, but giving way to noise and RTTY QRM later on. Only 3rd time ever hrd by me (Moritz 12-1) A few times this past spring/summer here, too... TK
- *3230 TAIWAN BCC-Taipei; 1320 booming in w/ CH W. Consistent here most mornings (Neumann 12-8)
- 3232 CELEBES RRI-Bukittingi; listed, nicely 1315 w/ IN M&W tlk (Neumann-AZ 12-8)
- 3235T BRAZIL R Cl. Marilia; 2325 PT net pgm // 3205, 3275 (Sherman 11-30)
- 3240 PERU R América; 2345 rock, SP rock, IDs, slight het, f (Sams 11-24)
- Golly-gee, I was hoping for R Turismo... TK
- 3245 BRAZIL UnID; 0015 mx pgm, lost in noise 0125 (Field 12-2)
- 3250 HONDURAS R Luz y Vida; 1306 dialect W, SP 1330, RTTY QRM (Neumann)
- 3250 S. AFRICA R Five; 0325 EG songs, US mx, IDs, p (Hall)
- 3255 VENEZUELA LV de El Tigre; 0240 ID, LAM pops (J. Jones) 0359* mentioning other nets' stations, M, record ad, definite ID--no R Novocientos Ochenta IDs. NA sung (Valko 11-6) Well, it wasn't catchy sounding anyway... TK
- 3265T SULAWESI RRI-Gorontalo (or Bengkulu); 1315 IN tlks, f, how do you tell the difference if no ID? (Robertson 11-16)
- *3268 UnID 1425 CH W singing, or close lang. Not Indo. Sig fading from local sunrise; would appreciate others help in IDing (Neumann 12-8)
- 3275 BRAZIL UnID 2345 w/ V of Brazil pgm, gone in noise (Field)
- 3275 SWAZILAND TWR; 0309 lang preaching not // 3240, UTE QRM (Sams 11-15)
- 3280 ECUADOR LV del Napo; 1020-1055 SP/Quechua vocals, flutes, then M ID 1025, messages, LAM pops, off abruptly 1050 (Jordan, Wilkins)
- 3285 BELIZE RB; 0102-0422 EG nx, SP nx following, ID and store ads, tlk abt. auto light switch, smoking, agriculture (Manning, J. Jones, Shortridge) your unid, Mr. Shortridge... TK
- 3300 GUATEMALA R Cultural-TGNC; 0247-0330 SP M, EZL mx, EG "Back To the Bible" (Marano, Manning)
- 3322 PNG R N. Solomons; 1051 lang, rel. svc., best of all PNGs (Valko)
- 3325T BRAZIL R Gazeta; 0047-0059 briefly before RTTY cover; PT M tlk, ads promos, etc. G when in clear, but no ID (Moritz 11-18)

- 3325 GUATEMALA R Maya; 1105 SP M, typical rel. tlk, prayer and marimbas (Klein 12-6) 0306 heavy UTE QRM, best LSB, tlk on Cuba/Nicaragua in SP (Neumann 12-8)
- 3331 COMOROS Moroni; 1800 FR ID, nx, vocals, fair (Morris-AUSTRALIA)
- 3355 INDIA AIR-Hyderabad; super level in EG 1230, w/ nx by M for five min. All local stories, EG over 1235; no ID, but into Hindu (sic) nx by W, f 11-25 only (Nikolich)
- 3360 CHINA RP; 1236 CH opera, usual px o/ Milne Bay, f (Nikolich 11-25)
- 3360 GUATEMALA LV de Nahuallá; 0253-0304* SP ID, marimbas, s/off anmts and off (Florian, Marker)
- 3365 BRAZIL R Cult. Araraquara; 2329-2343 in noise w/ ID, PT ads, tlk pgm w/ many ments of Brazil (Moritz 11-30)
- 3365I INDIA AIR-New Delhi; 1243 unmistakable Indian mx w/ sitars, etc., weak amid considerable much, 11-25 only (Nikolich)
- 3366 GHANA GBC; 2220-2248 pops, Air Supply, M, xint (Valko 11-10)
- 3375 BRAZIL R Nac. São Gabriel; 0924 PT M mx, cmnts, "Donald Duck" M cmnts. voice (Bolland 11-21)
- 3380 ECUADOR R Iris; 1114 SP ID/TC/TC, HC mx, vg (J. Jones 12-6)
- 3380 GUATEMALA R Chortis; 0250 SP, marimbas, M ID (Casrillon 11-14) 1050 SP variety mx, flutes, accordians, etc., IDs (Jordan 11-11)
- 3385 FRENCH GUIANA FR3; 2345-0029 FR pops and EG '50's tunes, FR W, mellow guitars, neat calypso tunes (Moritz, Sams) *0900 time pips, guitar IS, ID/freqs.; not on 6170 this day (Eckman, J. Jones, Bolland)
- 3395 VENEZUELA R Universidad; SP SAm mx, ID, more mx (Michaud)
- 3396 ZIMBABWE ZBC; 0330 amazing signal, C&W, greetings to listeners; also hrd. 3307 tent. (Sams 11-17)
- 3395V ECUADOR R Zaracay; 1104-1310 SP tlks, HC mx, sev. IDs, M nx and cmntry (Rigas, Bolland)
- 3400 CHINA FFBS-2; 1110 CH opera mx, W, more mx, vg (Klein 12-6)
- 3425 NEPAL RN; *1149-1315 s/on ID by W, instr. mx, M tlk (Valko, Sams, Nikolich)
- 3560 KOREA, DR Pyongyang; 1315 W tlk, f (sams 11-26)
- 3930 S. AFRICA Capital R; 1930 EG ID jingles, M anmts, pops (Morris-AUSTRALIA)
- *3775I LESSER SUNDAS RKFDPK-Sumbawa; IN W, string mx //most Indos, ID on hr., hrd only"...Radio..." of ID (Sams 11-27) is RKFDPK //others? TK
- *3804 INDONESIA UnID; 1330 //most till 1320, then local, back 1330 in //, unid site, f (Sams 11-27) Anyone else able to shed the light here?... TK
- 3810 ECUADOR HD210A; 0823 time tones, SP ID/time anmts in fair-good (Stidwell, Eckman)
- 3910 JAPAN FEN; 100 EG nx, Western mx (Terrell 11-29)
- 3930 CAPE VERDE IS. V de Sao Vicente; 2255 PT, light Western pops, M, same 2230 recheck, p (Florian 12-4)
- 3975 ENGLAND BBC; 0524 CZ, press review //6140, g (Clift 11-28)
- 3985 ECUADOR ERP; 1059-1120 SP, brief rel. pgm, ID, math lesson in SP (Wilkins 11-26)
- 3995 FRG DW; 2308-0508 GM tlk, local mx, M ID (Sams, Hesch, Clift)
- 4055 ERSFSR Kalinin; 0505 RS M&W, light mx, strong, site pres. per TBS (Krueger) 0453-0503 opera-type mx, RS M, no IS, 5-pips 0500; no ID hrd; nightly (Valko)
- 4120 KOREA, DR (CLAND.) VpPRPFR; 1300 ID, KK (Sams) 1012 (Bolland)
- 4244 BRAZIL PPR (EMBRATEL Time Sig. relay); *0125-0130* end of CW traf- fic, pause, CW pulses till 0130 and back to traffic //17194.4, 22352.5 and 22420; g. Doesn't count per NASWA, but still fun (Krueger 12-3)
- 4427H HAITI UnID pres. harm. 0210-0230*, FR M, local mx. Not //2951, so not 3x1476; f (Crawford, Krueger 12-7 & 8)
- 4635 TADZHIK SSR Dushanbé; 0142-0201 RS weak, opera, RS tlk by W be- tween songs, pips 0200, lost to QRN (Reinstein 11-15)
- 4656.6 ECUADOR CRE; 0337 SP soccer, IC 0450, tlk, f (Michaud)
- 4679.7 ECUADOR R Nac. Espejo; 0218-0501 SP ID, mx, drama pgm and TC, freqs. and off (Clift, Michaud, Bolland)
- *4710 UnID Mid-east or Islamic subcont., 0231-0310 f/out 12-8 and rarely since w/ lang. M (AR or Urdu?), local vocals. Too early for Saudi Arabia, not //Afghan-4740, f (Krueger 12-8*)
- 4719 SULAWESI RRI-Ujung Pandang; 1141 IN M cmtry, mx, singing, tlk w/ interviews (Bolland, Buer)
- 4725 BURMA BBS; 1251 M dominated vocals, sorta like Burmese version of Roy Rogers tune. Kinda weird, but happy to hear BBS again, 12-3 and other mornings (Nikolich)

- 4730 BOLIVIA R Abaroa; 0420-0435 SP tlc, clear ID 0430; tlc, MoR instrs (Jordan) 2330-0100 prob. Abaroa in most nights, noise makes readability hard, M monologue, short mx cuts local (Cartwright)
- 4735 UnID 1145-1230, also hrd, bugging me for ID. Propagates a lot like Burma-4725, but sometimes stronger, always better than Kabul-4740. Mx and LG definitely SEA/EA, altho doesn't remind me that much of some of the FRC regionals (Cartwright) Prob. Peking FS Asian pgms via Urumqui--c.f. Dec. LR-A... TK
- 4739.6 BOLIVIA R Mamoré; 0052 in mud, local mx, ID 0130 (Cartwright 11-18)
- 4740 AFGHANISTAN RA; 0138-0216 wailing, chants, M in lang, flute IS 0148 and ID (Valco, Bolland)
- 4750 CAMEROON R Bertoua; 0453 FR/EG, mx in FR 0501, EG 0503, Afro mx (Michaud) 1830 EG ID, nx, g. s/off 1844 (Morris-AUSTRALIA)
- 4750 TIBET Xizang/Llisa; 1250; nice and clear w/ typical CH opera; no sign of 9490 (Nikolich 12-3) Then how do you tell it from Heilongjiang, often hrd here?... TK
- 4756 BRAZIL R Dif. Maranhão; 0915 PT M, mx, anmts, f (Bolland 11-21)
- 4760 SWAZILAND TWR; 0310-0330* Shona tlc by M, rel. chants, sermon ID, IS, off (Lineback, Florian, Sams, Alexander, Forth)
- 4765 BRAZIL R Rural Santarem; 0835 PT M, ID as "R Rural", PT pops, more tlc, f in het (Klein 12-7) 0059 PT, clear taped ID, f-g (Sherman)
- 4765 BRAZIL R Nac. Cruziero; 1017 PT M ID, cmnts, f (Bolland 11-26)
- 4765 LIBERIA ELWA; 2140-2222 EG rel. pgming, nx, GMT TCs (Bolland, Cartwright) 0602 EG rel. mx (Clift, Manning)
- 4770 NIGERIA FRC-Kaduna; 2205-2250 "Nightcap Pgm" pops, ID, warning on girl car thieves (Benner, Viens) 0400 (Boone, Michaud, Manning)
- 4770 VENEZUELA R Mundial Bolivar; 2240-0335 LAM pops, ID, TCs, store ads (Posporelis, Marker, Rigas) 1035 (Bolland)
- 4780V HONDURAS R Júticalpa; 1101-1125 rancheras, ads, SP ID, slogans (Jordan, Wilkins)
- 4780 VENEZUELA LV de Carabobo; 2220-0420 SP ads, TC/IDs, pops in SP, nx had M&W, staff names, NA (Marano, Posporelis, J. Jones, Connell, Michaud, Alexander, Castrillon, Manning)
- 4785 AZERBAIJAN SSR Baku; 0235 RS clsc. mx, cmnts (Bolland 11-28)
- 4785 TANZANIA RT; 2040-2100* noted a few times tuning across band, then caught EG s/off amt and NA, 2100* 11-10 (Cartwright)
- 4790 PERU R Atlántida; 0840-0944 SP ID/TCs, pops (Rigas, Bolland) 2305-0400* SP/EG pops, ID, ads, long instr. NA (Roach, Thompson, Stidwell, Marker, Sherman, Michaud, Eastman)
- 4795 ECUADOR LV de los Caras; 0258 SP, ID, local mx, het (Forth 11-12)
- 4796.5 BOLIVIA R Nueva América; 2331 SP M&W, occ. mx, ID by M taped, g over 4797 het; 4730/4875 also in (Sherman 12-1) reported as tent. on 4797.1 SP, disco, poss. ID and more mx (Michaud)
- 4800 LESOTHO RL; 2015 EG gospel pgm, "Rendevous" g to s/off (Morris-AUSTRALIA)
- 4800 VENEZUELA R Lara; 0100-0358* SP IDs, LAM mx, NA (Hensley, Castrillon, Michaud, Roach, Shortridge) 1000 (Connell)
- 4811 GABON Africa No. One; 2110 FR M ments. other countries (Marano) 0505-0522 Afro brassy and bass mx, FR M ID (Earhart, Potori, Michaud)
- 4815 BRAZIL R Nac. Tabatinga; 1015 PT M mx, ID, u/HJ (Bolland)
- 4815 COLOMBIA R Guatapurí; 2340-1056 SP M IDs, net, mx, ads, sports, LAM mx (Sharpe 12-3 and 12 others)
- 4815 CHINA RF; 1245 fun to listen to CH opera, med. tempo, plenty of strings; super opening to China 12-3 (Nikolich)
- 4820 ANGOLA RN; 1900 FT ID, cmntry, PT vocals (Morris-AUSTRALIA)
- 4820 ECUADOR R Paz y Bien; 1000 SP, local fare, tlc, g (Alexander)
- 4820 HONDURAS HRVC; 0250-0400 EG rel. pgms, hymns, ID by M (Marano, Michaud, Rigas, Connell, Thompson)
- 4822 UnID 1242 lang that was definitely SEA-sounding, M, steady UTE QRM 12-3, suspect Ha Tuyen, Vietnam, but not enough to be sure (Nikolich)
- 4825 GUATEMALA R Mam; 0945 SP; vy. hvy. QRM, local mx, ID, tlc by M (Alexander 11-27)
- 4825 PERU LV de la Selva; 1008-1034 SP, nice Peruvian folk mx, M ID/TCs and back to folk mx, ments, "palabre de Dios"; g but bothered by UTE carrier on high side; fading by 1034 (Cunningham 11-6) 0500 EZL mx, full ID, app. NA, 0503*, f (Sams 11-2)
- 4825 USSR poss. Yatusk, but suspect Ashkhabad due to number of Indians and other subcont. stations in on 12-25. Hrd M in RS, then some sort of vocals, later piano mx, around 1253 (Nikolich)

- 4832 COSTA RICA R Relej; 0155-1145 SP ads, M IDs, TCs, LAm pops and EZL vocals (Marker, Reed, Michaud, Connell, Kononchik, Hesch, Hensley, Clift, Castillon, Boone)
- 4833T BOLIVIA R Grigota; 2315 SP, seems to be this ID on tape, hrd often w/ poor sigs. around this time and soon covered by 4832/4835 QRM (Sherman 12-8)
- 4835 BRAZIL R Nac. Boa Vista; 0950 PT M, QRN (Bolland) 0355 (Alexander)
- 4834.9 GUATEMALA R Tezulutlán; 0025-0109 SP ID by M, ments. of Cobán, TCs and marimbas (Potter, Hensley, Marker, Thompson) 1134 SP (Buer)
- 4835 SARAWAK RM-Kuching; 1245-1408 lang, soft tlk and mx, 1400 TC, M mentd. Kuching (Nikolich, Hensley)
- 4835 S. AFRICA SABC; 2103 EG nx by M, cmtry, not //4880 (Valko 11-15)
- 4835 USSR UnID 1155 cont. instr. mx, hvy. on strings (mandolins, violins) no anmts, TC or IS 1200. Some Relej spillover. Tent. a Soviet, f (J. Jones 11-30) Anything in a newer TBS listed?... TK
- 4840 VENEZUELA R Valera; 0345-0400 SP ID, NA (Michaud 11-8)
- 4845 MAURITANIA RN; 2133-2305 AR ID, vocals (Valko, Bolland)
- 4845 MOLUCCAS RRI-Ambon; 1145-1326 IN W ID, nonstop songs, like "Old Rugged Cross", SCI, time sigs (Buer, Florian, Bolland)
- 4850 CAMEROON RN; 2206 FR M&W, FR pops/hilife, ID (Bolland) 0530 EG ID, nx by M, "This nx comes to you in the Nat'l. Svc. of RC" (Clift)
- 4850 ECUADOR R Luz y Vida; 0943 SP typical HC mx, M&W, echo audio (Valko 11-20) 1039 SP M&W, ads, mx, ID (Bolland 11-20) 0945 SP long tlks, ments. of R Luz, p (Rigas 11-14)
- 4852.6V YEMEN, AR R San'a; 0342 AR tk, ME mx, no ID readable; ±100 Hz freq. shifts, UTE QRM (Potter 11-29)
- 4855 BRAZIL R Por um Mundo Melhor; 0007-0135 PT ads, M ID, light ballads and anmts (Florian, Jordan)
- *4855 UnID Time Station; *0054-0100* while trying for the Brazilian, caught time pips, L&C, beginning 0054 in sync w/ WWV 5 MHz 0054:30+ short second pips, skipping 29th sec., long pip on min. Off right after min. pip on hr., w/o IDs, CW or otherwise. Anybody got an idea? (Cunningham 11-28)
- 4860 ERSFSR Kalinin; RMWS EG feeder 0401-0500, ID (Valko, Michaud)
- 4860 INDIA AIR-Delhi; 1257 fast, pulsating Hindu mx w/ sitars and M, phenomenal opening to India 11-25 (Nikolich)
- 4860 PERU R Chinchaycocha; 0403 SP ID, flutes, guitars, accordians, TCs UTE QRM (Sherman, Eastman)
- 4865 COLOMBIA LV del Cinaruco; 0130-0323 SP local mx, ID/TC, ads (Castrillon, Marker, Rigas)
- 4870 BENIN LVdR; 2230-2300 FR ID, hilife and jazz (Bolland, Reed) 0511 FR talk by W, ID, hilife (Clift, Michaud)
- 4875 COLOMBIA LV del Norte; 0440 SF HJ mx, ID, freqs. (Wilkins 11-26)
- 4875 COLOMBIA R Super; 0400 SP ID, anmts, nx (Rigas 11-3)
- 4875 IRIAN JAYA RRI-Sorong; 1334 IN, slow vocals, p (Florian)
- 4880 S. AFRICA SABC; 2055 lite clscl., EG rel. 2100+, f (Florian 11-29)
- 4881 CHINA RP; *1200 IS, CH M ID, f (Valko 11-15) 1253 (Nikolich 12-3)
- 4890 HONDURAS R Lux; 0054-0301* SP rancheras, ID/TCs by M, ad strings, anmts, violins (Marker, J. Jones, Wildes, Rigas, Castrillon, Valko)
- 4890 PNG NBC; 0745-1235 EG nx, ID, ads for political parties, cars and radios; '40' Broadway mx and C&W (Terrell, Bolland, Halsema, Connell, Manning)
- 4895 BRAZIL R Bare; 0929 PT M, TCs and ID, sev. ments. Manaus, f (Potort, Wilkins) 0130 f-g, mx, IDs, sirens (Sherman)
- 4895 SARAWAK RM-Kuching; 1400-1412 lang, TC/ID by M, tlk, singing by mixed group, more tlk (Hensley 11-29)
- 4895 TURKMEN SSR Ashkhabad; 0301-0336 RS, pres. site, Mayak w/ nx to 0310, orch. mx, tlk by M, IS 0329 // 4930 both fair (Reinstein 12-7)

Maybe some out there saw the 11-15 ABC "Nightline" with SWBC to/from Poland being the topic. Interesting behind-the-scene looks at RFE/RL, VOA and the BBC were conducted, not to mention a fantastic free "plug" for Sony thanks to an establishing shot close-up of the ICF-2001 tuned to RMWS-9765!

73

Terry

log report

section

4900-6199

B

JERRY BERG

- 4900 VENEZUELA R. Juventud, Barquisimeto, rock mx, IDs, 12/1 0130-0145 (Alsbrook); orch mx, talks 11/21 0135 (Thompson-NM); fair with Top 40, 11/30 0140-0200 (Rigas-IL); mx, ads, ID 0304 11/9 (Michaud); good with rock mx 11/16 0315 (Manning); *0957 with anthem, amnts 11/27 (Alexander); at 2245 with IDs, TCs, ads, pops 11/15 (Castrillon).
- 4905 CHINA Guangxi PBS, Nanning, M&W talking 2255 on 11/21, 6 pips (5 plus last, higher pitched) at 2300, clear ID and off (Reinstein-FL).
- 4905 CHINA Peking, poor at 2253 12/5 with CC talking, fast speech, into mx (Nikolich-IL); presumed Peking, 1600-1631 11/25, CC opera, talks, heavy QRN (Sharpe-CA).
- 4910 HONDURAS LV de la Mosquitia, Puerto Lempira, fair in EG at 0103 on 11/15, religious prgm, SP at 0117 (Tedfords-MI); EG at 0111 on 11/3 to 0116, disco, LA mx, heavy fades (Valco); 11/5, EG sermon to 0117, ID simply as HRXX, fgy, hymn, pop and country mx, much improved of late, little ute activity (Cunningham); good on 11/18 at 0135, ID 0154, religious mx to 0200* (Cartwright-PA).
- 4915 BRAZIL R. Nac. Dif. Macapa, PT nx at 2245 on 11/27, poor sig (Bolland-FL).
- 4915 GHANA Accra, local language 2240 11/25, choir, discourse 2300, choir, anthem to 2305*; also 11/22 at 2259 with hymn to close (Bolland-FL); end of news at 2256 on 11/19, choral mx followed, fair with some adjacent QRM (Buer-FL).
- 4920 AUSTRALIA ABC-Brisbane, nx at 0732 on 11/20, sports, cmtry; het, QRM and fades (Valco); piano and orch mx 1020 on 11/8, nx by gal at 1100, ID, static, weak (Jordan). Also 11/21 at 1150 with mx and stn promos between songs, fair sig (Bolland-FL).
- 4920 ECUADOR R. Quito, 0317 on 12/4, LA mx, ID as "Transmite R. Quito, La Vos de la Capital" (Marker); good at 0415 on 11/28, mx, ads, ID, varied mx (Clift); and talk about a fiesta at 0428, 11/8, ID, TC 0435 (Michaud-QUE).
- 4925 EG. GUINEA Bata, good in SP at 2149 on 11/17, ID as "R. Bata, Guinea Equatorial, La Vos de Rio Muni", off 2202* (Reinstein-FL).
- 4926 BRAZIL R. Dragão do Mar, Fortaleza, fair to good on 11/18, 0302, mx, chatty discussions, IDs 0314 and 0329, spot amnt 0320, QRM, ID, gone 0333 in midst of song (Jordan).
- 4930 UNID. Female vocal classical mx, poor 0213 11/21 (Bolland-FL). Tbilisi perhaps (JB).
- 4940 USSR Kiev or Frunze (likely the former—JB), in RS on 12/4 at 2349, orch and opera mx, talk by gal, no pips, IS or ID 0000, just more mx (Reinstein-FL).
- 4940 VENEZUELA R. Yaracuy, San Felipe, vocals, orch mx, talks, IDs, ads at 0130, 11/28 (Thompson-NM); pops, TCs 0155 on 11/15 (Castrillon); at 0220 on 11/17 with romantic ballads, ID 0227 (Hensley); EG lating mx at 0306 on 11/8, TC, ID, good (Michaud-QUE).
- 4944y VIETNAM Hanoi, fair with superb SEA vocals at 1255 on 12/3, pretty vocals and instrumentals, talk by man, trumpet fanfare (Nikolich-IL).
- 4945 COLOMBIA R. Colosal, Bogotá, ID 0207, many mentions of CARACOL net, good sig 11/21 (Bolland-FL); IDs at 0247, 11/30, fair, mentions of Nic and C.Rica (Valco); TCs at 0430, 11/14, Miss Colombia beauty pageant (Castrillon); fair on 11/8, 0435, IDs, mx at 0503 (Michaud-QUE); US pops 0442 on 11/7, amnts, net ID (Clift); soft-spoken amncr with prgm of ballads at 0525, 11/26, TCs, many IDs, day and date, vy gud (Connell-CA).
- 4950 CLANDESTINE Vos de Verdade hrd 11/26, missed apparent 0330 s/on, but caught at 0335 to hear low PT talk, mentioning OAU. Herb Alpert also noted, fair (Leithner-TB); hrd 11/15 with drums at 0330 s/on, clear ID, Afro mx, fair (Sams-ARK); apparently this one, western and LA-style pop mx at 2023, "tin can rattle" signature hrd several times after 2030, prgm cut 2100, hrd 11/24 & 29 (Potter-ONT).
- 4950 SARAWAK Kuching, 1154 in lang with instrumental mx, TC, nx at 1200, fair 11/21 (Bolland-FL); EG nx at 1411 on 11/16, two IDs, nx cmtry by gal, ID 1415, then switched over to Kuala Lumpur studios (Hensley); US pop and country, 11/21 at 1507 (Grenier).
- 4956 BRAZIL R. Marajoara, Belém, here with good sigs at 0022 on 11/17, PT pops, ballads, long periods of talk mixed with ads, singing promos. Clear ID 0034 as "R. Marajoara (maybe also mentioned "cultural," but cannot tell clearly from tape) . . . Belém, Pará, Brasil" (Morits-OH).
- 4961 VENEZUELA R. Sucre, Cumana, ID, talks 0040 11/7, still talking at 0205 tune by (Alexander); ID 0320 on 11/9, "Eata es R. Sucre," TC, fair sig (Michaud-QUE).
- 4965 COLOMBIA R. Santa Fe, Bogotá, LA mx, ID 0312 on 12/4 (Marker); ID 0523, TC, good sig 11/14 (Michaud-QUE); SP mx 0608 on 11/27, good rcprn, many IDs by male amncr (Cobb-ME); and on 11/26 at 1034 with ranchera mx (Bolland-FL).
- 4970 VENEZUELA R. Rumbos, Caracas, talks, IDs, mx 0025 on 11/24 (Thompson-NM); ID at 0251, 11/28 (Marker); OM amncr, LA songs at 0425 on 11/15, ads 0455, two IDs, fgy, aked, anthem to 0458* (Hensley); amnts, ads, LA vocals, 0434 on 11/7 (Clift).
- 4975 BRAZIL R. Timbira, São Luis, talks, ads, ID, 1040, RTTY on top (Bolland-FL).
- 4975 COLOMBIA Ondas del Ortegusa, Florencia, brief fade in at 2307-2312 during lull in

- ute, hardsell ads and ID shouted by man during pop song, lost 2312, 12/4 (Reinstein-FL). (Hrd one AM here, but virtually impossible most days--JB).
- 4980 VENEZUELA Ecos del Torbes, San Cristóbal, 0234 on 11/10, LA mx, IDs, TC, nx, fair (Alsabrook); ID 0348 on 11/21, local mx, pops, TCs, fqys, anthem and s/off (Clift); SP nx at 1144 on 11/14, fair sig (Bolland-FL).
- 4985 BRAZIL R. Brasil Central, Goiânia, 2230 on 11/26 with nx, ID with Star Wars effect, good sig (Bolland-FL); R. Nacl prgm 0100-0110 on 11/7 followed by R. Central ID and local nx, good sig (Connell-CA).
- 4990 S. AFRICA R. RSA, nx cmtry at 0340 on 11/21, "Good Morning Africa," pop mx, fair (Clift); EC nx 0400 on 11/16, vy weak, //1900, supp. to be to E.Afr (Wildes-ALA).
- 4990 VENEZUELA R. Barquisimeto, pops 0345 on 11/11, IDs between each, full ID during s/off sequence, anthem, 0355* (Connell-CA); also hrd to 0357*, 11/16 (Wildes-ALA); and good on 11/20 at 1049 with YV mx (Bolland-FL).
- 5005 EQ. GUINEA Bata, Rogers & Hart tunes at 0620 on 11/26, 0630* with ID, fqys ancd as this one and 4926 (poor) (Connell-CA).
- 5005 SURINAM R. Apintie, religious prgm 0924 on 11/26 (Wilkins-CO); ID, TC, maybe nx, poor at 0944 on 12/8 (Jones-MS); rock and jazz, good at 0327 on 11/26 (Bolland-FL); EZ lating mx 0412 on 11/22, little interruption till amnt at 0432, then 0434* (Earhart-PA); EG ID 0430 11/26, "You are lating to R. Apintie, AM, FM and BM stereo," many slogans as "Happy Stn," "Happy Studio," etc., into Dutch 0500 (Boone); ID 0427 11/7, jazz, 0430* with anthem (Clift); LA mx 0532 on 11/14, good and reg this mo (Stidwell).
- 5010 CAMEROUN Garoua, N.Afr style mx at 2138 on 11/29, brief amnt, super clear sig, FR language (Florain-IL); talk to 0504 11/16, African songs, fair with QSB and QRM (Buer-FL); local mx 0520, EG nx 0531, to 0541 fade out, poor on 12/1 (Potorti).
- 5015 PERU R. Moyabamba, hrd 11/25 with mx from 0354, ID and off with anthem 0400*, lady DJ (Field); and finally hrd by yours truly, 11/21, *0933 with ID, Peruvian mx, many TCs, a little "Silent Night," nice ID 0943, but nearly gone by 1000 (JB).
- 5015 USSR Vladivostok, Mayak IS 1059 on 12/6, amnt, talking, fair-good (Klein-NJ); RS opera at 1223 on 11/21, fair (Bolland-FL); and with EZ lating mx to 1315, then a "Govorit Vladivostok" ID, is R. Tikih Okean prgm, 11/16 (Potorti).
- 5020 COLOMBIA Ecos del Atrato, Quibdó, ads, religious prgm, TC, amnts, fair 1105 11/20, and 1119 11/30 (Bolland-FL); pops 0140 11/27, male DJ, amnt, ads (Alexander); romantic vocals, SP amnts, anthem to 0402* on 11/28, poor (Clift); LA vocals 0359 on 10/22, ID, uts QRM (Valko); ballads, 0402*, 11/18 (Jordan); flute mx 0350 on 11/29, vocals, off 0403 after anthem and "muy buenos noches" (Wildes-ALA).
- 5020 NIGER Niamey, *0529 11/18, fast flute IS, FR amnts, CW but no uts; and tent. this one on 11/3, but couldn't ID that date (Valko).
- 5020 SOLOMON IS. Honiara with local nx at 0743 on 11/29, island mx, TCs, IDs 0749, 0759 (Eastman); and possibly in EG at 1110, poor on 11/21 (Bolland-FL).
- 5025 BRAZIL R. Borborema, Campina Grande, samba mx 0905 on 12/6, ID, fair-good (Klein-NJ).
- 5027 BRAZIL R. Transamazônica, Altamira, finally caught 0912 on 11/20 when ute gone, light instrumental mx, scattered IDs as I drifted off to sleep... (Cartwright-PA).
- 5030 VENEZUELA R. Reloj Continente, Caracas, EZ lating mx 0200 11/15, nx, ads, etc. (Castrillon); slow LA songs at 0245 on 11/17, many IDs (Hensley); ID 0300 on 11/10, nx (Posporelis-NY); LA mx 0315 on 11/2, chimes, CW QRM (Bauernhuber); talk and mx at 0400 on 11/11 (Stidwell); Xmas mx 0411 12/5 (Marker); EZ lating vocals at 0418 on 11/7, relaxing (Clift); spirited mx, 0436 on 11/22 (Earhart-PA); 1110 11/20 (Bolland-FL).
- 5035 BRAZIL R. Aparecida, US and LA pops 0045 on 11/23, ID 0049, into Rolling Stones. Good lvl, but a messy fgy at this QTH (Cunningham).
- 5035 CEWT. AFR. REP. Bangui in FR at 2117-2140 on 11/16, lively Afro mx, male vocals, mx similar to that on Bata (Valko).
- 5040 BURMA Rangoon, IS, ID and fgy amnt in EG at 1430 on 11/7, old time favorites from the BBC, good sig (Morris-AUSTR).
- 5040 CHINA Fujian PBS, Fuzhou, good at 1302 on 12/3, CC amnr actually using reverb; soft, slow, solemn instrumentals (Nikolich-IL).
- 5040 GEORGIAN SSR Tbilisi, pips 0300 on 12/5, Moscow ID, Kremlin chimes, anthem, weak and mixing with Maturin (Reinstein-FL); 0417-0428 on 12/14, woman in RS between instrl mx, all orchestra (Moritz-OR).
- 5040 PERU R. Libertad de Junin, 0018-0050 on 12/14 with super rustic tunes, some yipping stuff that was out of this world. Man amnr between songs, ID 0035, seldom hrd at this time by me (or others--JB) (Moritz-OR).
- 5040 VENEZUELA R. Maturin, hrd to 0358*, several IDs, fqys, anthem (Valko); and on 11/14, ads at 1015, chimes, nx, good sig (Bolland-FL).
- 5045 BRAZIL R. Cultura do Pará, Belém, mx 0758 11/26, singing ID 0903 (Wilkins-CO).
- 5045 PERU R. Rioja, *1036 11/26 with "Condor Pasa," clear ID, anthem, OA mx, weak with spillover from Poder (Jones-MS); *1029 11/27, s/on with call as OAX9L, anthem, mx, numerous TCs and IDs; "OAX9L es la señal de una estación auténticamente Peruana, R. Rioja" (Lasarus-LA); *1031 11/17, IS, ID, anthem (Cartwright-PA); and various eves after Brasil signs off 0300. Poor rpm, s/off varies 0315-0400 (Field).
- 5046 INDONESIA RRI-Jogjakarta, talk to 1215 on 11/17, many mentions of Indonesia (Buer-FL).
- 5049.5 PERU R. Esmeraldas, fair 11/17 doing fairly well at 0934 w/OA mx, occasional IDs, before Poder s/on (Cartwright-PA); tent. this one, 11/26 from 0930 with mx of the variety I associate with Peru, but weak sig (Field-MI).

- 5050 Ecuador R. Jesús del Gran Poder, Quito, good 11/17 *1024, IS, 1025 s/on, anthem, etc. (Forth-IL); business nx 1104, 11/23, good (Jones-MS); good 1106 11/10, MOR mx (Valko); ID 1111 11/20 (Bolland-FL); religious prgram 11/20 at 0011, good rcpn (Field-PI); and at 0102 11/19, talk, gentle guitar mx, ID, anthem, 0113*, good lvl, over ute (Cunning-)
- 5052 SINGAPORE R. Singapore, TC, ID 1530 11/29 (Gronier); nx 1530, rock mx (Terrell-OR) ham.
- 5055 COSTA RICA TIFC, San Jose, fair-good, some overmodulation, 0240-0338, EG (Briscoe-
IN); ID 0258 11/18, bible messages (Thompson-NM); ID as Caribbean Lighthouse 0300 on
11/15 (Tedford-MI); EG 0330, fair 11/6 (Manning); *1058, good 11/14 (Bolland-FL).
- 5055 UNID. SP stn here 11/19, s/on arnd 1025, GHT-5, but not hrd lately (JB).
- 5055 FR. GUIANA Strong FR here, *0900, also 2200 on, IDed by Klein-NJ as Cayenne (JB).
- 5055 BRAZIL R. Mauá, São João de Meriti, strong 2314, fast ads, no TIFC 12/4 (Reinstein-FL).
- 5057 ALBANIA Gjirokaster, class, mx 2117 11/15, few amts (Valko); poor-fair several
nights arnd 0400 (Barhart-PA); talk 0414 11/7 (Clift); gypsy mx 0430 11/12 (Wilkins-CO).
- 5061 Ecuador R. Progreso, Loja, ads, TCs 1011 11/26 (Wilkins-CO); TC 1012, HC mx, 11/26
(Jones-MS); nice campesino mx, exc, also 11/26, 1026 (Cunningham); 1046 11/30 (Bolland-
KARELO-FINNISH SSR Petroszovsk, RS vocal numbers 0205 11/12, short talk, more FL.
x (Klein-NJ).
- 5075 CHINA Tent. CPBS, Peking, talking 1109 11/11, FE mx, CPBS listed at other time
(Potter-ONT).
- 5095 COLOMBIA R. Sutatensa, Bogotá, talks, orch. mx 0040 11/17 (Thompson-NM); echoes,
ballads 0320 11/2 (Bauernhuber); fgy amts 0350, NA 0356, 0358*, 11/11 (Stidwell);
also hrd at 0400* on 11/7, fair under CW ute (Clift).
- 5095 PAKISTAN Islamabad, sub-cont. mx, chants, mention of Pak 1315, poor 11/5 (Sams-ARK).
- 5285 ANGOLA Temporary off-fgy operation of Luanda's 4820 xmr hrd 11/11 at 2300 by Sams-
ARK, slow speech and long pauses at 2351; later conf'd by Vcelar-S.AFR (Hauser-TH).
Nov. 11 was Angola's independence anniversary. (Interesting-JB).
- 5565 and thereabouts. CLANDESTINE R. 15 de Septiembre, many IDs 0259 12/5 (Marker);
talk, screaming 0424-0506, switching from 5560 to 5575 (Potorti); yelling 1127 11/28,
no jamming (Bolland-FL); vy strong 1149-1238+ 11/26 (Wilkins-CO).
- 5870 N. KOREA Connell's unid. here in Nov. LR-B is Pyongyang, // at least 4770 (Hewkirk-WA).
- 5900 USSR RM, fair in EG 12/4 at 1438, EZ letng mx, jazz, talk, contest (Florian-IL).
- 5920 USSR RM, fair with EG ID 2124 11/29 (Florian-IL); ID 2230, nx in EG 11/17 (Roach).
- 5935 TIBET Xisang PBS, Lhasa, CC mx to 1544, IDs 1546*, poor 11/25 (Potorti).
- 5935 LATVIAN SSR R. Riga, Moscow IS to 2130, Riga ID, nx, poor 12/4 (Florian-IL); IS 2130
11/11, Swedish IDs, cmtries, mx (Nikolich-IL); tent. this one, poor on 11/29 with
choral mx, talk at 2121, tones until prgm s/on at 2130 (Florian-IL).
- 5945 UZBEK SSR Tashkent, EG cmtry 1110 12/5, ID, // 6025 (Jones-MS).
- 5950 GUIANA Georgetown, EG 0804 11/7, ID as Ch.2 (Manning); vy gud 0909 11/20 (Valko).
- 5950 NICARAGUA LV de Nicaragua, Managua, hrd at various times between 0000 and 0600, sig
fair to vy gud (Alsbrook, Thompson-NM, Hensley, Clift, Eckman, Hesch, Michaud).
- 5954 COSTA RICA R. Casino, Puerto Limón, ID 1037 11/21, TC, patriotic slogan, ranchera
mx (Jones-MS); *1059 11/16 (Bolland-FL); ID 1100 11/12, fgy, talks, mx (Rigas-IL).
- 5960 CANADA RCI, EG world nx 0306 11/24 (Marano); contest winners 0320 11/8 (Shortridge-IN).
- 5960 W. GERMANY DW, EG political nx, ID 0524 11/5 (Manning); EG to 0550* 11/15 (Obb-ME).
- 5970 PERU R. El Sol, Lima, fine OA mx 1008, my favorite husky-voiced YL annrc (Jones-MS).
- 5980 ALBANIA Tirana, IS, Polish ID 2128 11/29, signing on, fair, ex-5960 (Florian-IL).
- 5980 COLOMBIA Rdif. Nacional, Bogotá, chimes 0953 11/20, "El Eco Informo," not there few
minutes earlier (Jones-MS); complete ID 0957 11/26, then math by radio! (Cunningham)
- 5980 EL SALVADOR R. Nacional, San Salvador, sports 1213 11/26 (Halsema); LA nx 0420 11/28,
heavily laced with propaganda, fgy clear but BBC-5975 troublesome (Jones-MS).
- 5980 SIERRA LEONE Freetown, vocals at 2308 on 12/4, nx 2330, fair in EG (Florian-IL).
- 5980 TAIWAN Voice of Asia, Kaohsiung, ID 1100 11/8, EG nx, cmtry, pops, fair, jamming
(Morris-AUSTR).
- 5980 BURMA Rangoon, ID 1445 on 11/7 as "This is the BBS, Rangoon," into nx and vx in EG,
then mx variety prgm (Morris-AUSTR).
- 5990 ROMANIA Bucharest, good in Romanian *2300 11/27 (Florian-IL); in EG at 0240 on
11/27, folk mx with amts, IS 0255, poor, //6155 slightly better (Clift).
- 5995 AUSTRALIA RA, hrd fairly well at various times between 0900 and 1300 (Valko, Rapillo,
Wilkins-CO, Hesch, Benner, Halsema).
- 5999 VENEZUELA R. Sensación, San Antonio de los Altos, pop mx 1021 on 11/21, ID, bad
het (Jones-MS). First report in some time-JB.
- 6000 BRAZIL R. Inconfidência, Belo Horizonte, fair with cmtry at 2203, 11/28 (Bolland-FL);
superb sig 0015 12/8, pops, echo jingles (Neumann-AZ).
- 6000.8 UNID. Traces of a stn here but buried early evng, arnd 2330, by Inconfidência.
Needs checking, could be interesting (Neumann-AZ).
- 6005 CANADA CFCX-Montreal, sports 1036 11/5, poor w/het (Rapillo); 1230 11/26 (Halsema).
- 6005 PORTUGAL Lisbon, PT with folk mx 0240, ID, talk, many mentions of Portugal (Clift).
- 6006 COSTA RICA R. Reloj, San Jose, fair 0822 11/26 (Eckman-IL); and good on 6010 at 0232
on 11/20, still moving arnd a bit, not anywhere on 49 mb at 1000 check (Jones-MS).
- 6010 PERU R. America, Lima, ID and MW fgy (1010) 1030 11/27, fair sig but bad het (Jones-
MS); "Amanecer Andina" 1050 on 12/3, ID for FM only 1045, there most AMs lately (JB).
- 6012 ANTARCTICA AFAN-McMurdo, TC 0900, ID as "AFAN," temps and fgy amts, PSAs, DJ with
Top 40, fair-good with polar flutter (Morris-AUSTR).

- 6015 DODEC. IS. VOA-Rhodes, fair with Eng World Rept on 11/27 at 2130-2140 (Rigas-IL).
- 6015 VATICAN Vatican R., bells at *0100 11/30, then Eng nx (Potorti); ditto 11/17 (Roach); and in SP at 0200 on 11/27, IS, ID, nx by M&W (Clift).
- 6022 PERU R. Victoria, Lima, campesino mx 1037 11/26, IDs between songs, jingles, Beethoven's 5th theme 1050, then anthem (Cunningham); commercials and OA mx on 11/23 at 1045 (Jones-MS); fair during vocal anthem *1051 11/17, quick fade (Cartwright-PA).
- 6025 BOLIVIA R. Illimani, La Paz, talk 2306 11/10, ID by gal as "R. Illimani, La Voz de Bolivia" (Valko); cmtry 0000 12/7, dramatic signal increase at 0005 (Neumann-AZ).
- 6025 COLOMBIA Looking for Illimani, found Rdif. Nacional, Bogotá here on 11/25 with clas. mx prgm, ID 0030 (Field-MI).
- 6030 CANADA CFVP-Calgary, ID as "CFPN Radio" 0803 on 11/20, wx, nx, disco (Valko); ID at 0845, then covered by carrier, poor on 11/16 (Sams-ARK).
- 6030 PHILIPPINES FEBC, EG gospel prgm 1215 11/8, ID as DZAS-702, to 1235* (Morris-AUSTR).
- 6030 UZBEK SSR R. Tashkent, ID 1209 11/26, then cmtry, het, EG, //5945 (Halsema).
- 6035 BRAZIL R. Globo, Rio, futebol at 2330 on 12/2, fair, poor on //11805 (Zilmer).
- 6035 COSTA RICA R. Nacional, San Jose, improving steadily to 0100 when knocked out by DW 11/26 (Field-MI); 11/20, nx 0028, old US pops, TCs, PSAs, vy good except for hum at times (Lazarus-LA); reduced otherwise OK sig to miserable by 0100 from DW-6040 and AFRTS-6030 (Leithner-TN); rally, applause, speeches at 0227 on 11/20 (Jones-MS).
- 6035 USA or LIBERIA U.N. Radio with U.N. nx 0240 11/7, ID, 0245*, //10869 SSB. Poor (Clift).
- 6045 BRAZIL R. CL. Paranaense, Curitiba, ads 0206 12/8, Xmas msg, many ads (Neumann-AZ).
- 6045 MEXICO R. Universidad, San Luis Potosi, IDs 0404 and 0452 11/25, poor-fair (Eastman).
- 6051 COLOMBIA R. Transamazonica, SJ del Guaviare, weak 0140 11/7, several IDs, jassy nx (Jordan); 12/8 at 0157, male DJ, IDs, trumpets, wiped out by HCJB 0200 (Neumann-AZ).
- 6055 JAPAN NSB-Tokyo, discourse by man at 1228 on 11/29, good sig (Bolland-FL).
- 6065 UNID. Barely a sig, just below Super 0125-0150 12/8, maybe Sweden in SP (Neumann-AZ).
- 6065 COLOMBIA R. Super, Bogotá, LA mx 0800 11/14, good with ID: "R. Super es un radio acción en Bogotá" (Connell-CA); IDs, TCs 0810-0820 11/14 (Rigas-IL); a little high, 6065.8, long nx report on hijackings 0125 12/8, talk on Mic, fair (Neumann-AZ).
- 6075 COSTA RICA R. Rumbo, Cartago, "Rumbo noticias" 0221 11/20, fair sig (Jones-MS).
- 6080 CANADA CKFX-Vancouver, hrd by many this mo. EG C&W mx to 0800, nx and wx, ID as "Super Country" or "CKWX 1130," 11/25 (Wilkins-CO); Willie Nelson sx 0835 11/16, ID, poor and fading (Sams-ARK); Macdonald's ad 0850 11/20 (Valko); slogan as "WX 1130" 0850 11/10, fair-good (Hall-CA); weak-fair 0846-0915 11/26, ads, 0900 nx (Forth-IL); "CKWX Country" jingle 0849 11/16, poor (Potorti); C&W 0909 11/15, ID 0926 (Lucas-CA).
- 6080 CHILE R. Patagonia Chilena, Coihaique, SP/EG ID 1133 11/28, 4 desc. notes (Connell-CA).
- 6085 COLOMBIA Ondas del Barleón, Turbo, *1015 with march mx, ID, calls, fqys, then anthem, fair sig on 12/7 but distorted somewhat by modulation (Jones-MS).
- 6090 LUXEMBOURG R. Lux, good 0000 12/2 w/nx, wx, pops (Fitzpatrick-MA); 0034 (Shortridge-IN).
- 6090 MEXICO La "U de Veracruz" with TC 0110 12/8, ID (Neumann-AZ). Aren't they on 6020? JB.
- 6100 USSR RM here 0055-0201 12/2, mixing w/YVTO, orch. mx, opera. Nailed by DW IS 0150, but still in under them. Assume not Kaunas, which is supp. to end Vilnius prgmg 2300; maybe Kurak, listed some years back, or other Euro site. Unusual, or just something I never noticed before? (Moritz-OH).
- 6100 VENEZUELA YVTO, Caracas time stn, vy poor 11/7 at 0156 (Clift); heavy QRM from DW at 0159 on 11/15 (Tedfords-MI); time pips 0816 11/5, SP, natch (Stidwell).
- 6105 BOLIVIA R. Panamericana, La Paz, gud sig, fine mx at 1041 12/14 (Jones-MS).
- 6115 COLOMBIA LV del Llano, Villavieco, exc 0203 11/28 w/usual hyper DJ (Eckman-IL); LA mx, echo ID, 0538 11/18 (Valko); ID 0540 11/25, LA mx (Boone).
- 6115 MEXICO XEUDS, R. La Voz de Sonora, Hermosillo, ID 0100 12/8, mx 0104, struggling (Neumann-AZ); clas. mx 1545 11/14, vocals, IDs, talks (Thompson-NM).
- 6115 PERU R. Union, Lima, mx from different areas of Peru 1033 12/14, gud, no Llano (Jones-MS).
- 6120 NICARAGUA R. Zinica, Bluefields, some LA pops and marimba mx at 0339-0348, ID by man, QRMed (Valko); EG at 1302 11/29, rel. prgm, fading, not understandable (Bolland-FL).
- 6145 W. GERMANY DW, 0100-0150 on 11/27, IS, ID, nx, cmtry, exc. sig (Fitzpatrick-MA).
- 6155 CYPRUS Cyprus B/C Corp., just caught signing off at 220 11/29, IS 2243, carrier off 2244 (Potter-ONT); unid. w/Koran 2238 12/7, talk, speech 2243, killed by Roumania s/on at 2257, fair sig (Florian-IL). Maybe the same? JB.
- 6155 URUGUAY R. Carve, Montevideo, nx 0002 12/1, ID as "R. Informativo Carve," then back to non-stop nx, occas. TCs and mx bridges. Weak but clear, often a het (Cunningham).
- 6160 CANADA CKZU-Vancouver, EG 0813, fair with FR mx prgm, no ID till 0904*, says s/on is "10 to 6" Monday AM (Lucas-CA).
- 6160 CANADA CKZN-St. Johns, tent. here 2335 w/talk phone-in, but vy weak, lost 2350 (Leith-0160)
- 6160 COLOMBIA Em. Nueva Granada, Bogotá, ID 0630 12/3, LA mx, man DJ (Alexander) ner-TB).
- 6172 PHILIPPINES DUEZ, Phil. B/C Svc, Manila, ID 1135 11/8 as "R.1, bud modul. (Morris-AUSTR).
- 6180 VENEZUELA R. Turismo, Valera, ID 1021 11/27, Sherwin-Wms. ad, fair (Jones-MS); ads, TCs, ID 0928 11/10 (Hall-CA); ads, mx, etc. at 1030 on 11/12 (Rigas-IL).
- 6185 MEXICO R. Educación, EZ latng mx 0705 11/19, ID (Valko); clas. mx 0921 12/8 (Jones-MS).
- 6190 PERU Presumed R. Oriente, daily *1055 w/OA anthem, but can't pull out the ID (JB).
- 6192.5 UNID. Possibly Laos (Houa Phan), 11/27 when BBC off 6195 for some reason; exotic mx, frm arnd 1115, BBC popped on 1156, ruining things. Not hrd since bec. of HBC (JB).

+++ Welcome back Jack Jones, recuperating from an illness. +++ Please remember to include your state abbrev. on each log. +++ How about some of you west coast or SW folks doing some comprehensive monitoring of the 49 mb Mexican radio scene? Needed. 75-JB.

log report section

NOTICE

PETER SCHIPELLITI, EDITOR OF LOG REPORT "C", MAILED THE COLUMN ON DECEMBER 23 BY SPECIAL DELIVERY. AS OF TODAY, DECEMBER 29, IT HAS NOT BEEN DELIVERED, SPECIALLY OR OTHERWISE. THE PRINTER HAS BEEN WORKING AROUND THE COLUMN BUT BECAUSE OF THE HOLIDAY WE CAN'T WAIT ANY LONGER. SIC TRANSIT GLORIA DE POST OFFICE.

FOR SALE: Palomar Loop Antenna, amplifier and plug-in loop for 1600-5000 kHz tropical bands. Excellent condition. Price \$65.00. Alan Plotnick, 77 Woodlawn Street, Hamden, CT 06517. Phone (203) 281-3915, not collect, please.

NOTICE: Radio Nederland has recently revised and updated its "Booklist". It is available free of charge to any listener writing to the station. The address is: "Booklist", Radio Nederland, P.O. Box 222, 1200 JG Hilversum, Holland.

FOR SALE: Realistic DX-200 in excellent condition. Seven months old. Comes with manual and original carton. Owner bought FRG-7700. Price \$135.00. Elaine Hill, Route 2, Box 201 Skyland Drive, Clinton, SC 29325.

NASWA TROPICAL BANDS GUIDE: From 2000 to 5900 kHz. Five years of North American reporters' Log Reports combined. All station information including frequency/schedule variations plus reception rarity guide for North America. Prepublication price \$2.00 in U.S., Canada and Mexico and \$3.00 elsewhere till January 31, 1982. George Sherman, Box 2284, Minneapolis, MN 55402.

NOTICE: If anyone is interested, I have the tapes of the last broadcast in English from Uganda just before the Tanzanians moved in. Just send me a blank cassette and I will make a copy and send it back to you. Eugene Paradis, 18 Maple Street, Fairfield, ME 04937.



SPECIAL feature



The following article is published with the permission of Radio Japan. It appeared in a booklet sent out by NHK entitled "HOW TO LISTEN TO RADIO JAPAN" and is probably the best information available on the SINPO code.

HOW TO WRITE A RECEPTION REPORT

Various kinds of code are used for writing reception reports. The most widely used code today is the SINPO code, which stands for the initials of Signal Strength, Interference, Noise, Propagation Disturbance and Overall Rating. Each item is classified into five scales. Best is given as 5, and worst as 1. For example, 5 in Item "S" means the signals received are fairly powerful. 1 in Item "S" means signals are barely audible. Likewise, 5 in Item "I" means no interference, and 1 extreme interference. All these are shown in the table below.

Rating Scale	S Signal Strength	I N P Degrading effect of			O Overall Rating
		I Interference	N Static Noise	P Propagation Disturbance	
5	Excellent	Nil	Nil	Nil	Excellent
4	Good	Slight	Slight	Slight	Good
3	Fair	Moderate	Moderate	Moderate	Fair
2	Poor	Severe	Severe	Severe	Poor
1	Barely Audible	Extreme	Extreme	Extreme	Unusable

In entering a reception report using the SINPO Code, you are asked to begin with Item "O", which indicates how clearly the broadcast you are listening to is audible. Each of the five scales in this item can be given as follows:

5. Excellent. Comparable to the reception of local broadcasts.
4. Good. Speech intelligible, perfectly and easily.
3. Fair. With some effort speech is intelligible.
2. Poor. With considerable effort speech is intelligible.
1. Unusable. Barely audible.
- X. Entirely inaudible.

Here are some examples of entry:

If you think reception conditions were perfect, then you write in 5 out-right in each of the S, I, N, and P columns as in the "O" column:

SINPO
55555

If you think they were good, you write 4 in the "O" column, and think over the reason why you could not give the best marks. Although you have no measure, you may think the signal is strong enough and there is no static or fading, but you cannot give full marks as there is a slight interference from another station between speech. In that case the form should be filled in thusly:

SINPO
54554

If you think the reception was not good and considerable effort was required to understand speech, the overall rating will be 2. Then let us investigate the reason why you have given a 2. The signal does not seem to be so strong and the interference is heavy; in addition there is some fading which introduces some noise. If this is the case, you should complete it thus:

SINPO
32332

NASWA ABBREVIATIONS

The following abbreviations are the ones most often used, especially by the Log Report editors. Though it might be desirable to spell out words rather than to abbreviate, the use of abbreviations permits the inclusion of more items in the space available. When reporting, you can also use the same abbreviations, but feel free to write out anything that might be ambiguous. All the times used in PRENDX, except where otherwise indicated, are in the 24-hour GMT (Greenwich Mean Time) system.

a	approximate	mx	music
ARO	Amateur Radio Operator (ham)	NA	National Anthem (or North America)
BBC MS	BBC Monitoring Service	NF, nf	new frequency
BBC WS	BBC World Service	nx	news
class mx	classical music	pgm	program
cmntry	commentary	QRK	Readability
CW	continuous wave	QRM	Interference
DJ	disc jockey	QRN	Noise (static)
EIR	East is Red	QSA	Signal strength
EL, EZ	easy listening music	QSB	Fading
FBIS	Foreign Broadcast Information Service	QTH	Geographical location
f/in	fade in	relig, rel	religious
f/out	fade out	rev	revolutionary
freq, fqy	frequency	RF, rf	reactivated frequency
fund	fundamental	s/b	should be
h, harm	harmonic	SSB	single sideband (LSB = lower sideband, USB = upper sideband)
het	heterodyne	SWC	"Shortwave Center", PRENDX
HS	Home Service	svc	service
ID	identification	t	tentative
Int	Internationale	TC	time check
IS	interval signal, identification signal	tlk, tk	talk
ITU	International Telecommunication Union	unid	unidentified
lang	unknown language	ute	utility station
lbr	letterbox, mailbag	v	varies (or very)
LL	language lesson	w/	with
LN	"Listeners Notebook"	W	woman
LR	"Log Report", PRENDX	WS	BBC World Service
lvl	level	wx	weather
lcl	local	xmsn	transmission
M	man	xmtr	transmitter
mod	modulation	//	parallel
MOR	middle of the road mx	*0000	s/on (sign on)
		0000*	s/off (sign off)

Geography:

Afr, Af	Africa(n)	LAM, LA	Latin America(n)
As	Asia(n)	NAM, NA	North America(n)
CAM, CA	Central America(n)	Pac	Pacific
ECNA	East Coast N. America	SAM, SA	South America(n)
Eur	Europe(an)	SEAs, SEA	South East Asia(n)
FE	Far East	WCNA	West Coast North America

Languages:

AK Afrikaans	EG English	IN Indonesian	RS Russian
AL Albanian	FS Farsi	IT Italian	SC Serbo-Croatian
AR Arabic	FN Finnish	JP Japanese	SP Spanish
AM Armenian	FR French	KR Korean	SH Swahili
BG Bulgarian	GM German	LH Lithuanian	SW Swedish
CH Chinese	GK Greek	NO Norwegian	TT Tahitian
CZ Czech	HB Hebrew	PL Polish	TK Turkish
DN Danish	HD Hindi	PT Portuguese	UK Ukrainian
DT Dutch	HG Hungarian	RM Romanian	VT Vietnamese

Reporting signal quality:

excellent = exo, e good = g fair = f poor = p

(SINPO and SIO codes are acceptable for reports, but in most cases editors will convert to the above format for publication purposes).

log report section

11700 TO 17699



STEVEN WISEBLOOD

- 11700 DOMINICAN REPUBLIC R. Clarin:*2200-0100 S/on w/4-trumpet notes repeated 4 times, NA, ID in SP, LAm pop & lcl ballads, M encl in SP. (Bauernhuber 10/8, Briscoe-IN 11/28). 0102-0126 "LV de CID" pgm, 2 M in SP w/speeches & mentions of Castro. IS (Valko 10/20).
- 11705 SWEDEN RS: 2300-2315 M in EG w/tlk on Sweden's Defense(Rapillo). 0248 M in EG w/nx of Sweden, brief Clscl mx. //9695. Into SP @ 0300 but not on 9695. (Earhart-PA 11/14).
- 11705 AUSTRALIA RA: 1200-1215 ID @ 1200 u/DW relay. M w/nx in EG, armts (Reed 11/13).
- 11705 MONSTERRAT DW-relay: 1290 ID, nx by M in GM, Australia QRM (Reed 11/13).
- 11709.3 ARGENTINA RA: 2334 noted in SP, measured here & responsible for the het with an UNID carrier on 11710 (Hauser-1K 11/28).
- 11710 UK VOA-relay: 2120-2130 RS tlk on the Solidarity Union. F w/weak Jammer (Rigas-IL 11/27)
- 11715 SWITZERLAND SBC: 0137-0151 EG nx of Switzerland, tlk by M&W in refugees (Earhart-PA).
- 11720 BULGARIA Sofia: 2100 EG nx, cmntry, DX nx. //9700. F-G (Zilmer-MI 11/25).
- 11730 GREECE VoG: 0130-0350 fags by W in EG, cmntry by M in EG (Bonnet-IN, Earhart-PA). 1530-1550* EG nx by M, GK mx. Poor (Rigas-IL 12/2).
- 11730 USSR (UnID): 1310-1358 tlk by M in lang., IS @ 1315, ID in EG "R. Moscow", then into nx by M in lang., Asian/Sub-Continental instrumental mx(Jordan 11/18).Krasnodar/wRTH
- 11735 YUGOSLAVIA Belgrade: *0800-0810 IS, ID, nx in lang., tlks. P (Rigas-IL 11/14).
- 11740n SWAZILAND TWR: 1600-1702 EG "Leave It To The Message" religious tlks by M, TWR ID @ 1632, TC, wx for SFAIR. Into lang. @ 1702 (Manning 12/5, Connell 11/16, Lucas 11/28).
- 11745 TAIWAN VoFC: 1317 CH tlk by W, ID in EG by M, into mx pgm to Nam. G (Florian 12/5).
- 11755 NETHERLANDS ANTILLES TWR: 0050-0100 many ID's. EG pgm armts. G (Tekulve 11/28).
- 11755 UAE Dubai: 0330-0400 EG nx, requests for reception rpts, ID, AR vocal mx. F(3 rpters).
- 11755 GABON Air #1: 0715 ID in FR by M, Afro rhythms. G (Morris-AUS 11/8).
- 11760 AUSTRALIA RA: 1520-1528* Cantonese tlk, S/off armts in EG, IS. P u/Cuba(Rigas 12/2).
- 11768 BANGLADESH RB: 1710 Sub-continental mx, tlk in Farsi-type lang., "R. Bangladesh" ID at 1710 break. Measured on 11768.O. G(Sams-AR). Heard here too, //15285 better-ScW
- 11770 UNID 0515-0600 AR type vocal mx, tlk by M in Farsi-type lang., pips @ 0600(Rigas-IL).
- 11780 BRASIL Rdf Nac: 0800-0830 ID, Bras. ballads by M w/guitars (Sharpe-CA 11/26).
- 11785 UZBEK SSR Tashkent: 1205-1213 EG nx & cmntry by W on the arms race (Stidwell 11/4).
- 11790 INDONESIA VoI: 1413 Xlnt signal w/EG pgm on India-Indo relations. (Florian 12/4).
- 117924c COLUMBIA R. Nac: 0350-0402 Clscl & Operatic mx. Good (Earhart-PA 11/22).
- 11800 ITALY RAI: 2300 Classical mx, W encl in IT (Bauernhuber 10/13). *0100-0120* IS, then 20 minutes of non-stop music(Praser-MA 11/21). On strike again
- 11800 SRI LANKA SLBC: 1715 Subcontinental mx w/variety of drums, //15120. F (Sams-AR).
- 11815 JAPAN RJ: 1409 EG cmntry on Jap gmt. P(Florian 12/4). 1800 EG Wld nx, cmntry(Connell).
- 11815 NETHERLANDS ANTILLES TWR-Bonaire: 1105-1337*IS, ID by M, fags, TC, "Morning Sound" pgm, "Chapel of the Air", "Unshackled", G(Posporellis,Benner,Alsabrook).
- 11820 EUROPEAN RSFSR Moscow-RWS: 1130-1140 EG nx, Armenian folk mx. F(Wildes-AL 11/18).
- 11825 PORTUGAL RFE: whenever I can get to a receiver, I check on Friday 2150-2200 for EG cmntry during the RFE CZ svce. This was the best fcy on 11/13, on 11/27 in OK I heard CZ only continuing on this fcy. An unconfirmed rpt says that each of the 5 lang. sections at RFE has a similar weekly EG segment (Hauser-TN). Worth Checking! -ScW
- 11825 TAHITI Papeete: 0648-0732* Polynesian vocals, TT armts. //15170(Sharpe,Valko,Jordan).
- 11830 SOUTH KOREA RK: *1600-1620 EG nx, cmntry on foreign aid, tlk on art(Wack,Hoffmann).
- 11835 URUGUAY R. El Espectador: 0055-0130 SP ads, armts, ID @ 0100, pop mx pgm(Boone 11/20).
- 11835 HAITI LVEH: 1130 EG religious pgms (Terrell-OR 11/24). A Couple of other stns here too
- 11845 FINLAND RF: 2130* IS, ID, EG nx. (Roach 11/24).
- 11850 NORWAY RN: 0800-0830* IS, ID, EG Wld & Nat nx, cmntry on arms, Press rvw.(Jordan).
- 11855 WEST GERMANY RFE: 2000-2015 CZ nx, pgm on the internal situation in Czech. P(Rigas-IL).
- 11855 CZECHOSLOVAKIA R. Prague: *0730-0740 IS, ID, EG nx, jammer against RFE (Rigas-IL 11/29)
- 11855 SAUDI ARABIA BSKSA: 1836 EG nx, weekly nx summary, into AR. F-G (Tedford-MI 11/15).
- 11860 EUROPEAN RSFSR Moscow-RWS: 1914-2100 EG "Spotlight on Sports", ID(Shorridge,Roach).
- 11880 SPAIN SPR: 2125 M&W ancls in SP, ID @ 2130. G(Hesch). *0000-0621 EG, ID, Wld nx(3 rpters)
- 11890 EAST GERMANY RBI: 0707-0727* EG discourse by W calling for economic improvement.(J'dan)
- 11890c OMAN OBS: 1530-1600 M&W ancls in AR, w/ME mx, no ID heard. P. (Robertson-GO 11/23).
- 11900 SOUTH AFRICA R. RSA: 2143-2157* EG nx headlines, ID, IS, S/off (Roach 11/14). 0158-0257 IS, ID, fags, EG Wld nx, cmntry, "Conversation Corner"(Manning,Thompson-NM).
- 11905 ITALY RAI: 0350* IS, ID, fgy sked, EG nx by W (Roach 11/24).
- 11910 HUNGARY Budapest: 0324-0329* end cmntry on Hungarian trade Unions, ID, IS(Roach 11/11).
- 11915 TAIWAN VoFC: 1039 W encl in Amoy w/discourse. CH pop mx. F (Bolland-FL 11/22).
- 11920 EAST GERMANY RBI: 0345* IS, ID, SP nx by W (Roach 11/24).
- 11925 PORTUGAL RF: 0303ID, EG nx, "Our Choice of mx" (Roach 11/11).
- 11930 NETHERLANDS RN-Lopik: 1330-1333 EG nx, cmntry, "Happy Stn". G (Zilmer, Florian).
- 11930 LIBERIA RIMA: 0625 many ID's in EG/FR, tlk by M in the vernaculars (Hesch 11/7).
- 11938 KAMPUCHEA VoPK: 1212 ID & EG nx, cmntry, acknowledgement of Morris's letters from U.S.A. & Japan, then into FR pgm @ 1225, //9695 poor. Fair (Morris-AUS).
- 11940 SINGAPORE RS: 1059-1453 W encl, ads, ID, TC, nx by W in EG, EZ1 mx, 1530 ED nx(4 rpters)
- 11940 ROMANIA Bucharest: 2014-2020 "RB Listeners Club" EG W encl, pop mx. P(Valko 10/20). 1015 M&W w/armts in EG, IS, ID, EG nx. F (Bolland-FL 11/16).

- 11945 NEW ZEALAND RNZ: 0830-1053 EG panel discussion on labour conx in NZ, nx by M in EG, EZ1/semi-C1sc1 mx, ID by M (Nikolich-IL, Holland-FL). The first airing of NZ Calling, 1st & 3rd GMT Mons @ 0215, is blocked by QRM on both 15485 & 17860, but the repeat @ 0915 comes in well here, starting with the "Begin the Beguine" prelude @ 0910, and into the pgm @ 0915 (Hauser-TN 11/16). Now on 17705 ex-17860
- 11950 KAZAKH SSR Alma Ata: 1230-1501 RS discourse by W, choral & operatic type mx, Sports nx in RS @ 1440, RS pop mx. ID @ 1500, IS & tkl in Kazakh (Rigas-IL 11/26, Jordan 12/1)
- 11950 EUROPEAN RSFSR Moscow-RMSW: 0802-0819 EG nx by W, "Nx & Views" pgm (Alsbrook 12/2)
- 11955 PHILIPPINES R. Verites Asia: 1431-1441 EG developmental tkl, ID. F (Manning 11/10).
- 11955 SINGAPORE BBO-relay: *1644-1651 ID as FE relay. into "EG by Radio". G (Hall-CA).
- 11955 ANGOLA R. Nec: 0545 lively Afro vocal mx/W yelling, //9535 (Waiko 11/25).
- 11960 ALI Benako: 0700 ID in FR, NA, Brass band mx. G (Morris-AUS 11/8).
- 11970 TUNISIA RTVT : 2230 AR tkl by M, //15225. Fair (Sams-AR).
- 11975 EAST GERMANY RFI: 0336 EG Wld nx, German nx, ID, program sked, cmntry (Roach 11/11).
- 11985 ALBANIA Tirana: *1430-1440 IS, ID, nx in Indo, IN smts. P (Rigas-IL 12/4).
- 11990 CZECHOSLOVAKIA Prague: 0329 EG cmntry on peace in Europe, ID, "Sports-Round-Up"(Roach).
- 12000 EGYPT R. Cairo: 0225-0330* "Glory of Egypt", "Listeners Mailbag", AR mx, EG cmntry on Joint U.S./Egyptian maneuvers, nx by M, ID, cmntry on Sinai. Xlnt //9475 (5 reporters).
- 12015 CHINA R. Peking: 1110 nx by W in CH. F (Holland-FL 11/23). 1240 flute/orchestral mx, tkl by M&W in Amoy, IS @ 1300 into CH nx by M&W (Jordan 11/16).
- 12025 ISRAEL Kol Israel: 2000 EG nx headlines, cmntry on Saudi proposals. F (Connell-CA 11/7).
- 12035 VIETNAM Hanoi-SP: 1111 M in EG refuting world opinion that Vietnam is using Chemical Warfare . ID. F (Holland-FL 11/23). 1250-1300* emphatic tkl by W in Cantonese, beautiful slow melody by W vocalist, brief smt by M and possible ID, brief patriotic mx then S/off. VP (Jordan 11/9). 1421 Clnal mx, ID @ 1426, off quickly @ 1427. G./10080 (Florian)
- 12070 ASIATIC RSFSR Vladivostock-RS: 1445-1458* RS pop vocal mx. "Radiostansya Rodina" ID's by M&W, S/off smts @ 1457. G w/slight QRM (Jordan 12/1).
- 12070 MONGOLIA RUB: *1158-1235* @ 1158 orchestral mx & "Govorit Moskva" ID by M, RUB IS repeated 6-times, opening ID's by W ing EG, NA, into nx by W in EG, ID by W @ 1215, cmntry @ 1225, lcl pop mx, station address. F-G (4 reporters). 1240-1315 RUB ID's by W in lang. @ 1300, nx by W in lang., USSR QRM from 1230 (Jordan 11/24)
- 12095 UK BBC: 1620-1645 2W in EG discourse on pop music trends in Eur. F (Jordan 12/1).
- 13797 ICELAND ISBS: *1830-2000* nx & cmntry by M&W in ICE., 7-gongs @ 1900, into long tkl by M, ID by W, Wld nx by M @ 1955, IS @ 2000. Here in AM/USB. Fine (9 reporters).
- 14490 SAUDI ARABIA BSKSA: 0453* Parsi tkl on how Saudi Arabia has helped Islam, TC for Kabul & Tehran, frequent mention of Jeddah & Islam in pgm. Signal was so strong that it could not have been an incidental harmonic, 7245 xmtr must have been totally mistuned. Not heard since (Hauser-TN 11/18, Sams-AR 11/17). By the way, Glenn thanks Mitch Sams for the tip, and to a Persian informant who translated his tape and told him that the speaker talks with an AR accent! -ye ed
- 14639* NETHERLANDS ARTO: Heard 10/18 with final scheduled test. Poor/weak and only copyable on LSB. Believe also on 9825.6 but far too much spatter to be certain, and whatever signal was there was suffering from so much FM it was totally uncopyable (Darling-UK 10/18).
- 15045 GRENADA R. Free Grenada: *2139-0031* Sudden S/on mid-sentence, ID's, TC's, ads, upbeat pop mx, "Powerline", "Perspective"; emotional speech by M in effort to open a new airport. Frequent applause in background. 0028 patriotic song by chorus, brief smt by W, ID by M as "RFQ, the Voice of the Revolution", sked w/fqys. G w/QSB (8 reporters).
- 15060 SAUDI ARABIA BSKSA: 1640-1725 W ancr in AR, pop mx, ME mx after 1700 (Sharpe 11/23).
- 15077 ARGHANISTAN Kabul: 1856-1926 S/on w/nx in EG, cmntry, tkl on Namibia. P-F (Manning 11/8)
- 15100 ASIATIC RSFSR Vladivostock-Voferevan relay: 0353-0400 ID, EG Armenian nx. G (Rigas-IL).
- 15105 MALTA DW-relay: 0058 IS, ID's, into EG sked w/fqys, nx, cmntry. (Thompson-NM 12/1)
- 15110 VATICAN STATE VR: 1500-1515 RG religious nx, "Weekend encounter" G (Hall-CA, Zilmer-WI).
- 15110 CZECHOSLOVAKIA R. Prague: 1430 EG nx, cmntry, Listeners letterbox. G (Zilmer 11/21).
- 15115 AUSTRALIA RA: 0750-0812 lite pop mx, tkl by M, fgy sked+targets. VG (Jordan 11/21).
- 15120 CHINA R. Peking: *0000-0057* EG nx, "The Land & The People" Xlnt (Fraser-MA 11/29). 0115-0156* EG tkl by M&W on Schools in Peking, ID, concern of Soviet missiles (Bonnet-IN, Roach). 0200-0230 EG nx by M, cmntry on ME peace plan (Shortridge-IN, Marsano 11/24).
- 15120 VATICAN STATE VR: 2328 IS, NA @ 2330, into SP tkl. G but slightly muffled (Repillo 11/4)
- 15120 NIIGERIA WGN: 1522-1630 EG nx, lively Afro hilife vocals, full ID (Zilmer, Valko 11/4).
- 15120 POLAND R. Polonia: 0200-0318 EG nx & cmntry, "At Your Request", fgy sked (Manning, Reid).
- 15120 USA UN Radio: Must have had a totally green operator on duty the Fri after Thanksgiving tho similar problems noted other days: not once, but three times, when new tapes had to be started, @ 1900, 1915 & 1930, they started at the wrong speed, had to be stopped and recued on the air. Hardly the type of amateurishness that one expects to hear on a VOA fgy! Furthermore, the announcers don't seem to know anything about SW, as around 1915 on 11/26 the wrong fgy/meter bands were given (Hauser-TN & OK).
- 15140 CHILE R. Nec: 0402* SP smts, pleasant instrumental mx. (Eckman-IL 11/28).
- 15150 CHILE R. Nec: 0345-0434 US/LAm pop mx, wx for Chile, Antarctica, Easter Is., person phoned in from Temuco w/details of major bush crash, fqys & sked @ S/off (Halsema, Boone).
- 15150 EUROPEAN RSFSR Moscow-RMSW: 1350 W ancr in EG w/Concert mx pgm. F (Hesch 11/25).
- 15150 INDONESIA Vot-Jakarta: 0800 IS, ID, EG nx by W, cmntry, G (Morris-AUS 11/8).
- 15150 WEST GERMANY DW: *1930-1940 ID, EG fgy smts, nx, //17705. G. (Rigas-IL 12/5, Reid).
- 15160 HUNGARY Budapest: 2230 EG Ancient history of Hungarian Kings (Byron-NY 11/3).
- 15160 USA VOA Correspondents Svce, formerly SP 2215-2345, has converted the final quarter hour to EG & FR for Caribbean Stns to relay, Mon-Fri, //17730, 9640 (Hauser-OK 11/27).
- 15170 TAHITI Papeete: 0330-0530 Island mx, FR & TT tkl, smts. //1730 (Baurnhuber, Marsano).
- 15170 NORWAY RN adjusted fgy from sked 15175, for EG Sun 2200 (Hauser-TN 11/15).
- 15170 EAST GERMANY RFI: 1809 EG to Nafn, nx, "Round About the GDR" (Terrel-OR 11/29).

- 15175 EUROPEAN RSFSR Armevir-Moscow HS relay: 0705-0758 mx by M in RS, ID by W @ 0715, vocal MoR mx, "Moon River" instrumental song, discourse by M&W in RS, G (Jordan 11/22)
- 15185 USA WINB: 2220 EG gospel pgm, urgent appeal for contributions (Eckman-IL 11/28).
- 15195 JAPAN RJ: *2300-2310 mx & "Current Topics" by M in EG (Wildes-AL 11/28).
- 15220 MADAGASCAR RRed relay: 20L8-2050 Afr svce., nx by W in EG "Newslite" (Alsabrook).
- 15240 ASIATIC RSFSR Khebarovsk: 0040-0059 R. Kiev relay e/EG nx & tlk(Jordan, Terrell-OR).
- 15245 ZAIRE La Voix du Zaire: 2030 pop & disco mx, M ancr in FR, many ID's. G (Witte-CA).
- 15270 LIBYA SPLAJBC: 1600 AR nx by M (Bauernhuber 11/3).
- 15290 BRASIL R Nac-Brasilia: *0200-0300* EG wx, ID, nx, sked w/fqys, Bras mx (4 reporters).
- 15295 MALAYSIA Vm: 0813-0830 W concluding tlk on Malaysian economy, ID @ 0815 (Jordan 11/19)
- 15305 SWITZERLAND SRI: *2115-2205 EG nx "Dateline", features, into GM @ 2215(Reid, Hesch).
0904 "Dateline" EG nx, tlk of Swiss youth problems. G w/RFI QRM., (Repillo 11/11)
- 15310 OMAN BBC-relay: 1422-1430 EG rpt by M on Albanian, tlk on Islam. F (Hall-CA).
- 15320 AUSTRALIA RA: 0413-0435 EG tlk on terrorism+politics in N.Ireland, ID (Earhart-PA).
- 15320 UAE Dubai: 1757-1802 AR vocalists, ID. Xlnt(Wack-VA 11/28). 0305-0411 ME mx, nx by W in EG, comparison of Greek vs. Arab mx, ID; AR pgm to 0330, EG 0330-0400(h reporters).
- 15325 UGANDA Kampala: 0315-0431* Afro singing/chanting, pgm hosted by W in EG; ID @ 0315, EG nx, EZ1 & Soul mx. ID+targets @ 0358 w/fqys & times, then into FR @ 0400(7 reporters).
- 15325 SOUTH AFRICA R. RSA: *0155-0240 IS, ID's, EG fqys, nx, cmtry, //9580,11900(h reporters).
- 15333 COLOMBIA R. Nac: 0005-0338 Clscl mx, ID by M ancr in SP, Operatic mx. G(Morris-AUS,*3).
- 15345 KUWAIT RK: 0502-0520 ID's, bestles mx, EG tlk on Voyager-II. P (Hall-CA 11/1).
- 15360 EGYPT Cairo: *2300-2305 Chimes, ID in PT, PT amnts, ME mx. Poor (Wack-VA 11/28).
- 15365 CANARY ISLANDS REE-relay: 0233 "Boletin Noticias de Canarias", SP tlk on agriculture, EZ1 & SP pop mx, clear ID, pen-pel type pgm, NA @ 0334*. Xlnt (Leithner-TN, Cunningham).
- 15375 SOUTH KOREA KBS: 2216-2230 EG cmtry on Korean-CH relations, EG nx, ID's. F (Wack-VA).
- 15375 SPAIN REE: 1858-1907 ID's by W, time ticks, into sports event (Valko 11/4).
- 15385 LIBYA SPLAJBC: 0340 AR radio drama pgm. VG (Tedford-NI 11/13).
- 15385 SEYCHELLES ISLANDS FEBA: 0406-0416 Afro? type mx, drama w/M&W in lang., IS, ID(Valko).
- 15410*USA VOA Studio One pgm, Sun 11/15 @ 2130, I was surprised to note a different one than had been played earlier in the day. With numerous press reports about internal dissent at the VOA, one can but wonder whether the first program was judged inappropriate for further airing; or was this a mixup? (Heuser-TN 11/15). On 12/22 VOA Director Bernard Kemenske announced an early retirement due to pressures from the current administration for increased emphasis on broadcasting of propaganda-SCW
- 15415 LIBYA SPLAJBC: 1520 AR vocals w/audience participation, AR tlk by M, //17930 (Florian).
- 15420 CYPRIUS BBC relay: 1401-1409 pop mx request pgm w/M ancr in EG. G (Hall-CA 10/18).
- 15425 SRI LANKA SLBC: 0030-0200 ID, M ancr in EG, TC's are *30min., pop mx, "This is the Morning Show from the SLBC", "Back to the Bible". G(Sams-AR, Marano, Robertson-CO)
- 15425 AUSTRALIA ABC-Wareroo: *2300-0000 "Good Morning, its 20 degrees(C)", EG nx, ID(Wack-VA).
- 15435 GABON RFI-relay: 2002 pop/Rock mx, ID's & FR nx by M. F at best (Valko 10/29).
- 15435 QATAR QBS: 1533 AR tlk by M, lite AR vocals. P w/AFRTS QRM (Florian 11/27).
- 15435 CHINA R. Peking: 0832-0850 mx by M to Pac., nuclear arms & economic tlk (Jordan 11/22).
- 15440 EUROPEAN RSFSR Riazan-RMWs relay: 1700 Afr Svce in EG, tlk of Agriculture. F(Connell-CA)
- 15445 BRASIL R. Nac-Brasilia: 2330 VG w/tlk discussion type pgm by several M in PT(Grosvenor)
- 15460 PAKISTAN? (Clandestine) VO United Muslim fighters of Afghanistan: 0125 Pushto? tlk of Iran, Pakistan, Afghanistan, covered by RS @ 0130. Some possible jamming. F(Sams-AR 11/1)
- 15476.0 ANTARCTICA. LRA36 San Gabriel: 2305-0108*W, M ancr in SP, full ID's every 15-minutes or so. Wide variety of music including: Disco, Clscl, Piano, Upbeat LAm pops, MoR/Contemporary, M&W in SP w/fqys as 6030, 11955, 15476. S/off amnts w/ID, NA, march & "taps"(7 reporters)
- 15485 NEW ZEALAND RNZ: 0608-0720 Live coverage of NZ elections, //11945 (Earhart, Cobb-ME).
- 15499 COLOMBIA R. Nac: 2345-0000 M ancr in SP w/ID, Ballads. F (Robertson-CO 11/11).
- 15500 PAKISTAN RP: 1700-1735 M in EG w/"Wild Svce", into AR tlk by W @ 1730(Lilley, Stidwell).
- 15505 QATAR QBS Doha: 1944-2020 Tlk by 2 M in AR, ME mx, AR nx 2000-2010. G (Reinstein-FL).
- 15520 CHINA R. Peking: *0000-0056* EG nx, cmtry, "Music from China"(Reid, Byron, Alsabrook). *0100-0156* EG nx, ID, "Let's Learn Chinese", Culture & the arts in China (4 reporters). *0300-0357* EG Wld nx and cmtry, W in EG hosting folk mx pgm(Hensley, Earhart, Sharpe).
- 15560 MADAGASCAR RRed relay: 1504 EG "Media Network". F (Florian 12/3).
- 15560 AUSTRIA ORP: 1830 EG nx. F (Zilmer-WI 12/2).
- 15560 NETHERLANDS RN: 1430-1520 EG "Happy Stn" pgm. Good (Zilmer-WI 11/29).
- 15570 NETHERLANDS RN: *1530 DT nx, cmtry. Unlisted fqy heard daily to 1821*(Zilmer 11/24).
- 15575 SOUTH KOREA KBS: 2213-2230 "Listeners Corner" pgm w/M&W in EG, EG nx & cmtry, ID & EG Svce sked w/fqys by M, into FR @ 2230. (Roach, Viena, Brouillette 11/29).
- 15585 ISRAEL Kol Issrel: 0110-0124* nice Hebrew vocals. EG "Letters from listeners"(Bonnet-IN).
- 15600 CHINA R. Peking: 1306 W ancr in CH, Oriental operatic mx by M. F (Bolland-FL 11/28).
- 16133 KIRIBATI RK: 0620-0638 LSB, Stringed instrumental mx, ID by M in EG, TC, Steel guitar mx, nx by M in EG @ 0630. Lcl vocal mx. Poor-Fair (Jordan 11/7).
- 17595 BELGIUM BRT: 1705-1750 EG nx, "Mailbag", "Brussels Calling" pgm. F(Zilmer-WI, Hall-CA).
- 17605 NETHERLANDS RN: *2030-2120* EG "Happy Stn", //21685, 17695, 15220, 9715(Alexander, Fraser).
- 17620 PAKISTAN RP: 1650-1655 EG, 5-min. of nx in EG during Turkish pgm (Zilmer-WI 12/3).
- 17640 PAKISTAN RP: 1558 no IS, but song sounding like NA. ID & Slow EG nx by M(Valko 11/4).
- 17650 KUWAIT RK: 1545 AR tlk, ID's by W, Instrumental ME mx (Thompson-NM 11/28).
- 17680 CHINA R. Peking: 0030 EG W w/story on kidnapping, //17855. G (Bauernhuber).
- Special trnx this month to: Roger Legge for keeping me up to date w/USSR newsletter, & to Dave Walcutt for RFE/RL sked w/fqys & QTH's. Tnx to you both!

73's Steve

log report section

17700 & ABOVE



BRETT SAYLOR

Greetings for the New Year! First let me thank all the faithful reporters of the past 12 months. Without all of you this column wouldn't exist. Next, let me apologize to those who sent reports directly to me and didn't see them here. In the holiday rushes I typed the column in a different QTH than my normal one and the reports were left behind. This won't occur again. Last, if reporting a station on a split frequency (e.g. 17729 KHz) or giving the frequency to the decimal (e.g. 21565.7 KHz) please indicate: 1. If the frequency was announced by the station as such, and 2. If your equipment is accurate enough to measure that exactly. I sometimes get reports from listeners who are consistently off by 1 or 2 KHz on every frequency they log. This will aid us in keeping the log reports an accurate source of information. (Conventions used here: a=approximate; m=measured or exact)

- 17700 USSR R Moscow; 1430 lang, IS, ID, what sounded like nx (Roach 11/16)
- 17705mf NEW ZEALAND R NZ; 0350-0430 EG, Polynesian mx, nx on the hr; clear after 0100 on this freq -- seems a good move (Lucas 12/1, Connell) (Zilmer, Florian 11/28)
- 17710 UNITED ARAB EMIRATES Dubai Radio; 1612-1642 EG, MEast nx #1630, ID, into AR
- 17715 SINGAPORE BBC FEast Relay; 2358-0045 EG, s/on, World Svc to 0030, EG by radio to 0045 s/off; good (Feinberg 11/21, Marano)
- 17720 USSR RM; 1934-2000 EG, folk mx, tlk on a composer; good (Manning 11/12)
- 17730 USA WINB; 1917 EG, rel pgm (Terrell 11/26) (Fraser 11/28)
- 17750 CUBA R Habana; *2050-2140* EG, "Spotlight on LAM," "The Land of Mx" pgms, poor
- 17755 JAPAN R Japan NHK; *2300 EG, nx, "Tokyo Calling"; fair (Wildes 11/8) 0300 EG, IS, ID, nx (Roach 11/10) 0400-0415 EG, ID, Asian & wrld nx, cmtry; good (Fitzpatrick 11/27)
- 17770 GUAM KTRW; 0030 EG, rel pgm, ID's each 1/2 hr (Sarkisian 11/9) rick 11/27)
- 17775 SOUTH AFRICA R RSA; 2100 EG, nx, SAfr Panorama, beamed to the U.K.; //11900, 9585; fair (Zilmer 12/2)
- 17780 SOUTH AFRICA R RSA; 0550-0603 FR, pop mx, "Flight of the Bumblebee" by a US orch, tlk (Earhart 11/14)
- 17785 USA VOA; 1500-1515 EG, nx on Reagan not passing Fed funding bill (Shortridge 11/23) 1730-1800 EG, "Studio One" w/ James Whitmore as Will Rodgers (Fraser 11/8)
- 17785 SWITZERLAND SRI; 1345-1400 GM, nx by M & W (Reed 11/27)
- 17785 INDIA AIR; 0410-0500* Farsi/AR, cf SPEEDGRAM 7/81 lists Farsi to 0430, then AR; tlk by M, MEastern mx, rel chants, nx by W #0440 (Jordan 11/20)
- 17795 AUSTRALIA RA; 0341 EG, Spectrum pgm, w/ Dick Speakman. 0348-0417 tlk, mx, world nx (Eastman 12/7, Earhart, Mayer, Halsema) 0543 FR, tlk, classical mx (Earhart) RA is trying to compensate, on paper at least, for having converted the first hr (0100-0200) of the "NAM" service from EG to FR by designating the 0200-0400 block in EG for NAM. The only programming change I notice is the moving of the last repeat of Spectrum, GMT Mon after first Sun, from 0112 to 0330 (Hauser 11/29)
- 17795 CHINA R Peking; 0100-0110 SP, s/on, nx (Manning 12/7)
- 17800 TAIWAN VOFC; *0300-0350* EG, IS, ID, nx, cmtry, best signal ever from Taiwan; ID at beginning in CH mnts "Taiwan, Taipei" alternating w/ IS, then full EG ID. Gives // 7890, 15345, 11825 (not all audible) (9 reporters)
- 17810 JAPAN RJ; 0300, 0400 EG, s/on, nx, cmtry (Mayer 11/10, Boone)
- 17810 ANTIGUA Deutsche Welle; *2000 GM, IS, ID, freq's, nx (Roach 11/11)
- 17810 PHILIPPINES FEBC; 0030-0040 EG, nx (Feinberg 11/21)
- 17825 JAPAN RJ; 0147 EG, nx (Terrell 11/21, Thompson)
- 17830 BRAZIL R Nacional; *0200 EG, "Sunday Special" pgm, nx, wx, mx, very good signal (Tekulve 11/28, Roach, Bonnet, Manning)
- 17830 UNITED KINGDOM BBC; 1620 EG, medical pgm, good but marred by QRM (Halsema 11/27)
- 17840 NORWAY R Norway; 1404-1430 EG, nx, "Listener's Corner" (Benner 12/6)
- 17840 SWEDEN SRI; 0220-0300 EG, USB, SCDX, can be much better than QRM'd //11705, 9695, as was the case 11/28 at 0300 when it stayed on in RS contrary to sked (Hauser, Reed, Terrell)
- 17840 PAKISTAN R Pakistan; 0230-0245* EG, slow speed nx (Zilmer 11/27)
- 17860 FRANCE R France Int'l; 1730 EG, "Paris Calling Africa", new contest to name the largest FR-speaking city in Africa (E Hoffmann 11/28)
- 17860 NEW ZEALAND R NZ; 0304 EG, local nx, pop mx, rel pgm "Shades of Belief", wx (Marano 11/8, Reid)
- 17860 USA VOA; 0214-0308 EG, nx, "Dateline" pgm, fair-good (Halsema 11/28, Roach)

- 17870 USSR R Vilinus; 2315-2330 EG, nx of Soviet life, ID, address, s/off (Mayer 11/9)
R Kiev; 0300-0330 EG, nx, cntry, facts on Ukraine (Bauernhuber, Manning 11/13)
0330-0400 Armenian/EG, Arm nx, mx, into EG #0352 (Jordan 11/14, Reid, Boone)
- 17870 LIBERIA VOA; 1615 EG, nx, Magazine show (Thompson 11-24)
- 17875 CANADA RCI; 1625 GM, nx (Halsema) 2133-2200 EG, nx, DX Digest (Manning 11/14)
- 17875 INDIA AIR; 1020-1057 EG, Indian mx, rvw of Indian press, sports; g (Stidwell 11/7)
- 17880 ECUADOR HCJB; 0040-0100 EG, cntry on human communications (Fitzpatrick 11/30)
- 17880 PORTUGAL R Portugal; 1716 EG, tlk on FT football; poor (Hall 11/8)
- 17895 RWANDA DW Relay; 2200-2215 GM, ID, s/on into nx (Reed 11/13)
- 17920 EGYPT 1300-1330 EG, tlk by W, mx, Asian Svc; poor (Reed 11/27)
- 17930 LIBYA SPLAJBC; 1700-1928 AR, 0145-0200 AR, chimes, nx, political cntry's w/ mnt
of Chad, Tanzania, Czechoslovakia, America; speeches (by Khadafi?) and AR mx,
time pips (3) on the hour; good (Valko, Rigas 12/4, Sharpe)
- 19637 AFGHANISTAN R Afghanistan; (LSB feeder) 1305-1345 Dari (presumed), nx, local mx,
ID #1330; good (Jordan 11/6)
- 21455 GREECE V of Greece; 1533-1550* EG, nx by W, ID's, into GK #1550 (Valko 11/4)
- 21460 GREECE VOG; *1500-1520 GK, IS, ID, freq ann, nx, GK mx, new freq-ex 21455
poor (Rigas 11/26)
- 21465 EAST GERMANY R Berlin Int'l; 1408 EG, information in brief (Zilmer 11/27)
- 21477.5 ECUADOR HCJB; 2130-2200 EG, rel tlk to Europe; freq actually ann'd as 21477.5
KHz at 2130 -- a bit unusual for this stn -- and avoids VOA 21485 (Brouillette)
- 21475 FINLAND RF; 1215 EG, "Fresh Air" sports pgm; good (Hesch 11/3) 1300 EG, Northern
Report, interviews, Finnish Rock (Eckman 11/28) 1430-1500 EG, Northern Rpt, North
ern Lights pgm (Boone 11/25)
- 21480 ECUADOR HCJB; 2130-2200 EG, DX Party Line, //15305, 17790 (Bauernhuber, Hoffmann)
- 21505 CZECHOSLOVAKIA R Prague; 1430-1440 EG, ID, IS, nx, cntry, QRM de Saudi Arabia
(Rigas 11/26)
- 21525 BELGIUM BRT; *1335-1405 EG, ID, s/on, into nx, mx (Jordan 11/25, Hall)
- 21570 SWITZERLAND SRI; 1325 EG, 1540 EG, "The Great Saturday Grapevine" pgm answering
listener's letters; good (Grenier 11/29, Hesch)
- 21585 IRAQ R Baghdad "Voice of Arab Syria"; 1832-1952 AR, 1952-1955 EG, tlks by W in
AR then ID at 1952 as "Id'haat al Saut ul-Souriya al Arabiya". Then ID by M in EG
as "Good evening ladies and gentlemen, from the Voice of Arab ... (???)... this is
the Voice of the Syrian People" then into nx and cntry in EG; then at 1955 the
closing in EG by M, tlk in AR, another AR ID as above, then somebody's (1) Nation
al Anthem. Beware published loggings of this as Syria itself; this is a well-est
ablished clandestine pgm from Baghdad; low modulation but a good level (Cunning-
ham 11/3, also Jordan, Pedfords, Manning)
- 21590 PAKISTAN RP; 0155 Urdu, ID two times by W, mx, nx; very strong (Marano 11/9)
- 21615 SWEDEN RS; 1400-1430 EG, "Saturday Show", "WeekDay Tuesday" shows, mx, nx
(E Hoffmann 12/1, Hesch, Byron, Kononchik)
- 21655 UAE Dubai; 1628-1641 EG, ID, nx, fair (Roach 11/16, Kononchik)
- 21655 NORWAY RN; 1624 EG, Mailbag pgm, co-ch QRM from Dubai (Florian 12/6)
1615 NO, listener request pgm, EG plug for "Norway This Week", NO nx, followed
by SP nx #1625 (Reid 11/28)
- 21685 NETHERLANDS R Netherlands; *1930 DT, IS, ID, nx, "Kontext" pgm (Roach 11/10)
- 21695 UAE Dubai; *1610-1643* EG, "Sunshine Station" ID, cultural info, ID, mx from
1950-60's, world & local nx (Kononchik 11/11)
- 21700 NORWAY RN; 1800 EG, nx, replaces 21705, and is //17840 (Zilmer 11/29)
- 21710 USA UN Radio; 1910-1959* EG, feature on women, s/off w/ W in EG giving beams &
ID; fair (Valko, Terrell 11/19)
- 21720 PORTUGAL RFE; 1345 CZ, popular songs of Diana Ross, some jamming (Zilmer 12/1)
- 21810 BELGIUM BRT; 1335-1405 EG, nx, interviews, s/off, //21525 (Manning 11/12)
1706-1722 EG, Brussel's Calling, nx (E Hoffmann)
- 24020h ASCENSION ISLANDS BBC WS; 2048 EG, 4x6005 KHz; earlier in the day Moscow was
hrd here, 2x12010 KHz (Hauser 11/15)
- 25615 NORWAY RN; 1400 EG, nx (Zilmer 11/29) 1605-1630 EG, "Norway This Week" (Hoffmann)
- 25650 UK BBC; 1430-1515* EG, "Frank Muir Goes Into ----", Radio NxReel pgms (Fraser)
- 25730 NORWAY RN; *1400-1430* EG, "Norway This Week"--literature; //25615 better (Fraser)
- 25790 SOUTH AFRICA R RSA; 1400-1420 EG, Africa Today w/ nx, Touring RSA, good (Short-
ridge)
- 26000 PHILIPPINES VOA; 2214-2220 EG, nx in Special EG, "Time For Jazz",
(Hall)
- 26020 ECUADOR HCJB; 1442-1530 EG, "StoryTime", //17890, 15115; poor (Kononchik 11/7)
2150 EG, "DX PartyLine" into JP at 2200; good (Fraser 11/7)

Thanks again for staying with LR-E this past year. I'd like to wish each of you a healthy and prosperous New Year. Don't forget to contribute as often as you can this year!!!

73's,

Brett Saylor

P.S.: Thanks Dave Walcutt!

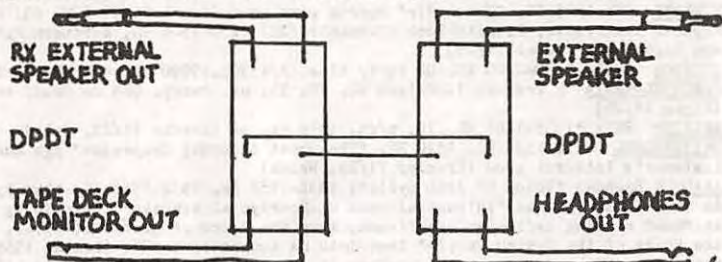
ANTENNAS/ACCESSORIES

EDITOR: Mike Agner C/O Pa. Blue Shield Erford Rd. Bldg W6E1 Camp Hill Pa 17011

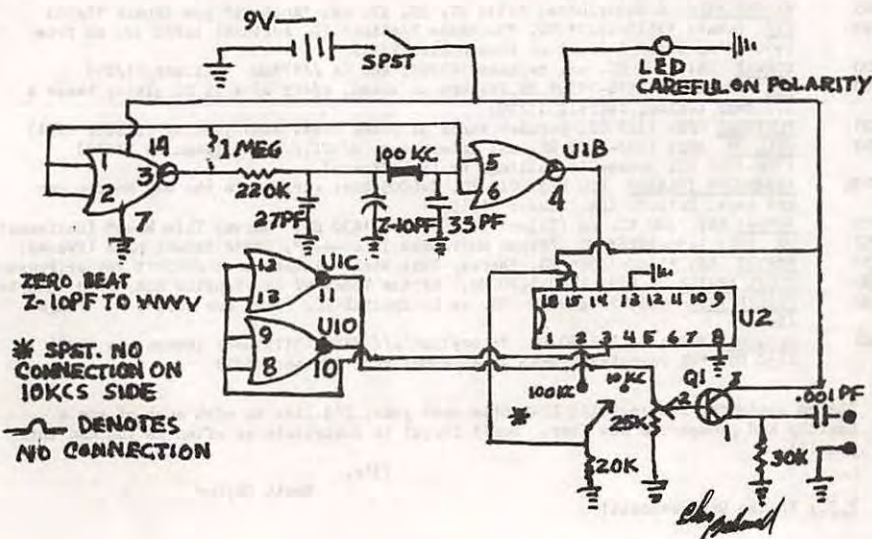
Hi everyone! By the time you read this, it will probably be cold and raw outside, so this time we present some projects for you to build. Onward.

FROM THE "GEE WHIZ WHY DIDN'T I THINK OF THAT" DEPT...

Zack Schindler of Mich. send in this neat 2 switch setup to switch between his R1000 and a Panasonic RQ2133 cassette deck, and also between his headphones and speakers, but I bet others with similar gear could use this too. It looks like what we have below. Thanks, Zack!



For those who still use DX150s or that generation of receivers with crummy calibration, Al Schlaugat of Wisc. sends in this schematic for a simple crystal calibrator. U1 is a 4001 IC, U2 is a 4017 IC (make, A1? mja). Q1 is a 2n3904 or 2n2222. (We could use working voltages on the resistors and caps, Al. mja). We hope to have the accompanying article next time. Until then, 73s and catch you on 60!



HAP BID ITEMS: #166: Deutsche Welle(Germany)sticker(3.5x5.5")blue,B&W. #167:Deutsche Welle sticker(3x4.5")red,white,blue. #168:Deutsche Welle sticker(4.5x4.5")red,B&W. #169:Deutsche Welle cloth pennant(6x13")blue,white. #170:Deutsche Welle lapel pin,blue,white. #171:Voice of Indonesia sticker(4x5.5")green,blue,black. #172:Radio RSA(South Africa)sticker(3.5x5.5) yellow,black. #173:RTE Radio 2(Ireland)"Stereo Nationwide"pencil. #174:RTE Radio 2 pen, gold,black-nice! #175:RTE Radio 2 sticker(2.5"cir)m/c. #176:WCCI metallic sticker(3.5x4.5) silver,blue-nice! #177:Radio Chiocciola(Italy)sticker(2x19")m/c. #178:TeleRadio Milano 2 (Italy)sticker(1"cir)2 stickers and one with a color shift! #179:WDR Fernsehen TV(Germany) large and very beautiful station posters-very nice!! #180:WWON station pen. #181:CBC South west Ontario heavy duty plastic litter bags,white,gold. #182:WVVI(Virgin Islands)sticker (3.5x5.5")blue,white. #183:BBC "Tropical Tapes"poster(16.5x23")beautiful! #184:KHU"Cowboy" metal badge(1.5"cir)m/c. #185:WWON ice scraper,m/c. #186:Radio Rhema(New Zealand)poster (11.5x17.5")m/c. #187:Radio RSA plastic hot plate(4"cir)silver,blue. #188:Radio RSA pen, blue. #189:Radio RSA pen,orange. #190:Radio RSA lapel pin,silver,black. #191:Radio Rumbo (Costa Rica)3 different stickers,m/c,beautiful!! #192:KLOS heavy duty balloon,orange and black. #193:Radio Waikato(New Zealand)sticker(3x9.5")wing shaped,red,white,blue. #194: KLOL reflective sticker(3.5x12")m/c. #195:BBC-World Service(UK)metal badge(1.5"cir)white, red,blue. #196:WPLR "Rock"key chain,red,white. #197:Radio Nederland stick pin,m/c. #198: Radio Peking plastic pennant "Mountain Village"(5.5x10.5")m/c. #199:Radio France International cloth pennant(4x8")blue,white. #200:BRT paper pennant(4x8")m/c. #201:Radio Canada International vinyl pennant(4.5x9")red,white. #202:Radio Nederland cloth pennant(4x6")m/c. #203:KEKZ "Rainbow"decals,m/c,beauty! #204:Radio New Zealand paper pennant(3.5x8.5")orange, yellow. #205:Radio Veritas(Philippines)paper pennant(3x5.5")red,blue,black. #206:Radio San Sebastian(Spain)paper pennant(4x6")blue,B&W. #207:Radio Budapest cloth pennant(4x7")m/c. #208:Radio RSA cloth pennant(5.5x10.5")m/c-beautiful! #209:Radio Peking station pin,m/c. #210:Radio New Zealand paper pennant(3.5x8.5") 2 tone blue. #211:Radio Sweden paper pennant (4x8.5")yellow,blue. #212:CBC Northern Quebec Service vinyl pennant(3.5x8.5")blue,white. #213:CBC Northern Service vinyl pennant(3.5x8.5")blue,white. #214:Radio Mexico cloth pennant(6x8.5")m/c-old style. #215:CFSX(Newfoundland)station pencil-beautiful! #216:KRXX(Alaska)station pen-rare! #217:Radio Forth(Scotland)metal badge(1.5"cir)orange,B&W. #218:WLPX metal badge(1"cir)yellow,black. #219:Radio Budapest 6 different m/c postcards. #220:Radio France International plastic tote bag(14.5x17")red,white,blue-super! #221:CFTR metal badge (2"cir)orange,blue. #222:KIRO key chain,blue,white.#223:Radio Forth key chain(3"cir)red, B&W. #224:4ZA Radio Southland(New Zealand)metal badge(2"cir)red,white,blue-beautiful! #225:WRXL "XL-102 Air Force"wing shaped station badge-very nice! #226:Radio Mexico cassette tape of beautiful Mexican music-studio quality! #227:Radio Renascenca(Portugal) cassette tape of Portuguese music-studio quality! #228:Radio RSA key chain,orange,blue. #229: HCJB paper pennant(4x9")yellow,black.....Hope you like these items...Sam.

DIRECT SALE ITEMS: The following stickers/decals are \$.25 each or any five for \$1.00. (Please make your minimum order at least \$1.00!). New since last issue: KSYN,KMOX,WJVA,new WRCK, KCBS,WLPX,KATR,KBDF,CFMI,KBDF-1280,KING. We also have in stock: CKLM,WEEX,WIRE,CBE,WDIA, CHEX,Radio Polonia,Roz Radio,WQMF,WRKT,WRXL,WOWO,Radio Canada International,CKNX,CKNW,KJR, Swiss Radio International,Radio Tees,Radio Rhema,Piccadilly Radio,WAEB,KLTE,WKY,WEW,WAWA, WLUP (loop),WLUP (rock),WRVQ,WINS,KLSW,WMET,KLAC,WPLR (large),WPLR (small),1ZB (large),1ZB (elephant),WDOV,KREM,Canadian Forces Network-Germany,WWVE,WFGC,WNYN,KNIX,WNNI,WQHI,KROY, WYSL,WNSW,WPPR,KYMS,WHAL,WKTI,WCFL (large),WCFL (small),WDET (large),WDET (small), and WKLC.

ADDITIONAL DIRECT SALE ITEMS: Iron-on T-Shirt decals from WQFM,WEMM,WNUW and KOOL at only \$.50 each: ORF station pin at \$.25 each: WRCK station napkins at \$.25: WPEZ paper hat at \$.50: CBC tote bags at \$1.00 each: metal station badges from Radio City-194,WMET,CFTK, KZAM and KZAM "5th Anniversary" at only \$.50 each: 3 different Radio Nederland stickers for only \$1.00: Iron-on patches from WSAN,WLPL and WKZA at only \$.50 each: Plastic station ID cards from WLS,KREM,KMKJ and WBMX at \$.25 each: Radio London B&W mini-poster at \$.25: Radio Caroline B&W mini-poster at \$.25 each: stickers from Radio El Mundo,Bremen-TV,Radio Noord(white,blue),3CV,Radio Vatican paper pennant at only \$.50 each!

SPECIAL OFFER: Fifteen (15) different Italian stickers/decals for \$5.00...Real beauties! For a limited time only we are offering the following stickers/decals at \$.25 each: HCJB, Radio France International,Radio France International(large),BBC-World Service,ABC-Perth, 3MP,Radio City,ORF-Austrian Shortwave Service,BDN,ABC-TV2,6WF,and Radio France International 50th Anniversary.....Have a very good New Year.

ADDRESS: Send your orders for direct sale items and your bids to Sam Barto, 460 Emmett St., B-19, Bristol, CT. 06010 USA.

NOTE: We now have @ 200 Happies on our membership list. If you would like to help one out or meet one who resides in your area please write to HAP-USA, Inc. c/o Al Schwaneke, Route 4, Box 32, Rolla, MO. 65401. Although these people are only a small part of the overall numbers in our hobby, they still need your support and assistance....Sam. Your donations throughout the year have been appreciated very, very much. We at HAP-USA thank you. If you are looking for any particular types of items from anywhere in the world please let me know. We have an enormous stock of unadvertised items. We would like to get our shelves cleared off. Just let me know what you want and I'll try to get it for you. If you desire you may call (203)589-0083 anytime after 6PM EST.Sam.

NASWA "UNITY AND FRIENDSHIP"

PUBLISHES FRENEX MONTHLY

NASWA MEMBERSHIP FEES:

First Class North America.....	\$16
Overseas, Surface Mail.....	\$16
Airmail to Central America, Caribbean, South America, Europe.....	\$25
Airmail to Asia, Africa, Pacific.....	\$28

All remittances must be in U.S. funds and mailed to: NASWA, P.O. Box 13, Liberty, IN., 47353, U.S.A.

Update: Besides FRENEX, NASWA also publishes UPDATE....a mid month newsletter with the very latest DX news while it's still news. (UPDATE also appears in each issue of FRENEX). It is only available to NASWA members.

"UPDATE" SUBSCRIPTION RATES PER YEAR:

North America (First Class).....	\$4.00
Overseas (Airmail).....	\$6.00

Sample copies of FRENEX and UPDATE are available for \$1.00 in N.A.
Overseas.....\$2.00

EXECUTIVE DIRECTOR & PUBLISHER - Bill Oliver, 45 Wildflower Road, Levittown, PA 19057

BUSINESS MANAGER & TREASURER - Mac Leonhardt, P.O. Box 13, Liberty, IN 47353

SHORTWAVE CENTER - John Moritz, Jr., 4779 Pine Trace, Youngstown, OH 44515

LISTNERS' NOTEBOOK - Glenn Hauser, Box 6287, Knoxville, TN. 37914-0287

QSL REPORT - Sam Barto, 460 Emmett St., Apt B-19, Bristol, CT 06010

UPDATE EDITOR - Tom Alleman, 615 43rd Terrace, Apt. 6, Kansas City, MO 64111

DISTRIBUTING EDITOR - Terry Colgan, 8120 Ripplewood Drive, Austin, TX 78758

LOG REPORT (A) - Terry Krueger, 84 S. Winter Park Drive, Casselberry, FL 32707

LOG REPORT (B) - Jerry Berg, 38 Eastern Avenue, Lexington, MA 02173

LOG REPORT (C) - Peter Schipelliti, 31 Beaverbrook Road, Burlington, MA 01803

LOG REPORT (D) - Steve Wiseblood, 707 Loma Way, Santa Maria, CA 93454

LOG REPORT (E) - Brett Saylor, 750-G Mickleby Run Apts., Whitehall, PA 18052

SCOREBOARD - Jerry Lineback, Apt. 1708, 1000 Greens Road, Houston, TX 77060

AWARDS CHAIRMAN - Dan Henderson, 7921 Anfred Drive, Laurel, MD 20810

COVER DESIGNS - Wesley Thompson 454 Pheasant Drive, Huntingdon Valley, PA 19006

COUNTRY LIST CHAIRMAN - Don Jensen, 5204 70th St., Kenosha, WI 53140

U.K. REPRESENTATIVE - Alan Thompson, 16 Ena Ave., Neath, W. Glamorgan, Great Britain SA 113AD

FIRST CLASS MAIL

NORTH AMERICAN SHORTWAVE ASSOCIATION

45 Wildflower Road

Levittown, Pennsylvania 19057

FIRST-CLASS MAIL

U.S. POSTAGE

PAID

Levittown, Pa.

Permit No. 319